

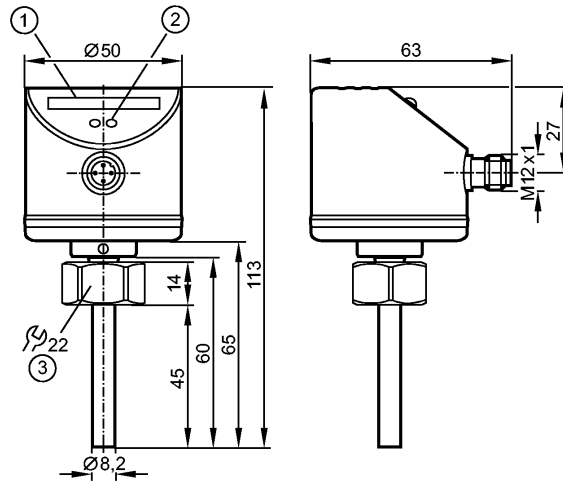


SI5002

SID10ADBFPKG/US-100



Flow sensors



- 1: LED display
- 2: setting pushbutton
- 3: tightening torque 25 Nm



Product characteristics

Flow monitor

Compact type for adapter

Process connection: internal thread M18 x 1.5 for adapter

Probe length: 45 mm

2 switching outputs

Setting range: 3...300 cm/s (liquids)

Application

Application	liquids and gases
Pressure rating [bar]	300
Medium temperature [°C]	-25...80

Electrical data

Electrical design	DC PNP
Operating voltage [V]	18...36 DC
Current consumption [mA]	< 60
Protection class	III
Reverse polarity protection	yes

Outputs

Output function	2 x normally open / closed programmable
Current rating [mA]	2 x 250
Voltage drop [V]	< 2.5
Short-circuit protection	yes (non-latching)
Overload protection	yes

Measuring / setting range

Liquids	
Setting range [cm/s]	3...300
Greatest sensitivity [cm/s]	3...100
Gases	
Setting range [cm/s]	200...3000



SI5002

SID10ADBFPKG/US-100



Flow sensors

Greatest sensitivity	[cm/s]	200...800
----------------------	--------	-----------

Accuracy / deviations

Switch point accuracy	[cm/s]	$\pm 2... \pm 10$ *)
-----------------------	--------	----------------------

Hysteresis	[cm/s]	2...5 *)
------------	--------	----------

Repeatability	[cm/s]	1...5 *)
---------------	--------	----------

Temperature drift	[cm/s x 1/K]	0.1 **)
-------------------	--------------	---------

Max. temperature gradient of medium	[K/min]	300
-------------------------------------	---------	-----

Reaction times

Power-on delay time	[s]	10
---------------------	-----	----

Response time	[s]	1...10
---------------	-----	--------

Software / programming

Adjustment of the switch point		pushbuttons
--------------------------------	--	-------------

Interfaces

IO-Link Device		
----------------	--	--

Transfer type		COM2 (38.4 kBaud)
---------------	--	-------------------

IO-Link revision		1.1
------------------	--	-----

SDCI standard		IEC 61131-9
---------------	--	-------------

IO-Link Device ID		51 d / 00 00 33 h
-------------------	--	-------------------

Profiles		Smart Sensor: Process Data Variable; Device Identification
----------	--	--

SIO mode		yes
----------	--	-----

Required master port class		A
----------------------------	--	---

Process data analogue		2
-----------------------	--	---

Process data binary		2
---------------------	--	---

Min. process cycle time	[ms]	3.0
-------------------------	------	-----

Environment

Ambient temperature	[°C]	-25...80
---------------------	------	----------

Storage temperature	[°C]	-25...100
---------------------	------	-----------

Protection		IP 65 / IP 67
------------	--	---------------

Tests / approvals

EMC		DIN EN 60947-5-9
-----	--	------------------

Shock resistance		DIN IEC 60068-2-27: 50 g (11 ms)
------------------	--	----------------------------------

Vibration resistance		DIN EN 60068-2-6 20 g (55...2000 Hz)
----------------------	--	--------------------------------------

MTTF	[Years]	277
------	---------	-----

Mechanical data

Process connection		internal thread M18 x 1.5 for adapter
--------------------	--	---------------------------------------

Materials (wetted parts)		stainless steel 316L / 1.4404; O-ring: FKM 8 x 1.5 gr 80° Shore A
--------------------------	--	---

Housing materials		stainless steel 316L / 1.4404; V2A (1.4310); PC (polycarbonate); PBT-GF 20; EPDM/X
-------------------	--	--

Probe length L	[mm]	45
----------------	------	----

Weight	[kg]	0.238
--------	------	-------

Displays / operating elements

Function display	LED	10 LEDs, three-colour
------------------	-----	-----------------------

Electrical connection

Connection		M12 connector
------------	--	---------------



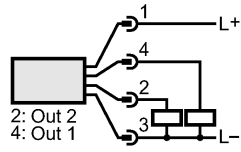
SI5002

SID10ADBFPKG/US-100



Flow sensors

Wiring



Pin 4: IO-Link

Remarks

Remarks

*) for water; 5...100 cm/s; 25°C (factory setting)
**) for water; 5...100 cm/s; 10...70°C

Pack quantity

[piece]

1