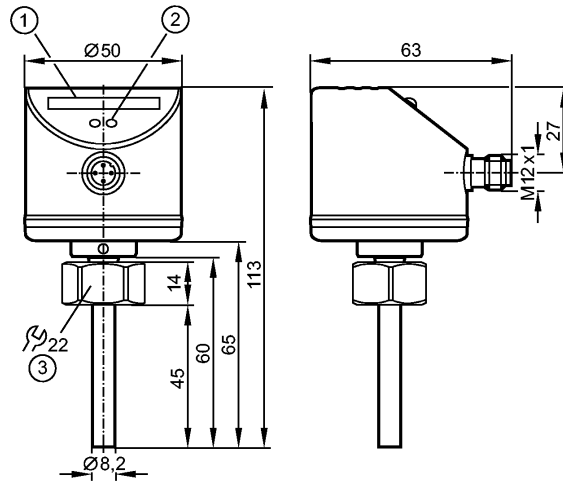


**SI5004**

SID10ADB10OG/

**Flow sensors**

- 1: LED display
 2: setting pushbutton
 3: tightening torque 25 Nm



Product characteristics

Flow transmitter
Compact type for adapter
Process connection: internal thread M18 x 1.5 for adapter
Analog output
Setting range: 3...300 cm/s (liquids)

Application

Application	liquids
Pressure rating [bar]	300
Medium temperature [°C]	-25...80

Electrical data

Electrical design	DC
Operating voltage [V]	19...36 DC
Current consumption [mA]	< 60
Protection class	III
Reverse polarity protection	yes

Outputs

Output function	4...20 mA analog
Overload protection	yes
Analog output	4...20 mA, max. 22 mA
Max. load [Ω]	500

Measuring / setting range

Liquids	
Setting range [cm/s]	3...300
Greatest sensitivity [cm/s]	3...100
Gases	
Setting range [cm/s]	-

Accuracy / deviations

Repeatability [% of Sr]	1...5 *)
-------------------------	----------



SI5004

SID10ADB10OG/



Flow sensors

Temperature drift	[cm/s x 1/K]	0.1 **)
Accuracy	[% of the final value]	± 2...± 10 cm/s *)

Reaction times

Power-on delay time	[s]	10
Response time	[s]	1...10

Environment

MAWP (for applications according to CRN)	[bar]	208
Ambient temperature	[°C]	-25...80
Storage temperature	[°C]	-25...100
Protection		IP 67

Tests / approvals

EMC		DIN EN 61000-6-2 DIN EN 61000-6-3
Shock resistance		DIN EN 60068-2-27 50 g (11 ms)
Vibration resistance		DIN EN 60068-2-6 20 g (55...2000 Hz)
MTTF	[Years]	259

Mechanical data

Process connection		internal thread M18 x 1.5 for adapter
Materials (wetted parts)		stainless steel 316L / 1.4404; O-ring: FKM 8 x 1.5 gr 80° Shore A
Housing materials		stainless steel 316L / 1.4404; stainless steel (304S15); PC; PBT-GF 20; EPDM/X
Weight	[kg]	0.234

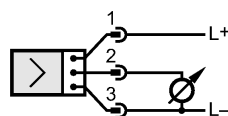
Displays / operating elements

Function display	LED	10 LEDs, three-colour
------------------	-----	-----------------------

Electrical connection

Connection		M12 connector
------------	--	---------------

Wiring



Remarks

Remarks		*) for water; 5...100 cm/s; 25°C (factory setting) **) for water; 5...100 cm/s; 10...70°C
---------	--	--

Pack quantity	[piece]	1
---------------	---------	---