

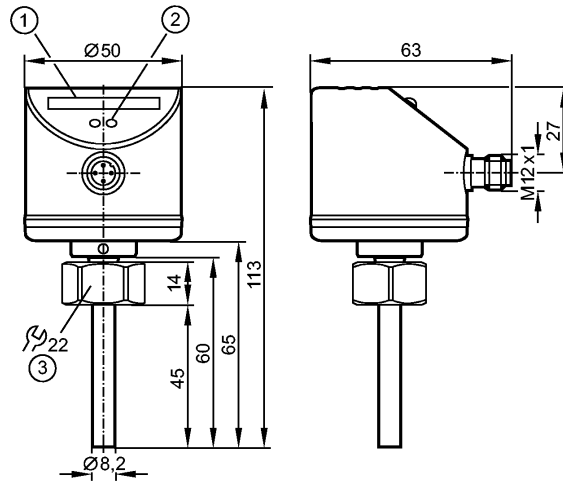


SI5007

SID10ADBFPKG/US-100



Flow sensors



- 1: LED display
- 2: setting pushbutton
- 3: tightening torque 25 Nm



Product characteristics

Flow monitor
Compact type for adapter
Process connection: internal thread M18 x 1.5 for adapter
Probe length: 45 mm
2 switching outputs
OUT1: flow monitoring
OUT2: temperature monitoring
Setting range: 3...300 cm/s (liquids)

Application

Application	liquids and gases
Pressure rating [bar]	300
Medium temperature [°C]	-25...80

Electrical data

Electrical design	DC PNP
Operating voltage [V]	18...36 DC
Current consumption [mA]	< 60
Protection class	III
Reverse polarity protection	yes

Outputs

Output function	2 x normally open / closed programmable
Current rating [mA]	2 x 250
Voltage drop [V]	< 2.5
Short-circuit protection	yes (non-latching)
Overload protection	yes

Measuring / setting range

Liquids	
Setting range [cm/s]	3...300
Greatest sensitivity [cm/s]	3...100



SI5007

SID10ADBFPKG/US-100



Flow sensors

Gases

Setting range	[cm/s]	200...3000
Greatest sensitivity	[cm/s]	200...800
Temperature monitoring		
Setting range	[°C]	2...80

Accuracy / deviations

Switch point accuracy	[cm/s]	$\pm 2... \pm 10$ *)
Hysteresis	[cm/s]	2...5 *)
Repeatability	[cm/s]	1...5 *)
Temperature drift	[cm/s x 1/K]	0.1 **)
Max. temperature gradient of medium	[K/min]	300
Temperature monitoring		
Switch point accuracy	[K]	± 3 (v > 5cm/s) ***)
Hysteresis	[K]	2
Repeatability	[K]	± 2
Response time temperature (typ.)	[s]	5
Resolution	[K]	1

Reaction times

Power-on delay time	[s]	10
Response time	[s]	1...10

Software / programming

Adjustment of the switch point	pushbuttons
--------------------------------	-------------

Interfaces

IO-Link Device	
Transfer type	COM2 (38.4 kBaud)
IO-Link revision	1.1
SDCI standard	IEC 61131-9
IO-Link Device ID	53 d / 00 00 35 h
Profiles	Smart Sensor: Process Data Variable; Device Identification
SIO mode	yes
Required master port class	A
Process data analogue	2
Process data binary	2
Min. process cycle time	[ms] 3.0

Environment

Ambient temperature	[°C]	-25...80
Storage temperature	[°C]	-25...100
Protection		IP 65 / IP 67

Tests / approvals

EMC		DIN EN 60947-5-9
Shock resistance	DIN IEC 60068-2-27:	50 g (11 ms)
Vibration resistance	DIN EN 60068-2-6	20 g (55...2000 Hz)
MTTF	[Years]	277

Mechanical data



SI5007

SID10ADBFPKG/US-100



Flow sensors

Process connection	internal thread M18 x 1.5 for adapter
Materials (wetted parts)	stainless steel 316L / 1.4404; O-ring: FKM 8 x 1.5 gr 80° Shore A
Housing materials	stainless steel 316L / 1.4404; V2A (1.4310); PC (polycarbonate); PBT-GF 20; EPDM/X
Probe length L [mm]	45
Weight [kg]	0.238

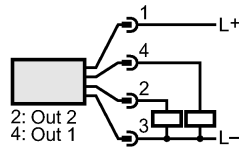
Displays / operating elements

Function display	LED	10 LEDs, three-colour
------------------	-----	-----------------------

Electrical connection

Connection	M12 connector
------------	---------------

Wiring



Pin 2: OUT 2 = Temperature monitoring
 Pin 4: OUT 1 = Flow monitoring
 Pin 4: IO-Link

Remarks

Remarks	<p>*) for water; 5...100 cm/s; 25°C (factory setting) **) for water; 5...100 cm/s; 10...70°C ***) liquids</p>
---------	---

Pack quantity [piece]	1
-----------------------	---