

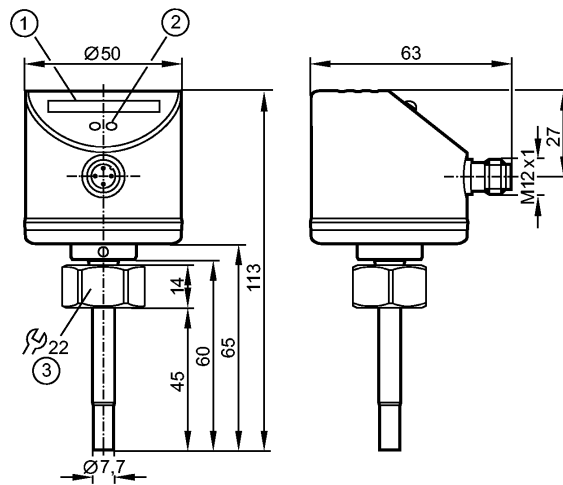


SI500A

SID10ABBFPKG/US-100



Flow sensors



- 1: LED display
- 2: setting pushbutton
- 3: tightening torque 25 Nm



Product characteristics

Flow monitor
Compact type for adapter
Process connection: internal thread M18 x 1.5 for adapter
Probe length: 45 mm
ATEX approval
Group II, category 3D/3G
Setting range: 3...300 cm/s (liquids)

Application

Application	liquids and gases
Pressure rating [bar]	30
Medium temperature [°C]	-25...60

Electrical data

Electrical design	DC PNP
Operating voltage [V]	19...36 DC
Current consumption [mA]	< 60
Protection class	III
Reverse polarity protection	yes

Outputs

Output function	normally open / closed programmable
Current rating [mA]	250
Voltage drop [V]	< 2.5
Short-circuit protection	yes (non-latching)
Overload protection	yes

Measuring / setting range

Liquids		
Setting range [cm/s]		3...300
Greatest sensitivity [cm/s]		3...100
Gases		



SI500A

SID10ABBFPG/US-100



Flow sensors

Setting range	[cm/s]	200...3000
---------------	--------	------------

Greatest sensitivity	[cm/s]	200...800
----------------------	--------	-----------

Accuracy / deviations

Switch point accuracy	[cm/s]	± 2...± 10 *)
-----------------------	--------	---------------

Hysteresis	[cm/s]	2...5 *)
------------	--------	----------

Repeatability	[cm/s]	1...5 *)
---------------	--------	----------

Temperature drift	[cm/s x 1/K]	0.1 **)
-------------------	--------------	---------

Max. temperature gradient of medium	[K/min]	300
-------------------------------------	---------	-----

Reaction times

Power-on delay time	[s]	10
---------------------	-----	----

Response time	[s]	1...10
---------------	-----	--------

Software / programming

Adjustment of the switch point	pushbuttons
--------------------------------	-------------

Environment

Ambient temperature	[°C]	-20...60
---------------------	------	----------

Storage temperature	[°C]	-25...100
---------------------	------	-----------

Protection	IP 67
------------	-------

Tests / approvals

Marking of the unit	II 3D Ex tc IIIC T95°C Dc X II 3G Ex nA IIC T4 Gc X
---------------------	--

EMC	EN 61000-4-2 ESD: 4 kV CD / 8 kV AD EN 61000-4-3 HF radiated: 10 V/m EN 61000-4-4 Burst: 2 kV EN 61000-4-6 HF conducted: 10 V
-----	--

Shock resistance	DIN IEC 68-2-27: 50 g (11 ms)
------------------	-------------------------------

Vibration resistance	DIN EN 60068-2-6 20 g (55...2000 Hz)
----------------------	--------------------------------------

MTTF	[Years] 298
------	-------------

Mechanical data

Process connection	internal thread M18 x 1.5 for adapter
--------------------	---------------------------------------

Materials (wetted parts)	stainless steel 316L / 1.4404; O-ring: FKM 8 x 1.5 gr 80° Shore A
--------------------------	---

Housing materials	stainless steel 316L / 1.4404; V2A / 301 / 1.4310; PC (polycarbonate); PBT-GF 20; EPDM/X
-------------------	--

Probe length L	[mm] 45
----------------	---------

Weight	[kg] 0.252
--------	------------

Displays / operating elements

Function display	LED 10 LEDs, three-colour
------------------	---------------------------

Electrical connection

Connection	M12 connector
------------	---------------

Wiring

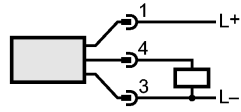


SI500A

SID10ABBFPKG/US-100



Flow sensors



Remarks

Remarks	*) for water; 5...100 cm/s; 25°C (factory setting) **) for water; 5...100 cm/s; 10...60°C
---------	--

Pack quantity	[piece]	1
---------------	---------	---