

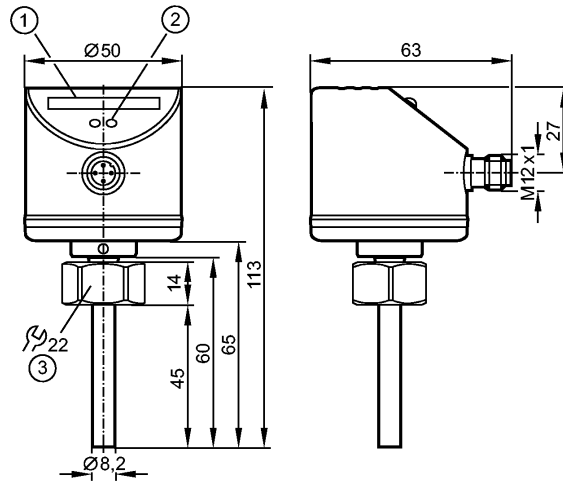


SI5010

SID10ADBFPKG/US-100



Flow sensors



- 1: LED display
- 2: setting pushbutton
- 3: tightening torque 25 Nm



Product characteristics

Flow monitor

Compact type for adapter

Process connection: internal thread M18 x 1.5 for adapter

Pressure rating: 300 bar

Setting range: 3...300 cm/s (liquids)

Application

Application	liquids and gases
Pressure rating [bar]	300
Medium temperature [°C]	-25...80

Electrical data

Electrical design	DC PNP
Operating voltage [V]	18...36 DC
Current consumption [mA]	< 60
Protection class	III
Reverse polarity protection	yes

Outputs

Output function	normally open / closed programmable
Current rating [mA]	250
Voltage drop [V]	< 2.5
Short-circuit protection	yes (non-latching)
Overload protection	yes

Measuring / setting range

Liquids	
Setting range [cm/s]	3...300
Greatest sensitivity [cm/s]	3...100
Gases	
Setting range [cm/s]	200...3000
Greatest sensitivity [cm/s]	200...800



SI5010

SID10ADBFPKG/US-100



Flow sensors

Accuracy / deviations		
Switch point accuracy	[cm/s]	± 2...± 10 *)
Hysteresis	[cm/s]	2...5 *)
Repeatability	[cm/s]	1...5 *)
Temperature drift	[cm/s x 1/K]	0.1 **)
Max. temperature gradient of medium	[K/min]	300
Reaction times		
Power-on delay time	[s]	10
Response time	[s]	1...2 ***) / 1...10 ****)
Software / programming		
Adjustment of the switch point		pushbuttons
Interfaces		
IO-Link Device		
Transfer type		COM2 (38.4 kBaud)
IO-Link revision		1.1
SDCI standard		IEC 61131-9
IO-Link Device ID		54 d / 00 00 36 h
Profiles		Smart Sensor: Process Data Variable; Device Identification
SIO mode		yes
Required master port class		A
Process data analogue		2
Process data binary		2
Min. process cycle time	[ms]	3.0
Environment		
MAWP (for applications according to CRN)	[bar]	208
Ambient temperature	[°C]	-25...80
Storage temperature	[°C]	-25...100
Protection		IP 65 / IP 67
Tests / approvals		
EMC		DIN EN 61000-6-2 DIN EN 61000-6-3
Shock resistance		DIN IEC 60068-2-27: 50 g (11 ms)
Vibration resistance		DIN EN 60068-2-6 20 g (55...2000 Hz)
MTTF	[Years]	298
Mechanical data		
Process connection		internal thread M18 x 1.5 for adapter
Materials (wetted parts)		stainless steel 316L / 1.4404; O-ring: FKM 8 x 1.5 gr 80° Shore A
Housing materials		stainless steel 316L / 1.4404; stainless steel (304S15); PC (polycarbonate); PBT-GF 20; EPDM/X
Weight	[kg]	0.235
Displays / operating elements		
Function display	LED	10 LEDs, three-colour
Electrical connection		
Connection		M12 connector



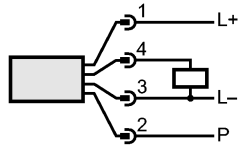
SI5010

SID10ADBFPKG/US-100



Flow sensors

Wiring



P = programming wire (for remote adjustment)
Pin 4: IO-Link

Remarks

Remarks	<p>*) for water; 5...100 cm/s; 25°C (factory setting) **) for water; 5...100 cm/s; 10...70°C ***) for liquids and temperature gradient 1 K/min ****) for gases</p>
---------	---

Pack quantity	[piece]	1
---------------	---------	---