

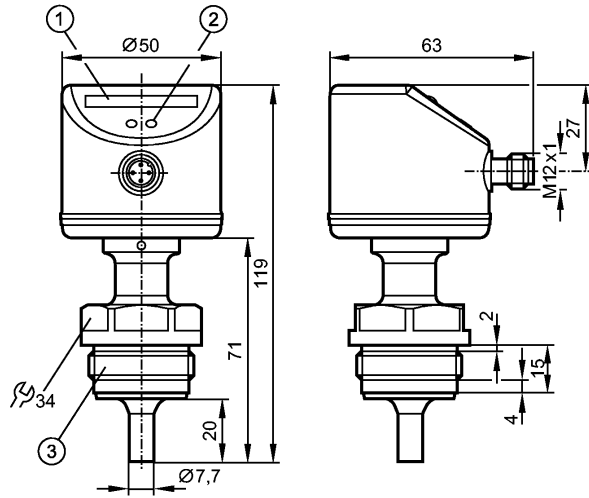


# SI6600

SIR11ABBFPKG/US-100-IPF



Flow sensors



- 1: LED display
- 2: setting pushbutton
- 3: G1/Aseptoflex Vario thread



EHEDG Certified



CRN

## EC 1935/2004

### Product characteristics

Flow monitor
Process connection: G 1 A / Aseptoflex Vario
Probe length: 20 mm
Setting range: 3...300 cm/s (liquids)

### Application

Application	hygienic systems
Pressure rating [bar]	30
Medium temperature [°C]	-25...95 (***)

### Electrical data

Electrical design	DC PNP
Operating voltage [V]	19...36 DC
Current consumption [mA]	< 60
Protection class	III
Reverse polarity protection	yes

### Outputs

Output function	normally open / closed programmable
Current rating [mA]	250
Voltage drop [V]	< 2.5
Short-circuit protection	yes (non-latching)
Overload protection	yes

### Measuring / setting range

Liquids		
Setting range [cm/s]		3...300
Greatest sensitivity [cm/s]		3...100
Gases		
Setting range [cm/s]		200...3000



# SI6600

SIR11ABBFPKG/US-100-IPF



Flow sensors

Greatest sensitivity	[cm/s]	200...800
----------------------	--------	-----------

### Accuracy / deviations

Switch point accuracy	[cm/s]	$\pm 2... \pm 10$ *)
Hysteresis	[cm/s]	2...5 *)
Repeatability	[% of Sr]	1...5 *)
Temperature drift	[cm/s x 1/K]	0.1 **)
Max. temperature gradient of medium	[K/min]	150

### Reaction times

Power-on delay time	[s]	10
Response time	[s]	1...10

### Software / programming

Adjustment of the switch point	pushbuttons
--------------------------------	-------------

### Environment

MAWP (for applications according to CRN)	[bar]	30
Ambient temperature	[°C]	-25...60
Protection		IP 67 / IP 69K

### Tests / approvals

EMC	DIN EN 61000-6-2 DIN EN 61000-6-3
Shock resistance	DIN EN 60068-2-27      50 g (11 ms)
Vibration resistance	DIN EN 60068-2-6      10 g (55...2000 Hz)
MTTF	[Years]      298

### Mechanical data

Process connection	G 1 A / Aseptoflex Vario
Materials (wetted parts)	stainless steel 316L / 1.4435; surface characteristics: Ra < 0.4 / Rz 4
Housing materials	stainless steel 316L / 1.4404; PC (polycarbonate); PBT-GF 20; EPDM/X; sealing: FKM
Probe length L	[mm]      20
Weight	[kg]      0.414

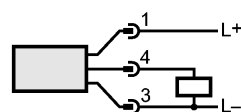
### Displays / operating elements

Function display	LED	10 LEDs, three-colour
------------------	-----	-----------------------

### Electrical connection

Connection	M12 connector; gold-plated contacts
------------	-------------------------------------

#### Wiring



### Remarks

Remarks	*) for water; 5...100 cm/s; 25°C (factory setting) **) for water; 5...100 cm/s; 10...70°C ***) ...140°C for SIP process
---------	---



# SI6600

SIR11ABBFPKG/US-100-IPF



**Flow sensors**

Pack quantity [piece] 1

ifm efector, inc. • 1100 Atwater Drive • Malvern • PA 19355 — We reserve the right to make technical alterations without prior notice. — US — SI6600 — 16.04.2013