

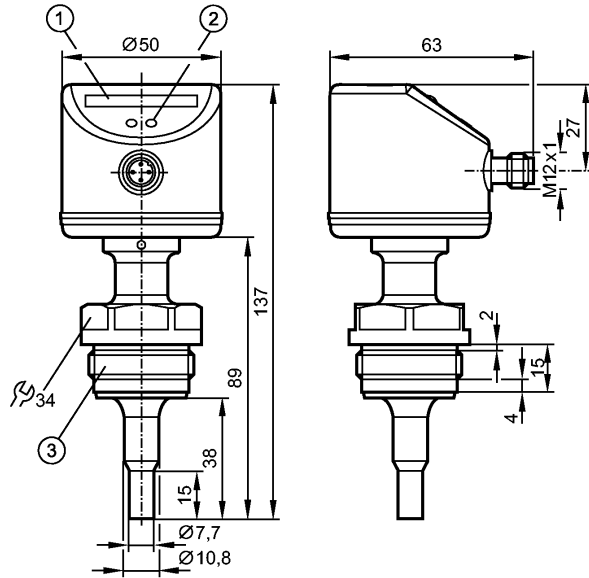


SI6700

SIR11ABBFPKG/US-100-IPF



Flow sensors



- 1: LED display
- 2: setting pushbutton
- 3: G1/Aseptoflex Vario thread



EHDG Certified



EC 1935/2004

Product characteristics

Flow monitor

Process connection: G 1 A / Aseptoflex Vario

Probe length: 38 mm

Setting range: 3...300 cm/s (liquids)

Application

Application	hygienic systems
Pressure rating [bar]	30
Medium temperature [°C]	-25...95 ***)

Electrical data

Electrical design	DC PNP
Operating voltage [V]	19...36 DC
Current consumption [mA]	< 60
Protection class	III
Reverse polarity protection	yes

Outputs

Output function	normally open / closed programmable
Current rating [mA]	250
Voltage drop [V]	< 2.5
Short-circuit protection	yes (non-latching)
Overload protection	yes

Measuring / setting range

Liquids	
Setting range [cm/s]	3...300
Greatest sensitivity [cm/s]	3...100
Gases	
Setting range [cm/s]	200...3000



SI6700

SIR11ABBFPKG/US-100-IPF



Flow sensors

Greatest sensitivity	[cm/s]	200...800
----------------------	--------	-----------

Accuracy / deviations

Switch point accuracy	[cm/s]	± 2...± 10 *)
Hysteresis	[cm/s]	2...5 *)
Repeatability	[cm/s]	1...5 *)
Temperature drift	[cm/s x 1/K]	0.1 **)
Max. temperature gradient of medium	[K/min]	300

Reaction times

Power-on delay time	[s]	10
Response time	[s]	1...10

Software / programming

Adjustment of the switch point	pushbuttons
--------------------------------	-------------

Environment

Ambient temperature	[°C]	-25...60
Protection		IP 67 / IP 69K

Tests / approvals

EMC	EN 61000-4-2 ESD:	4 kV CD / 8 kV AD
	EN 61000-4-3 HF radiated:	10 V/m
	EN 61000-4-4 Burst:	2 kV
	EN 61000-4-6 HF conducted:	10 V
Shock resistance	DIN IEC 68-2-27:	50 g (11 ms)
Vibration resistance	DIN EN 60068-2-6	10 g (55...2000 Hz)
MTTF	[Years]	298

Mechanical data

Process connection	G 1 A / Aseptoflex Vario	
Materials (wetted parts)	stainless steel 316L / 1.4435; surface characteristics: Ra < 0.4 / Rz 4	
Housing materials	stainless steel 316L / 1.4404; PC (polycarbonate); PBT-GF 20; EPDM/X; sealing: FKM	
Probe length L	[mm]	38
Installation length EL	[mm]	54.8
Weight	[kg]	0.422

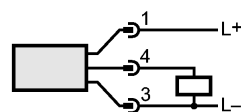
Displays / operating elements

Function display	LED	10 LEDs, three-colour
------------------	-----	-----------------------

Electrical connection

Connection	M12 connector; gold-plated contacts
------------	-------------------------------------

Wiring



Remarks

Remarks	*) for water; 5...100 cm/s; 25°C (factory setting) **) for water; 5...100 cm/s; 10...70°C
---------	--



SI6700

SIR11ABBFPKG/US-100-IPF



Flow sensors

***) ...140°C for SIP process

Pack quantity

[piece]

1

ifm efector, inc. • 1100 Atwater Drive • Malvern • PA 19355 — We reserve the right to make technical alterations without prior notice. — US — SI6700 — 17.12.2010