

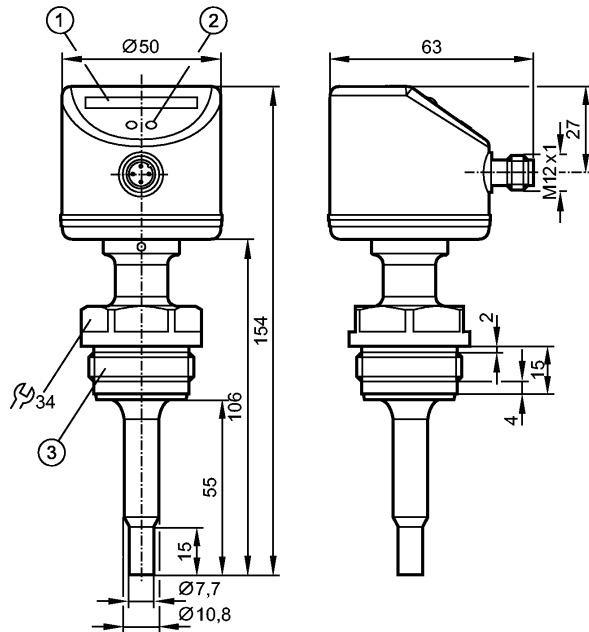


# SI6800

SIR11ABBFPKG/US-100-IPF



Flow sensors



- 1: LED display
- 2: setting pushbutton
- 3: G1/Aseptoflex Vario thread



EHEDG Certified FDA CRN

## EC 1935/2004

Product characteristics	
Flow monitor	
Process connection: G 1 A / Aseptoflex Vario	
Probe length: 55 mm	
Setting range: 3...300 cm/s (liquids)	
Application	
Application	hygienic systems
Pressure rating [bar]	30
Medium temperature [°C]	-25...95 ***)
Electrical data	
Electrical design	DC PNP
Operating voltage [V]	19...36 DC
Current consumption [mA]	< 60
Protection class	III
Reverse polarity protection	yes
Outputs	
Output function	normally open / closed programmable
Current rating [mA]	250
Voltage drop [V]	< 2.5
Short-circuit protection	yes (non-latching)
Overload protection	yes
Measuring / setting range	
Liquids	
Setting range [cm/s]	3...300



# SI6800

SIR11ABBFPKG/US-100-IPF

Flow sensors

Greatest sensitivity	[cm/s]	3...100
Gases		
Setting range	[cm/s]	200...3000
Greatest sensitivity	[cm/s]	200...800

### Accuracy / deviations

Switch point accuracy	[cm/s]	$\pm 2... \pm 10$ *)
Hysteresis	[cm/s]	2...5 *)
Repeatability	[% of Sr]	1...5 *)
Temperature drift	[cm/s x 1/K]	0.1 **)
Max. temperature gradient of medium	[K/min]	300

### Reaction times

Power-on delay time	[s]	10
Response time	[s]	1...10

### Software / programming

Adjustment of the switch point	pushbuttons
--------------------------------	-------------

### Environment

MAWP (for applications according to CRN)	[bar]	30
Ambient temperature	[°C]	-25...60
Protection		IP 67 / IP 69K

### Tests / approvals

EMC	DIN EN 61000-6-2 DIN EN 61000-6-3
Shock resistance	DIN EN 60068-2-27      50 g (11 ms)
Vibration resistance	DIN EN 60068-2-6      10 g (55...2000 Hz)
MTTF	[Years]      298

### Mechanical data

Process connection	G 1 A / Aseptoflex Vario
Materials (wetted parts)	stainless steel 316L / 1.4435; surface characteristics: Ra < 0.4 / Rz 4
Housing materials	stainless steel 316L / 1.4404; PC (polycarbonate); PBT-GF 20; EPDM/X; sealing: FKM
Probe length L	[mm]      55
Weight	[kg]      0.43

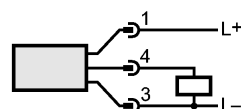
### Displays / operating elements

Function display	LED	10 LEDs, three-colour
------------------	-----	-----------------------

### Electrical connection

Connection	M12 connector; gold-plated contacts
------------	-------------------------------------

### Wiring





# SI6800

SIR11ABBFPKG/US-100-IPF



Flow sensors

Remarks	
Remarks	*) for water; 5...100 cm/s; 25°C (factory setting) **) for water; 5...100 cm/s; 10...70°C ***) ...140°C for SIP process
Pack quantity [piece]	1