

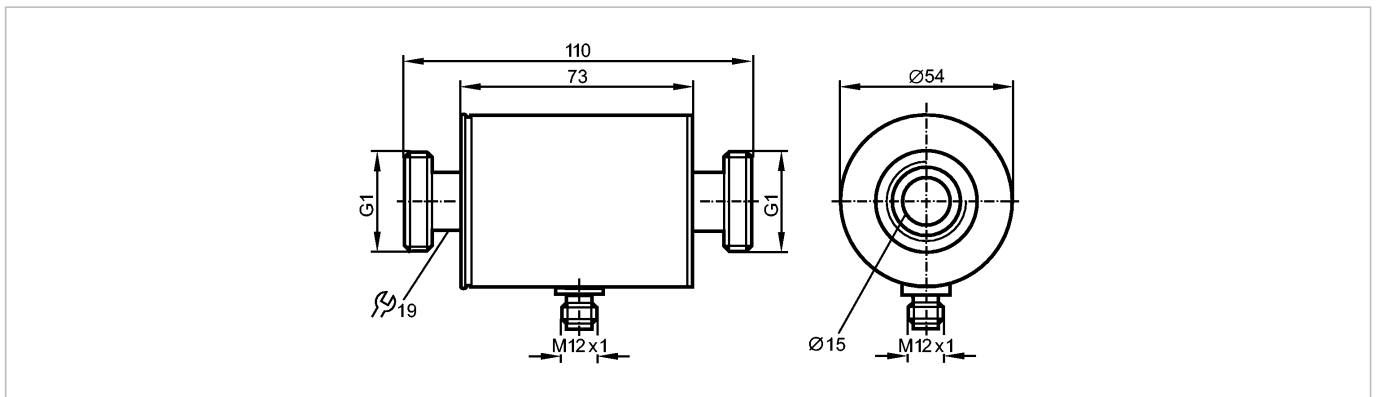


# SM8050

SMR11GGX10KG/US



Flow sensors



### Product characteristics

Magnetic-inductive flow meter

Quick disconnect

Process connection: G1 flat seal

connection to pipe by means of an adapter

Analog output 4...20 mA

Measuring range

0...100 l/min

### Application

Application

Conductive liquids  
(conductivity:  $\geq 20 \mu\text{S/cm}$  / viscosity:  $< 70 \text{ cSt}$  at  $104 \text{ }^\circ\text{F}$ )

Pressure rating [bar]

16

Medium temperature [°C]

-10...70

### Electrical data

Electrical design

DC

Operating voltage [V]

19...30 DC <sup>1)</sup>

Current consumption [mA]

90

Insulation resistance [MΩ]

$> 100$  (500 V DC)

Protection class

III

Reverse polarity protection

yes

### Outputs

Output function

4...20 mA analog

Overload protection

yes

Analog output

4...20 mA

Max. load [Ω]

500

### Measuring / setting range

Flow monitoring

Measuring range [l/min]

0...100

### Accuracy / deviations

Flow monitoring

Accuracy

$\pm (2\% \text{ MW} + 0.5\% \text{ MEW})$

Repeatability

$\pm 0.2\% \text{ MEW}$



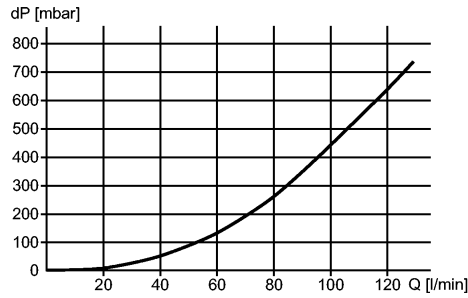
# SM8050

SMR11GGX10KG/US



Flow sensors

Pressure loss (dP) / flow rate (Q)



### Reaction times

Power-on delay time	[s]	5
Flow monitoring		
Response time	[s]	< 0.150

### Environment

Ambient temperature	[°C]	-10...60
Storage temperature	[°C]	-25...80
Protection		IP 67

### Tests / approvals

Pressure equipment directive	article 3, section 3 - sound engineering practice	
EMC	EN 61000-4-2 ESD:	4 kV CD / 8 kV AD
	EN 61000-4-3 HF radiated:	10 V/m
	EN 61000-4-4 Burst:	2 kV
	EN 61000-4-5 Surge:	0.5 kV
	EN 61000-4-6 HF conducted:	10 V
Shock resistance	DIN IEC 68-2-27:	20 g (11 ms)
Vibration resistance	DIN IEC 68-2-6:	5 g (10...2000 Hz)
MTTF	[Years]	175

### Mechanical data

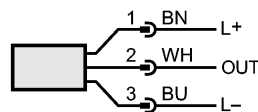
Process connection	G1 flat seal	
Materials (wetted parts)	stainless steel 316L / 1.4404; PEEK (polyether ether ketone); FKM	
Housing materials	stainless steel 316L / 1.4404; PBT-GF 20; FKM; TPE	
Weight	[kg]	0.586

### Electrical connection

Connection	M12 connector; gold-plated contacts	
------------	-------------------------------------	--

### Wiring

Core colors  
 BN brown  
 BU blue  
 WH white



Colours to DIN EN 60947-5-2

OUT: Analog output

### Remarks

Remarks	1) to EN50178, SELV, PELV MW = measured value
---------	--



# SM8050

SMR11GGX10KG/US



Flow sensors

MEW = final value of the measuring range

Pack quantity

[piece]

1