

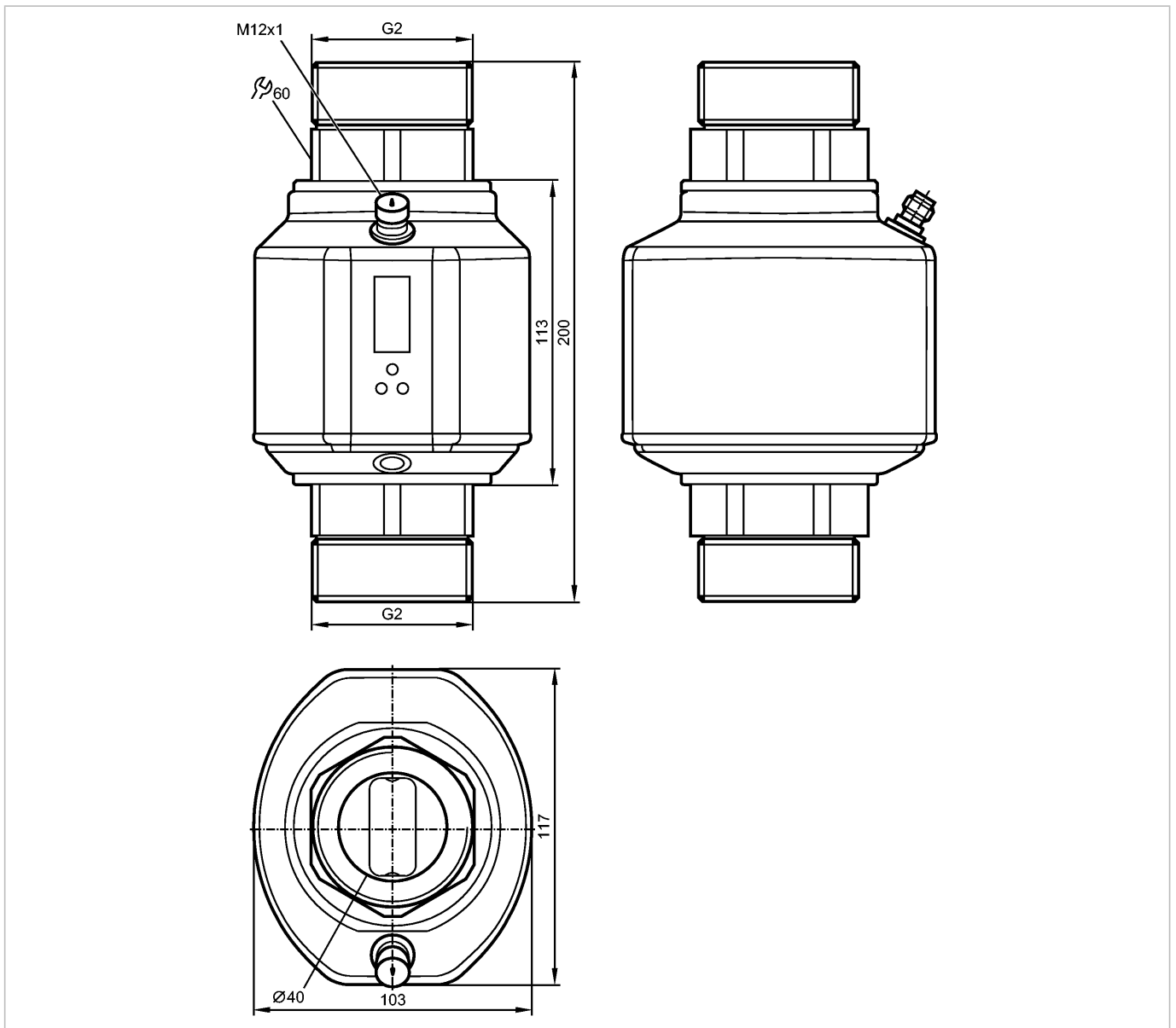


SM9100

SMR21XGXFRKG/US



Flow sensors



ACS CE   IO-Link

Product characteristics

Magnetic-inductive flow meter

Quick disconnect

Process connection: G2 flat seal

connection to pipe by means of an adapter

Function programmable

Totalizer function

Empty pipe detection

2 outputs

OUT1 = flow monitoring (binary), flow rate meter (pulse), preset meter (binary)

OUT2 = flow monitoring or temperature monitoring (analog or binary)

Input for counter reset

4-digit alphanumeric display

Measuring range

5...300 l/min

Application



SM9100

SMR21XGXFRKG/US



Flow sensors

Application	conductive liquids of the fluid group 2 according to the Pressure Equipment Directive (PED) (conductivity: $\geq 20 \mu\text{S/cm}$ / viscosity: $< 70 \text{ mm}^2/\text{s}$ at 40°C)	
Pressure rating [bar]	16	
Medium temperature [°C]	-10...70	
Electrical data		
Electrical design	DC PNP/NPN	
Operating voltage [V]	18...32 DC ¹⁾	
Current consumption [mA]	< 150	
Insulation resistance [MΩ]	> 100 (500 V DC)	
Protection class	III	
Reverse polarity protection	yes	
Outputs		
Output function	OUT1: normally open / normally closed programmable or pulse or frequency or empty pipe detection or IO-Link OUT2: normally open / normally closed programmable or analogue (4...20 mA; 0...10 V, scalable) or empty pipe detection	
Current rating [mA]	2 x 250	
Voltage drop [V]	< 2	
Short-circuit protection	yes (non-latching)	
Overload protection	yes	
Analog output	4...20 mA; 0...10 V	
Max. load [Ω]	500 (4...20 mA)	
Min. load [Ω]	2000 (0...10 V)	
Pulse output	flow rate meter	
Frequency range [Hz]	0.1...10000	
Measuring / setting range		
Empty pipe detection	normally closed / open	
Flow monitoring		
Measuring range	5...300 l/min	0.3...18 m ³ /h
Display range	-360...360 l/min	-21.6...21.6 m ³ /h
Resolution	0.5 l/min	0.02 m ³ /h
Set point, SP	6.5...300 l/min	0.4...18 m ³ /h
Reset point, rP	5...298.5 l/min	0.3...17.9 m ³ /h
Analog start point, ASP	0...240 l/min	0...14.4 m ³ /h
Analog end point, AEP	60...300 l/min	3.6...18 m ³ /h
Flow end point, FEP	20...300 l/min; 1.5...18 m ³ /h	
Low flow cut-off, LFC	5...15 l/min	0.3...0.9 m ³ /h
in steps of	0.5 l/min	0.02 m ³ /h
Frequency end point, FrEP	0.01...10 kHz	
in steps of	10 Hz	
Measuring dynamics	1:60	
Volumetric flow quantity monitoring		
Pulse value	0.0001...300x10 ³ m ³	
in steps of	0.0001 m ³	
Pulse length [s]	0.016...2	
Temperature monitoring		



SM9100

SMR21XGXFRKG/US

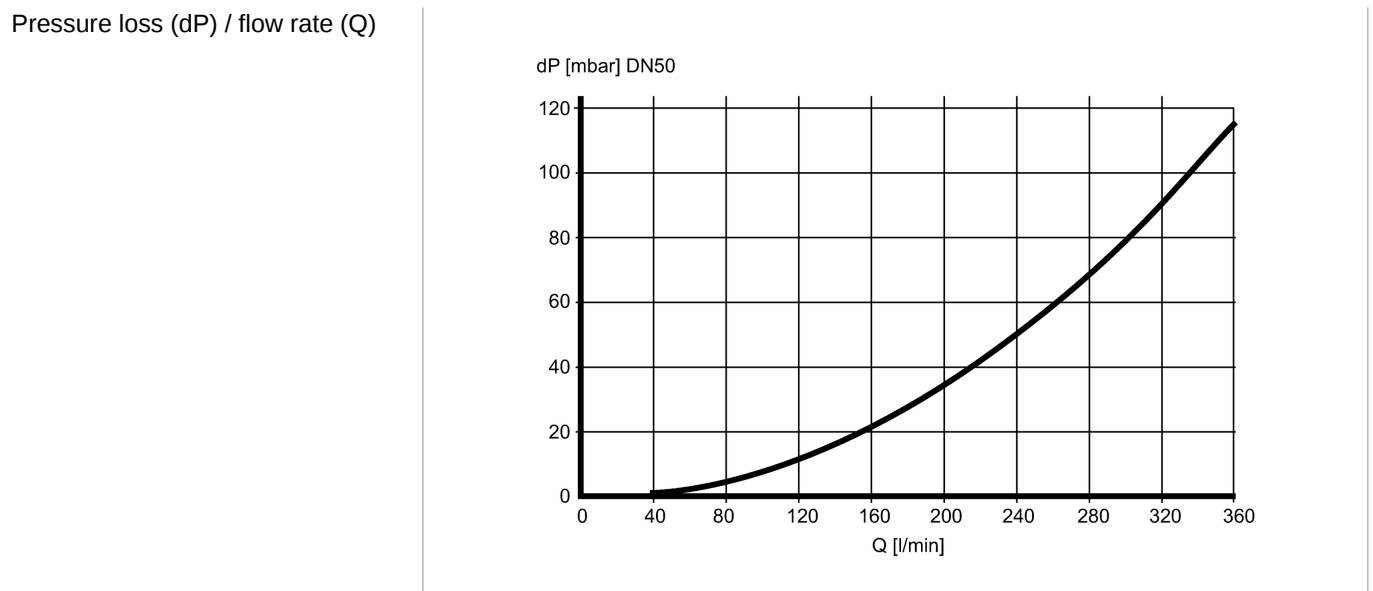


Flow sensors

Measuring range	[°C]	-20...80
Display range	[°C]	-40...100
Resolution	[°C]	0.2
Set point, SP	[°C]	-19.2...80.0
Reset point, rP	[°C]	-19.6...79.6
Analog start point, ASP	[°C]	-20...60
Analog end point, AEP	[°C]	0...80
in steps of	[°C]	0.2

Accuracy / deviations

Flow monitoring		
Accuracy		$\pm (0.8\% \text{ MW} + 0.5\% \text{ MEW})^2$
Repeatability		$\pm 0.2\% \text{ MEW}$



Temperature monitoring		
Accuracy	[K]	$\pm 1 (25 \text{ °C}; Q > 15 \text{ l/min})$
Temperature drift		$\pm 0.0333 \text{ °C / K}$

Reaction times

Power-on delay time	[s]	5
Flow monitoring		
Start-up delay	[s]	0...50
Response time	[s]	$< 0.35 (dAP = 0)$
Damping, dAP	[s]	0...5
Temperature monitoring		
Response time	[s]	$T09 = 3 (Q > 15 \text{ l/min})$

Software / programming

Programming options	Hysteresis / window; NO / NC; output logic; current / voltage / frequency / pulse output; start-up delay; display can be deactivated; display unit; empty pipe detection
---------------------	--

Interfaces

IO-Link Device	
Transfer type	COM2 (38.4 kBaud)
IO-Link revision	1.1
SDCI standard	IEC 61131-9 CDV
IO-Link Device ID	359 d / 00 01 67 h



SM9100

SMR21XGXFRKG/US



Flow sensors

Profiles	Smart Sensor: Process Data Variable; Device Identification
SIO mode	yes
Required master port class	A
Process data analogue	3
Process data binary	2
Min. process cycle time [ms]	5

Environment	
Ambient temperature [°C]	-10...60
Storage temperature [°C]	-25...80
Protection	IP 65 / IP 67

Tests / approvals	
Pressure equipment directive	article 3, section 3 - sound engineering practice
EMC	DIN EN 60947-5-9
Shock resistance	DIN EN 60068-2-27 20 g (11 ms)
Vibration resistance	DIN EN 60068-2-6 5 g (10...2000 Hz)
MTTF [Years]	78

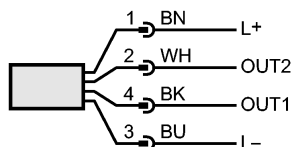
Mechanical data	
Process connection	G2 flat seal
Materials (wetted parts)	stainless steel 316L / 1.4404; stainless steel 316Ti / 1.4571; PEEK (polyether ether ketone); Hastelloy C-4 (2.4610); Centellen; EPDM
Housing materials	stainless steel 316L / 1.4404; stainless steel 316Ti / 1.4571; PEI; FKM; PBT-GF 20; elastolan
Weight [kg]	3.128

Displays / operating elements	
Display	Display unit 6 x LED green (l/min, m³/h, l, m³, 10³, °C) Switching status 2 x LED yellow Measured values 4-digit alphanumeric display Programming 4-digit alphanumeric display

Electrical connection	
Connection	M12 connector; gold-plated contacts

Wiring

Core colors
 BK black
 BN brown
 BU blue
 WH white



Colours to DIN EN 60947-5-2

-
- OUT1: 6 options:
 switching output empty pipe detection
 switching output flow rate monitoring
 frequency output flow rate monitoring
 pulse output quantity meter
 signal output preset counter
 IO-Link
- OUT2: 6 options:
 switching output empty pipe detection
 switching output flow rate monitoring



SM9100

SMR21XGXFRKG/US



Flow sensors

switching output temperature monitoring
analogue output flow rate
analogue output temperature
Input for counter reset

Accessories

Accessories (included)

2 x packing washer (Centellen); Label

Remarks

Remarks

1) to DIN EN 50178, SELV, PELV
2) $Q > 15\text{ l/min}$, medium and ambient temperature $+22\text{ °C} \pm 4\text{ K}$
MW = measured value
MEW = final value of the measuring range

Pack quantity

[piece]

1