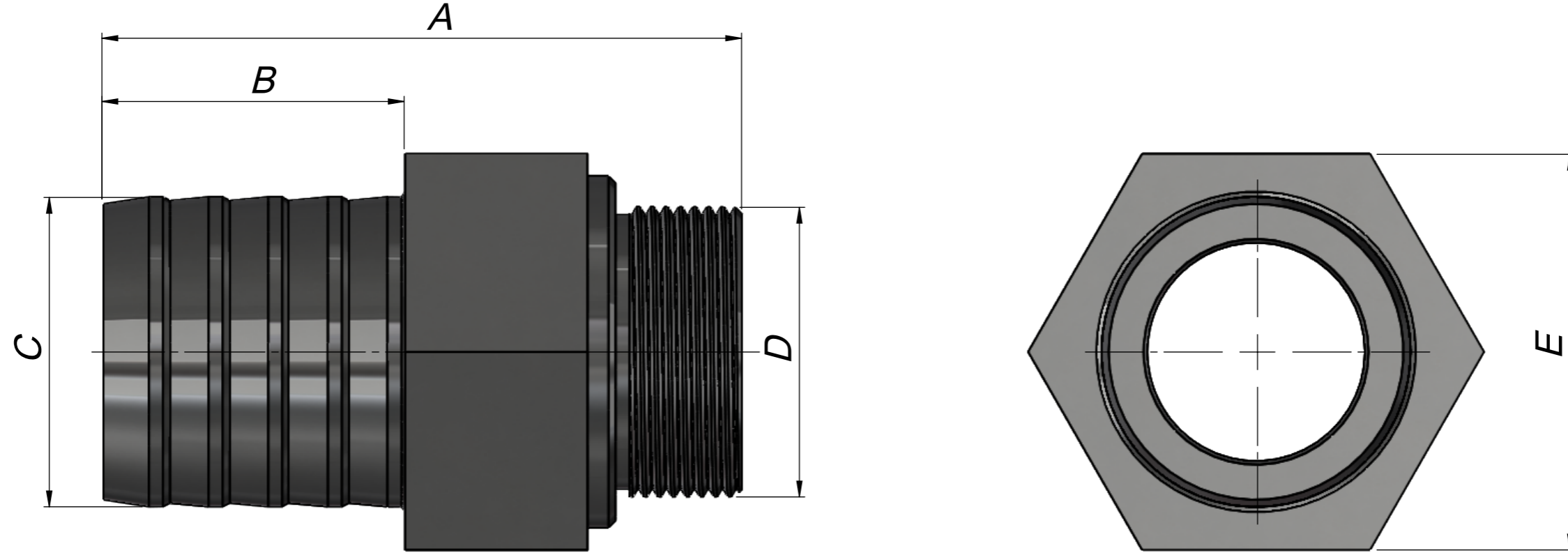


REV REV TARİHİ AÇIKLAMA



	A	B	C	D	E
R1"x38	82	50	38	BSP 1"-11	40
R1"x45	82	50	45	BSP 1"-11	50
R1"x51	82	50	51	BSP 1"-11	55
R1 1/4"x38	75	42	38	BSP 1 1/4"-11	50
R1 1/4"x45	75	42	45	BSP 1 1/4"-11	50
R1 1/4"x51	75	50	51	BSP 1 1/4"-11	55
R1 1/2"x38	82	50	38	BSP 1 1/2"-11	50
R1 1/2"x45	82	50	45	BSP 1 1/2"-11	50
R1 1/2"x51	82	50	51	BSP 1 1/2"-11	55