

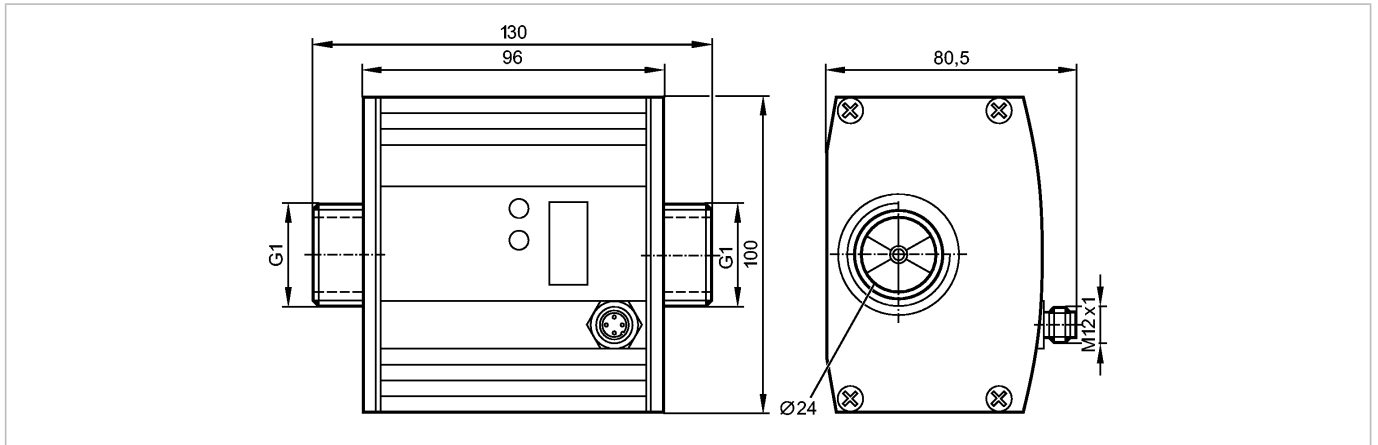


SU8000

SUR11HGBFRKG/W/US-100-IPF



Flow sensors



Product characteristics

Ultrasonic flow meter

Quick disconnect

Process connection: G1 flat seal

Function programmable

Totalizer function

2 outputs

OUT1 = flow monitoring (binary), flow rate meter (pulse), preset meter (binary)

OUT2 = flow monitoring or temperature monitoring (analog or binary)

Input for counter reset

Measuring range

0...100 l/min

-10...80 °C

Maximum permissible flow rate

110 l/perc (6.6 m³/h)

connection to pipe by means of an adapter

Application

Application	Liquids of the fluid group 2 according to the Pressure Equipment Directive (PED): water, glycol solutions, oils (low-viscosity oils with viscosity 7...40 mm ² /s at 40°C; high-viscosity oils with viscosity 30...68 mm ² /s at 40°C)
-------------	---

Pressure rating	[bar]	16
-----------------	-------	----

Medium temperature	[°C]	-10...80
--------------------	------	----------

Electrical data

Electrical design	DC PNP/NPN
-------------------	------------

Operating voltage	[V]	19...30 DC ¹⁾
-------------------	-----	--------------------------

Current consumption	[mA]	100
---------------------	------	-----

Insulation resistance	[MΩ]	> 100 (500 V DC)
-----------------------	------	------------------

Protection class	III
------------------	-----

Reverse polarity protection	yes
-----------------------------	-----

Outputs

Output function	OUT1: normally open / closed programmable or pulse OUT2: normally open / closed programmable or analog (4...20 mA / 0...10 V, scaleable)
-----------------	---

Current rating	[mA]	2 x 250
----------------	------	---------



SU8000

SUR11HGBFRKG/W/US-100-IPF



Flow sensors

Voltage drop [V]	< 2
Short-circuit protection	yes (non-latching)
Overload protection	yes
Analog output	4...20 mA; 0...10 V
Max. load [Ω]	500
Min. load [Ω]	2000
Pulse output	flow rate meter

Measuring / setting range

Flow monitoring		
Measuring range	0.0...100.0 l/min	0.000...6.000 m³/h
Display range	0.0...120.0 l/min	0.000...7.200 m³/h
Resolution	0.1 l/min	0.005 m³/h
Set point, SP	0.2...100.0 l/min	0.010...6.000 m³/h
Reset point, rP	0.0...99.8 l/min	0.000...5.990 m³/h
Analog start point, ASP	0.0...80.0 l/min	0.000...4.800 m³/h
Analog end point, AEP	20.0...100.0 l/min	1.200...6.000 m³/h
in steps of	0.1 l/min	0.005 m³/h
Volumetric flow quantity monitoring		
Pulse value	0.1 l...1 000 000 m³	
Pulse length [s]	0.025...2	
Temperature monitoring		
Measuring range [°C]	-10...80.0	
Resolution [°C]	0.2	
Set point, SP [°C]	-9.8...80.0	
Reset point, rP [°C]	-10.0...79.8	
Analog start point, ASP [°C]	-10.0...62.0	
Analog end point, AEP [°C]	8.0...80.0	
in steps of [°C]	0.2	

Accuracy / deviations

Flow monitoring	
Accuracy	< ± (3% MW + 0.2% MEW) *) / < ± (5% MW + 0.5% MEW) **)
Repeatability	0.2 l/min; 12 l/h; 0.012 m³ /h

Pressure loss (dP) / flow rate (Q)	
------------------------------------	--

Temperature monitoring	
Accuracy [K]	± 3 (Q > 1 l/min)

Reaction times

Power-on delay time [s]	10
Flow monitoring	



SU8000

SUR11HGBFRKG/W/US-100-IPF



Flow sensors

Start-up delay	[s]	0...50
Response time	[s]	< 0.250 (dAP = 0)
Damping, dAP	[s]	0.0...1.0
Temperature monitoring		
Response time	[s]	T09 = 70 (Q > 5 l/min) *

Environment		
Ambient temperature	[°C]	-10...60
Storage temperature	[°C]	-25...80
Protection		IP 67

Tests / approvals		
Pressure equipment directive		article 3, section 3 - sound engineering practice
EMC		EN 61000-4-2 ESD: 4 kV CD / 8 kV AD EN 61000-4-3 HF radiated: 10 V/m EN 61000-4-4 Burst: 2 kV EN 61000-4-5 Surge: 0.5 kV EN 61000-4-6 HF conducted: 10 V
Shock resistance		DIN IEC 68-2-27: 20 g (11 ms)
Vibration resistance		DIN IEC 68-2-6: 5 g (10...2000 Hz)
MTTF	[Years]	185

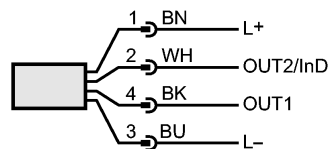
Mechanical data		
Process connection		G1 flat seal
Materials (wetted parts)		stainless steel 316L / 1.4404; Viton; PES; Centellen 200
Housing materials		housing: AlMgSi0.5 anodized; sealing: Viton; connector housing: brass Optalloy-plated; PA 6.6; cover film: polyamide
Weight	[kg]	1.712

Displays / operating elements		
Display		Display unit 6 x LED green (l/min, m ³ /h, l, m ³ , 10 ³ , °C) Switching status 2 x LED yellow Measured values 4-digit alphanumeric display Programming 4-digit alphanumeric display

Electrical connection		
Connection		M12 connector; gold-plated contacts

Wiring

- OUT1: 3 selection options
- switching output volumetric flow monitoring
 - pulse output volumetric flow
 - switching output preset counter
- OUT2/InD: 5 selection options
- switching output volumetric flow monitoring
 - switching output temperature monitoring
 - analog output volumetric flow
 - analog output temperature
 - input for an external reset signal



Accessories		
Accessories (included)		2 x packing washer (Centellen)
Accessories (optional)		adapter; order no. E40179 (for R ¹ / ₂ pipe, high-grade stainless steel) order no. E40180 (for R ³ / ₄ pipe, high-grade stainless steel); order no. E40152 (for R ¹ / ₂ pipe, brass) order no. E40153 (for R ³ / ₄ pipe, brass)



SU8000

SUR11HGBFRKG/W/US-100-IPF



Flow sensors

Remarks

Remarks	1) to EN50178, SELV, PELV *) for water **) for glycol solutions (35%) and oils (viscosity: 68 mm ² /s at 40°C) MW = measured value MEW = final value of the measuring range sealing: only with supplied Centellen seals
---------	---

Pack quantity	[piece]	1
---------------	---------	---