

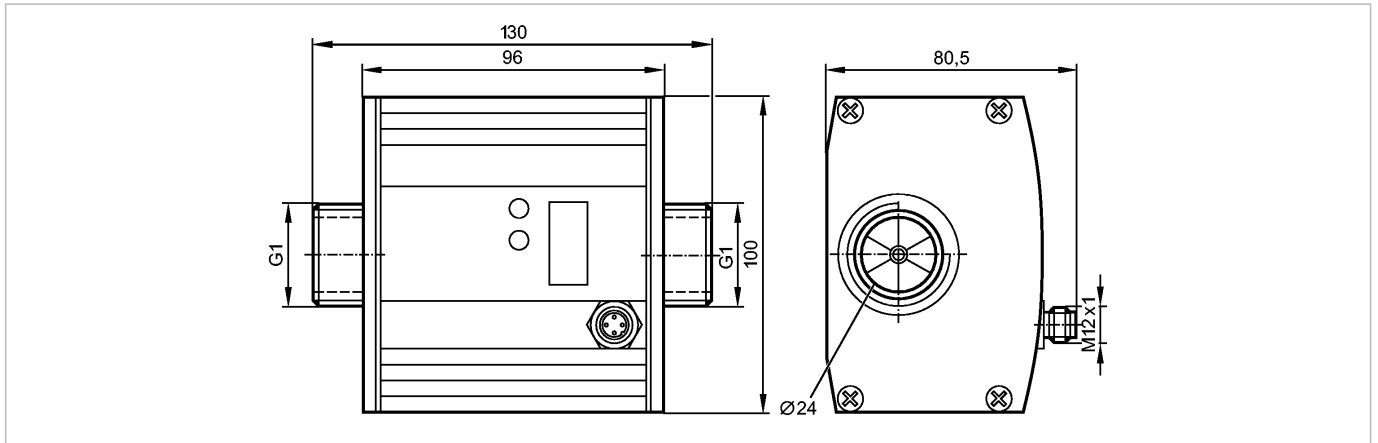


# SU8200

SUR11HGBFPKG/W/US-100-IPF



Flow sensors



## Product characteristics

Ultrasonic flow meter

Quick disconnect

Process connection: G1 flat seal

Function programmable

2 switching outputs

OUT1 = flow monitoring

OUT2 = flow monitoring or temperature monitoring

Measuring range

0...100 l/min

-10...80 °C

Maximum permissible flow rate

110 l/perc (6.6 m<sup>3</sup>/h)

connection to pipe by means of an adapter

## Application

Application	Liquids of the fluid group 2 according to the Pressure Equipment Directive (PED): water, glycol solutions, oils (low-viscosity oils with viscosity 7...40 mm <sup>2</sup> /s at 40°C; high-viscosity oils with viscosity 30...68 mm <sup>2</sup> /s at 40°C)
-------------	---

Pressure rating	[bar]	16
-----------------	-------	----

Medium temperature	[°C]	-10...80
--------------------	------	----------

## Electrical data

Electrical design	DC PNP
-------------------	--------

Operating voltage	[V]	19...30 DC <sup>1)</sup>
-------------------	-----	--------------------------

Current consumption	[mA]	100
---------------------	------	-----

Insulation resistance	[MΩ]	> 100 (500 V DC)
-----------------------	------	------------------

Protection class	III
------------------	-----

Reverse polarity protection	yes
-----------------------------	-----

## Outputs

Output function	2 x normally open / closed programmable
-----------------	---

Current rating	[mA]	2 x 250
----------------	------	---------

Voltage drop	[V]	< 2
--------------	-----	-----

Short-circuit protection	yes (non-latching)
--------------------------	--------------------

Overload protection	yes
---------------------	-----

## Measuring / setting range



# SU8200

SUR11HGBFPKG/W/US-100-IPF



Flow sensors

## Flow monitoring

Measuring range	0.0...100.0 l/min	0.00 ... 26.42 gpm
Display range	0.0...120.0 l/min	0.00 ... 31.70 gpm
Resolution	0.1 l/min	0.02 gpm
Set point, SP	0.2...100.0 l/min	0.06 ... 26.42 gpm
Reset point, rP	0.0...99.8 l/min	0.00 ...26.38 gpm
in steps of	0.1 l/min	0.02 gpm

## Temperature monitoring

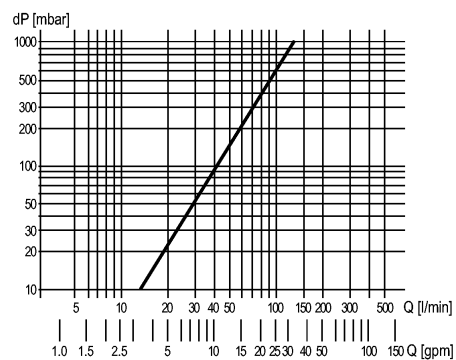
Measuring range	[°C]	-10.0...80.0
Resolution	[°C]	0.2
Set point, SP	[°C]	-9.8...80.0
Reset point, rP	[°C]	-10.0...79.8
in steps of	[°C]	0.2

## Accuracy / deviations

### Flow monitoring

Accuracy	$< \pm (3\% \text{ MW} + 0.2\% \text{ MEW})^* / < \pm (5\% \text{ MW} + 0.5\% \text{ MEW})^{**}$	
Repeatability	0.2 l/min (0.05 gpm)	

### Pressure loss (dP) / flow rate (Q)



## Temperature monitoring

Accuracy	[K]	0.2
----------	-----	-----

## Reaction times

Power-on delay time	[s]	10
Flow monitoring		
Start-up delay	[s]	0...50
Response time	[s]	$< 0.250$ (dAP = 0)
Damping, dAP	[s]	0.0...1.0
Temperature monitoring		
Response time	[s]	$T_{09} = 70$ (Q > 5 l/min) *

## Environment

Ambient temperature	[°C]	-10...60
Storage temperature	[°C]	-25...80
Protection		IP 67

## Tests / approvals

Pressure equipment directive	article 3, section 3 - sound engineering practice	
EMC	EN 61000-4-2 ESD:	4 kV CD / 8 kV AD
	EN 61000-4-3 HF radiated:	10 V/m
	EN 61000-4-4 Burst:	2 kV
	EN 61000-4-5 Surge:	0.5 kV



# SU8200

SUR11HGBFPKG/W/US-100-IPF



Flow sensors

	EN 61000-4-6 HF conducted:	10 V
Shock resistance	DIN IEC 68-2-27:	20 g (11 ms)
Vibration resistance	DIN IEC 68-2-6:	5 g (10...2000 Hz)
MTTF	[Years]	246

Mechanical data		
Process connection	G1 flat seal	
Materials (wetted parts)	stainless steel 316L / 1.4404; Viton; PES; Centellen 200	
Housing materials	housing: AlMgSi0.5 anodized; sealing: Viton; connector housing: brass Optalloy-plated; PA 6.6; cover film: polyamide	
Weight	[kg]	1.695

Displays / operating elements		
Display	Display unit	4 x LED green (l/min, m <sup>3</sup> /h, gal/min, gal/h)
	Display unit	2 x LED yellow (°C / °F)
	Switching status	2 x LED yellow
	Measured values	4-digit alphanumeric display
	Programming	4-digit alphanumeric display

Electrical connection	
Connection	M12 connector; gold-plated contacts

**Wiring**

Programming of the output function:  
 Hno = hysteresis / normally open  
 Hnc = hysteresis / normally closed  
 Fno = window function / normally open  
 Fnc = window function / normally closed

Accessories	
Accessories (included)	2 x packing washer (Centellen)
Accessories (optional)	adapter; order no. E40179 (for R $\frac{1}{2}$ pipe, high-grade stainless steel) order no. E40180 (for R $\frac{3}{4}$ pipe, high-grade stainless steel); order no. E40191 (for $\frac{1}{2}$ " NPT pipe, high-grade stainless steel) order no. E40192 (for $\frac{3}{4}$ " NPT pipe, high-grade stainless steel); order no. E40152 (for R $\frac{1}{2}$ pipe, brass) order no. E40153 (for R $\frac{3}{4}$ pipe, brass); order no. E40155 (for $\frac{1}{2}$ " NPT pipe) order no. E40156 (for $\frac{3}{4}$ " NPT pipe)

Remarks	
Remarks	1) to EN50178, SELV, PELV *) for water **) for glycol solutions (35%) and oils (viscosity: 68 mm <sup>2</sup> /s at 40°C) MW = measured value MEW = final value of the measuring range sealing: only with supplied Centellen seals

Pack quantity	[piece]	1
---------------	---------	---