

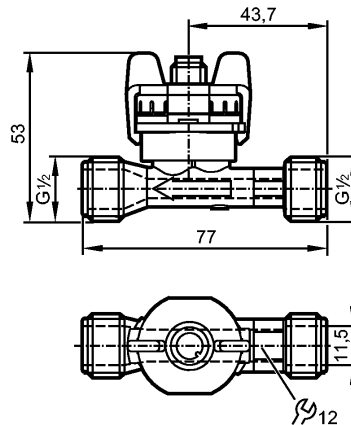


SV3050

SVM12XXXD0KG/US-100



Flow sensors



Product characteristics

Vortex flow meter

DN 6

Quick disconnect

Process connection: G 1/2

connection to pipe by means of an adapter

flow monitoring

Measuring range

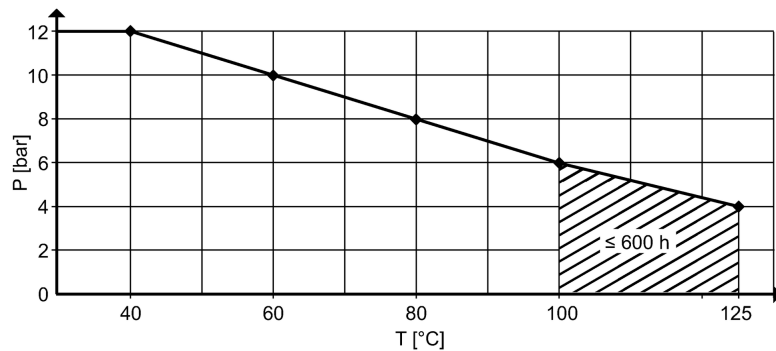
05...10 l/min

Application

Application

Pressure rating [bar]

Water, water-based media



Pressure rating [bar]

12; (up to 40 °C)

Medium temperature [°C]

-40...100

Electrical data

Electrical design

DC

Operating voltage [V]

8...33

Insulation resistance [MΩ]

> 100 (500 V DC)

Protection class

III

Outputs

Output function

analog

Analog output

4...20 mA

Max. load [Ω]

$< (U_b - 8 \text{ V}) / 20 \text{ mA}$
800 at $U_b = 24 \text{ V}$



SV3050

SVM12XXXD0KG/US-100



Flow sensors

Measuring / setting range

Flow monitoring

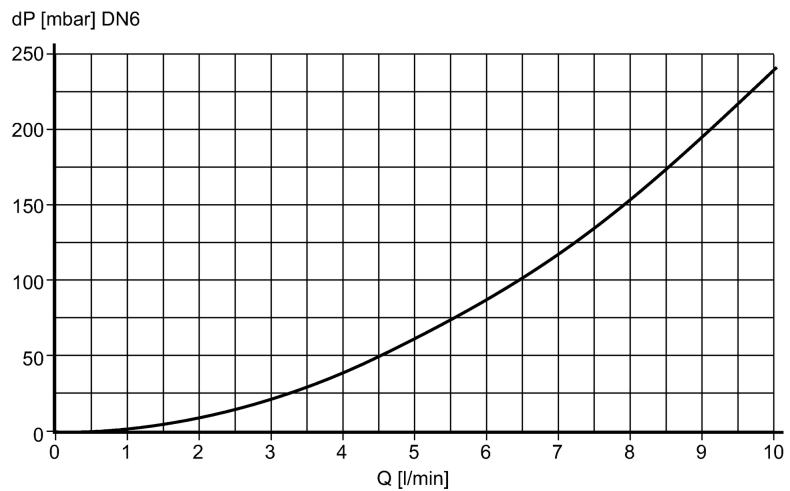
Measuring range	0.5...10 [l/min]	0.074...1.474 [m/s]
Output curve	$Q \text{ [l/min]} = 0.625 \times (I - 4 \text{ mA})$	

Accuracy / deviations

Flow monitoring

Accuracy	$Q < 50 \% \text{ MEW (water): } < 1 \% \text{ MEW}$ $Q > 50 \% \text{ MEW (water): } < 2 \% \text{ MW}$	
Repeatability	0.2; [% of the final value]	

Pressure loss (dP) / flow rate (Q)



Reaction times

Power-on delay time [s]	< 2
Flow monitoring	
Response time [s]	< 0.5

Environment

Cavitation	$P(\text{absolute discharge}) / P(\text{difference}) > 5.5$ to avoid cavitation
Ambient temperature [°C]	-15...85
Storage temperature [°C]	-30...85
Protection	IP 65

Tests / approvals

Pressure equipment directive	article 3, section 3 - sound engineering practice	
EMC	EN 61326-2-3	
Shock resistance	DIN EN 60068-2-27	30 g (11 ms)
Vibration resistance	DIN EN 60068-2-6	with water 10...61 Hz: 1 mm with water 61...2000 Hz: 2 g
MTTF [Years]	380	



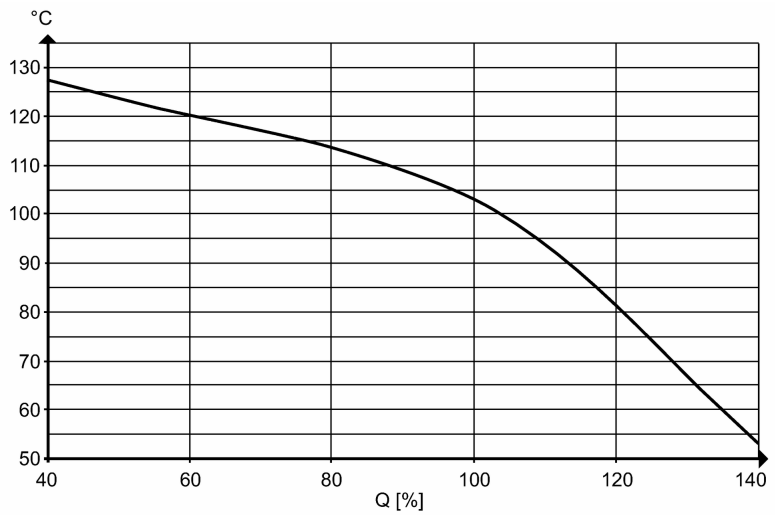
SV3050

SVM12XXXD0KG/US-100



Flow sensors

Minimum lifetime 10 years referred to flow and high medium temperatures



Mechanical data

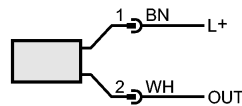
Process connection	G 1/2
Materials (wetted parts)	ETFE; PA 6T; FKM
Housing materials	PA 6T
Tightening torque [Nm]	12
Weight [kg]	0.145

Electrical connection

Connection	M12 connector; gold-plated contacts
------------	-------------------------------------

Wiring

Core colors
 BN brown
 WH white



OUT: analog
 Colours to DIN EN 60947-5-2

Remarks

Remarks	MW = measured value MEW = final value of the measuring range
---------	---

Pack quantity [piece]	1
-----------------------	---