

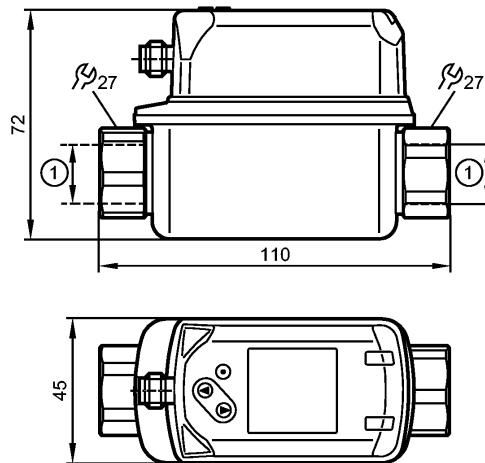


# SV5204

SVR12XXX50KG/US-100



Flow sensors



1: G 1/2  
DN 10



### Product characteristics

Vortex flow meter

DN 10

Process connection: G 1/2

Measuring range

2...40 l/min

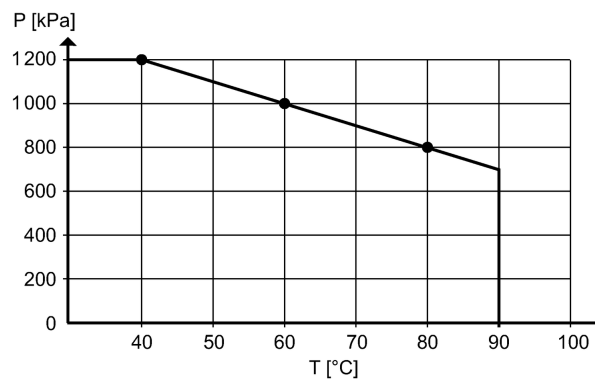
-10...90 °C

### Application

Application

Liquids of the fluid group 2 according to the Pressure Equipment Directive (PED):  
Water, deionised water, cooling water

Pressure rating [bar]



Pressure rating

[bar]

12; (up to 40 °C)

Medium temperature

[°C]

-10...90

### Electrical data

Electrical design

DC

Operating voltage

[V]

18...30 DC

Current consumption

[mA]

< 30

Insulation resistance

[MΩ]

> 100 (500 V DC)

Protection class

III

Reverse polarity protection

yes

### Outputs

Output function

OUT1 = analogue signal temperature  
OUT2 = analogue signal flow



# SV5204

SVR12XXX50KG/US-100



Flow sensors

Short-circuit protection	yes
Overload protection	yes
Analog output	4...20 mA
Max. load <span style="float:right">[Ω]</span>	500

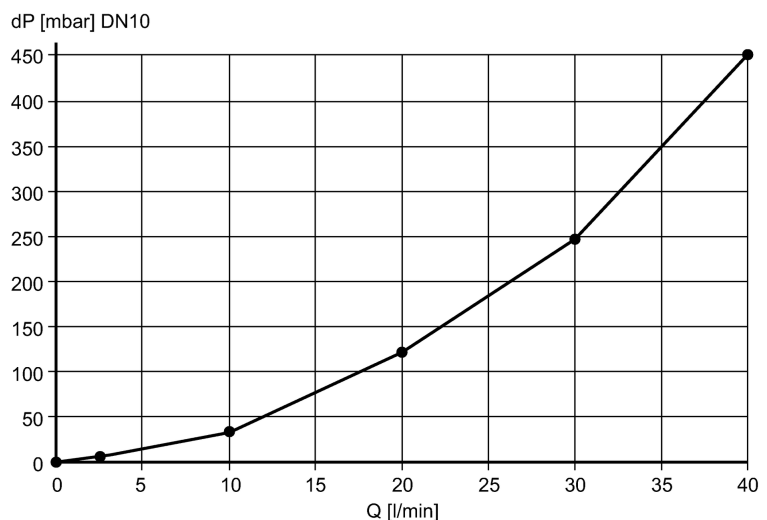
### Measuring / setting range

Flow monitoring		
Measuring range	2...40 [l/min]	0.12...2.4 [m³/h]
Display range	0...48 [l/min]	0...2.88 [m³/h]
Resolution	0.2 [l/min]	0.01 [m³/h]
Analog start point, ASP	0...32 [l/min]	0...1.92 [m³/h]
Analog end point, AEP	8...40 [l/min]	0.48...2.4 [m³/h]
in steps of	0.2 [l/min]	0.01 [m³/h]
Measuring dynamics	1:20	
Temperature monitoring		
Measuring range <span style="float:right">[°C]</span>	-10...90	
Display range <span style="float:right">[°C]</span>	-30...110	
Resolution <span style="float:right">[°C]</span>	0.5	
Analog start point, ASP <span style="float:right">[°C]</span>	-10...70	
Analog end point, AEP <span style="float:right">[°C]</span>	10...90	
in steps of <span style="float:right">[°C]</span>	0.5	

### Accuracy / deviations

Flow monitoring		
Accuracy <span style="float:right">[% of the final value]</span>	± 2 % MEW	
Repeatability	± 0.5 % MEW	

Pressure loss (dP) / flow rate (Q)



Temperature monitoring		
Accuracy <span style="float:right">[K]</span>	± 1	

### Reaction times

Power-on delay time <span style="float:right">[s]</span>	< 3	
Flow monitoring		
Response time <span style="float:right">[s]</span>	< 1 (dAP = 0)	
Damping, dAP <span style="float:right">[s]</span>	0...5	
Temperature monitoring		
Response time <span style="float:right">[s]</span>	T09 = 6	



# SV5204

SVR12XXX50KG/US-100



Flow sensors

### Software / programming

Programming options	Damping for the analog output (dAA); Display unit
---------------------	---

### Environment

Ambient temperature	[°C]	0...60, at max. 80 °C medium temperature (0...50 °C at max. 90 °C medium temperature)
Storage temperature	[°C]	-20...80
Protection		IP 65 / IP 67

### Tests / approvals

Pressure equipment directive		sound engineering practice
EMC		DIN EN 61000-6-2 DIN EN 61000-6-3
Shock resistance		DIN EN 60068-2-27      5 g (11 ms)
Vibration resistance		DIN EN 60068-2-6 with water 10...50 Hz: 1 mm with water 50...2000 Hz: 2 g
UL approval number		I002

### Mechanical data

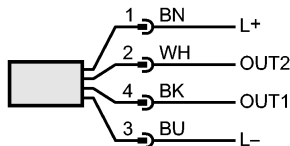
Process connection		G ½
Materials (wetted parts)		stainless steel (316L / 1.4404); ETFE; PA 6T; PPS; FKM
Housing materials		stainless steel (316L / 1.4404); PC; PBT+PC-GF 30; PPS; TPE-U
Tightening torque	[Nm]	30
Weight	[kg]	0.447

### Electrical connection

Connection		M12 connector; gold-plated contacts
------------	--	-------------------------------------

#### Wiring

- Core colors
- BK black
  - BN brown
  - BU blue
  - WH white



OUT1: analogue output temperature  
 OUT2: analogue output flow rate  
 Colours to DIN EN 60947-5-2

### Remarks

Remarks	MW = measured value MEW = final value of the measuring range
---------	---

Pack quantity	[piece]	1
---------------	---------	---