

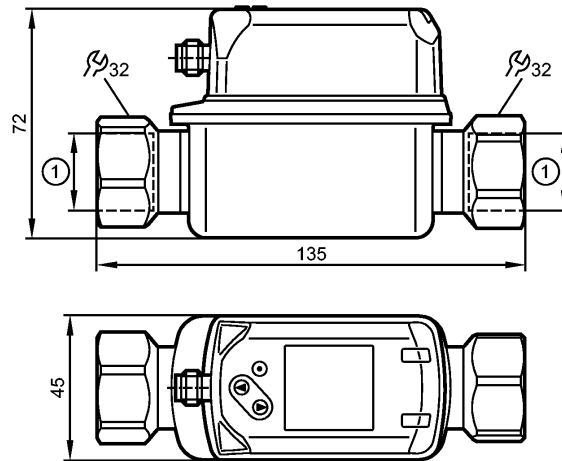


SV7204

SVR34XXX50KG/US-100



Flow sensors



1: G 3/4
DN 20



Product characteristics

Vortex flow meter

DN 20

Process connection: G 3/4

Measuring range

5...100 l/min

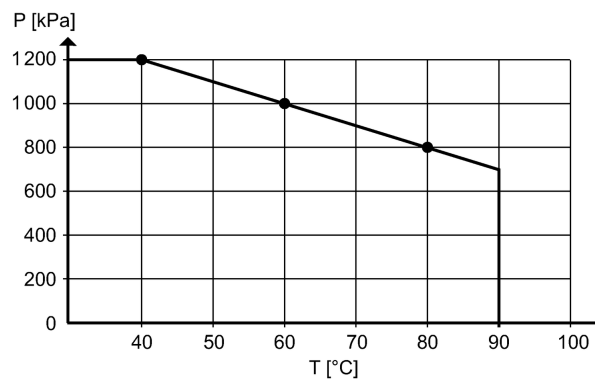
-10...90 °C

Application

Application

Liquids of the fluid group 2 according to the Pressure Equipment Directive (PED):
Water, deionised water, cooling water

Pressure rating [bar]



Pressure rating

[bar]

12; (up to 40 °C)

Medium temperature

[°C]

-10...90

Electrical data

Electrical design

DC

Operating voltage

[V]

18...30 DC

Current consumption

[mA]

< 30

Insulation resistance

[MΩ]

> 100 (500 V DC)

Protection class

III

Reverse polarity protection

yes

Outputs

Output function

OUT1 = analogue signal temperature
OUT2 = analogue signal flow



SV7204

SVR34XXX50KG/US-100



Flow sensors

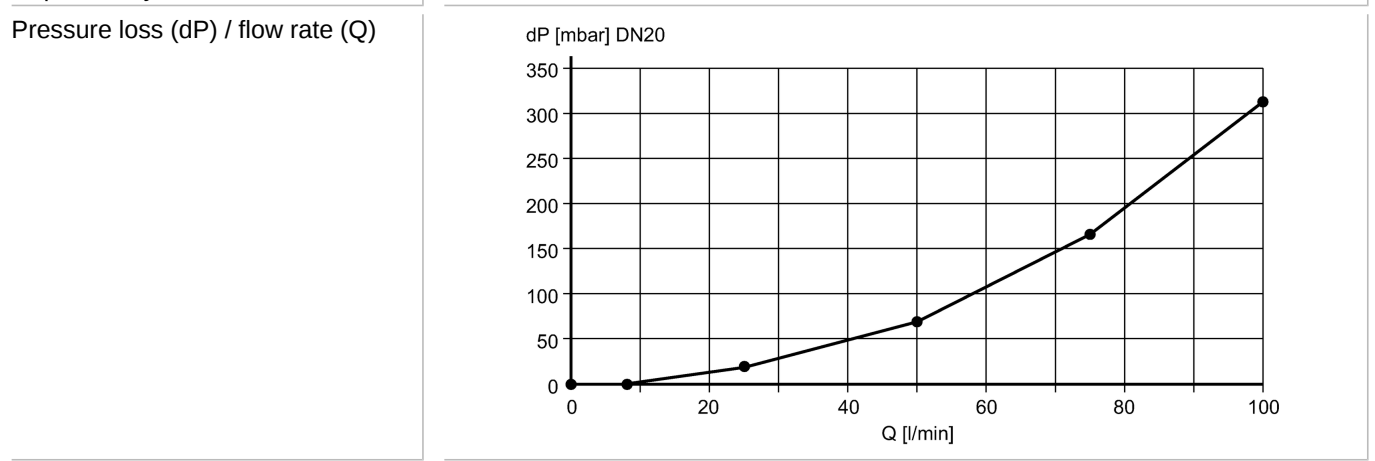
Short-circuit protection	yes
Overload protection	yes
Analog output	4...20 mA
Max. load [Ω]	500

Measuring / setting range

Flow monitoring		
Measuring range	5...100 [l/min]	0.3...6 [m³/h]
Display range	0...120 [l/min]	0...7.2 [m³/h]
Resolution	0.5 [l/min]	0.02 [m³/h]
Analog start point, ASP	0...80 [l/min]	0...4.8 [m³/h]
Analog end point, AEP	20...100 [l/min]	1.2...6 [m³/h]
in steps of	0.5 [l/min]	0.02 [m³/h]
Measuring dynamics	1:20	
Temperature monitoring		
Measuring range [°C]	-10...90	
Display range [°C]	-30...110	
Resolution [°C]	0.5	
Analog start point, ASP [°C]	-10...70	
Analog end point, AEP [°C]	10...90	
in steps of [°C]	0.5	

Accuracy / deviations

Flow monitoring	
Accuracy [% of the final value]	± 2 % MEW
Repeatability	± 0.5 % MEW



Temperature monitoring	
Accuracy [K]	± 1

Reaction times

Power-on delay time [s]	< 3
Flow monitoring	
Response time [s]	< 1 (dAP = 0)
Damping, dAP [s]	0...5
Temperature monitoring	
Response time [s]	T09 = 6

Software / programming

Programming options	Damping for the analog output (dAA); Display unit
---------------------	---



SV7204

SVR34XXX50KG/US-100



Flow sensors

Environment		
Ambient temperature	[°C]	0...60, at max. 80 °C medium temperature (0...50 °C at max. 90 °C medium temperature)
Storage temperature	[°C]	-20...80
Protection		IP 65 / IP 67

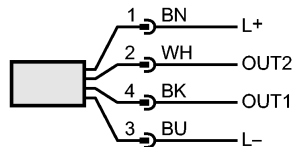
Tests / approvals		
Pressure equipment directive		sound engineering practice
EMC		DIN EN 61000-6-2 DIN EN 61000-6-3
Shock resistance		DIN EN 60068-2-27 5 g (11 ms)
Vibration resistance		DIN EN 60068-2-6 with water 10...50 Hz: 1 mm with water 50...2000 Hz: 2 g
UL approval number		I002

Mechanical data		
Process connection		G 3/4
Materials (wetted parts)		stainless steel (316L / 1.4404); ETFE; PA 6T; PPS; FKM
Housing materials		stainless steel (316L / 1.4404); PC; PBT+PC-GF 30; PPS; TPE-U
Tightening torque	[Nm]	30
Weight	[kg]	0.492

Electrical connection		
Connection		M12 connector; gold-plated contacts

Wiring

- Core colors
- BK black
 - BN brown
 - BU blue
 - WH white



OUT1: analogue output temperature
 OUT2: analogue output flow rate
 Colours to DIN EN 60947-5-2

Remarks		
Remarks		MW = measured value MEW = final value of the measuring range
Pack quantity	[piece]	1