

MDWE6

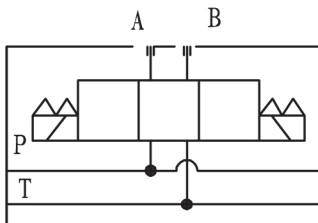
**MANIFOLD SOLENOID
DIRECTIONAL VALVES MDWE6 SERIES**

MDWE6 series modular directional valves is a new design including Pump side inlet element,directional valve element,modular valve element,side outlet element and mounting kit. Hose can be connected with MDWE6 valve directly without manifold,the compact design of the structure make the mounting size smaller and save the cost of manifold .

MWE6

MODULAR DIRECTIONAL VALVE ELEMENTS MWE6

SYMBOL

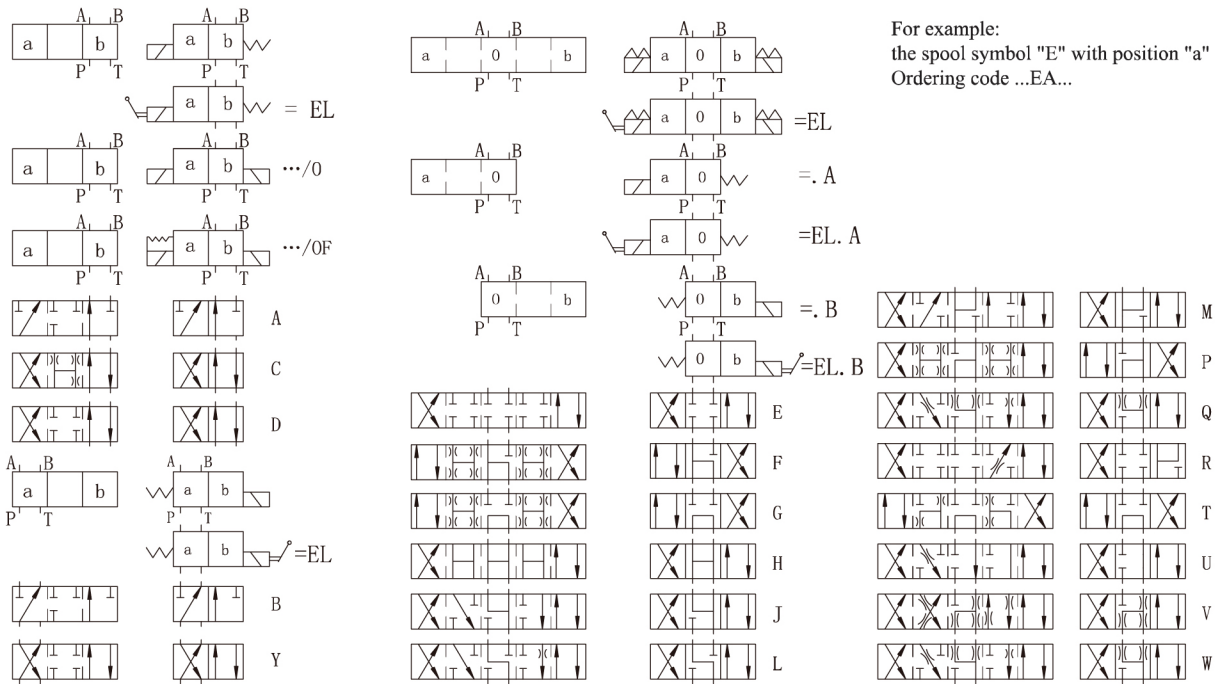


MWE6 series directional control valves are solenoid operated directional spool valves, these valves are used to the start, stop and direct flow.

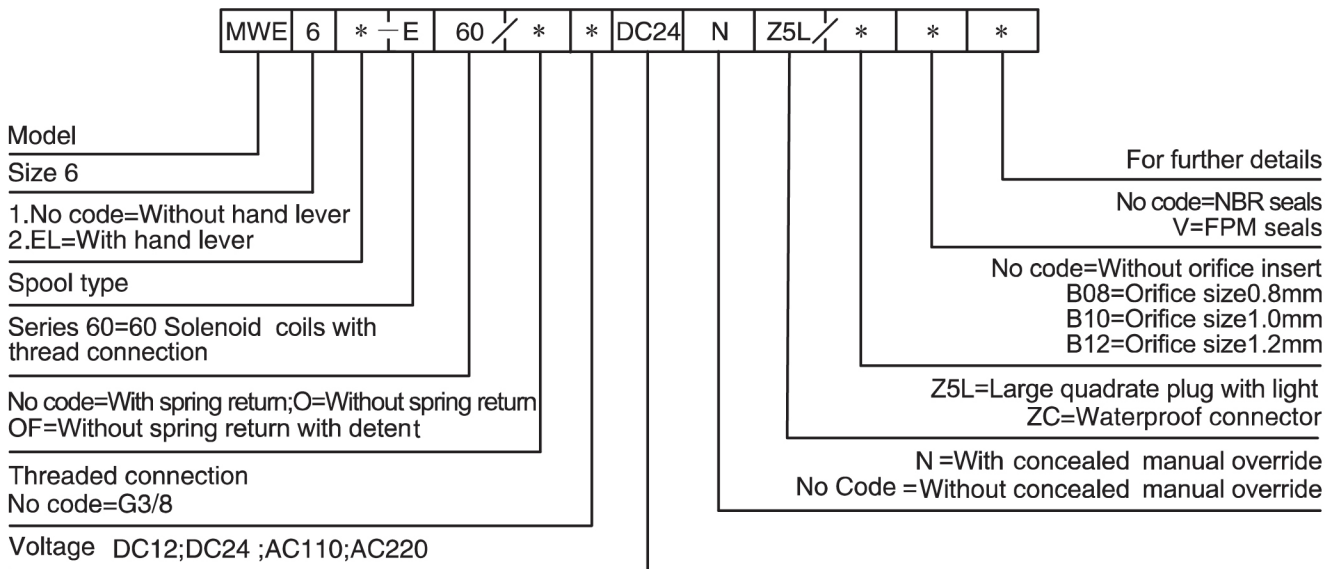
▶ Technical data

Size	6
Max flow rate (L/min)	40
Operating pressure (MPa)	31
Valve body (Material) Surface treatment	casting phosphating surface
Oil cleanliness	NAS class 1638 ISO4406 class 20/18/15

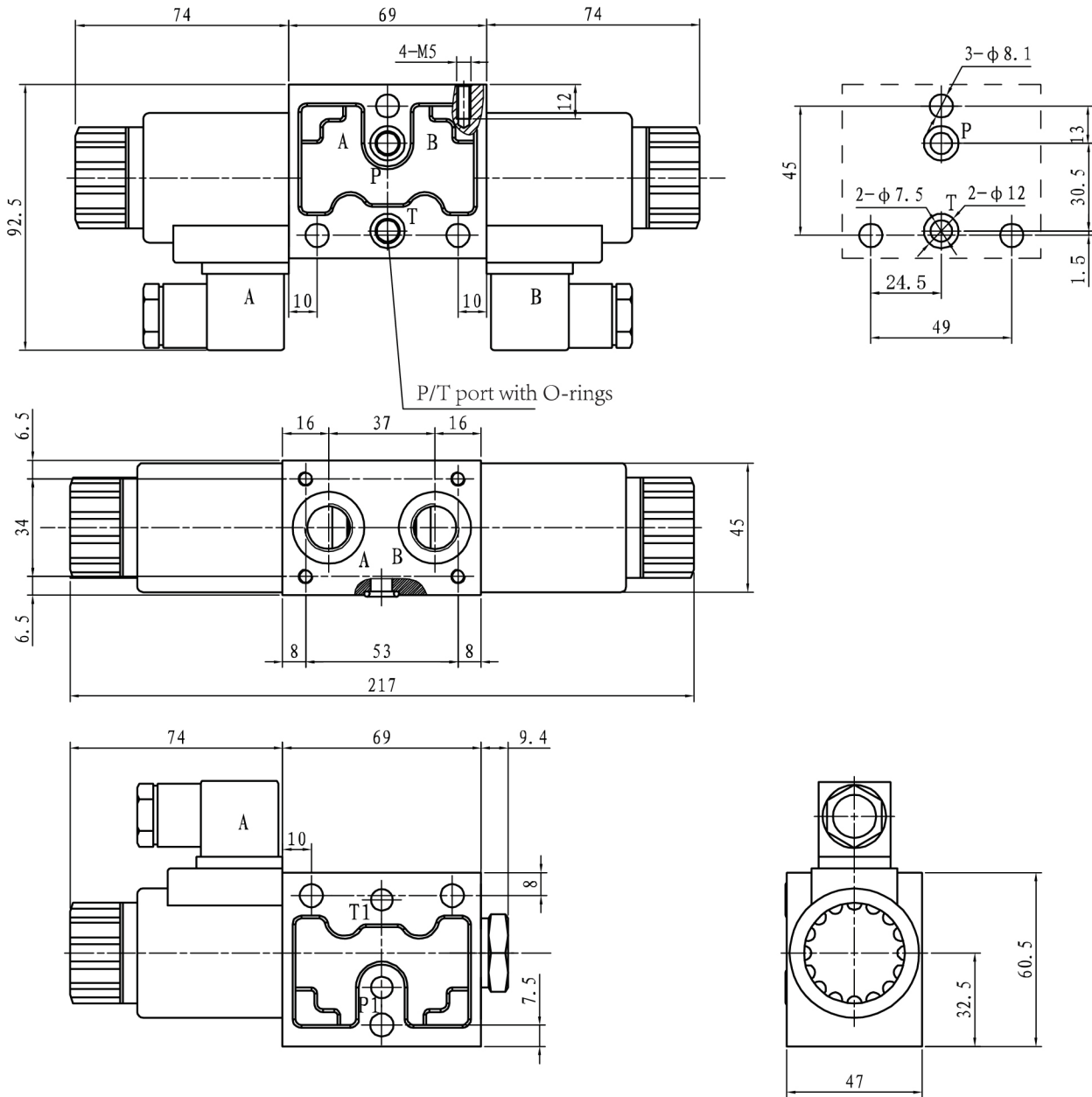
► Spool symbols



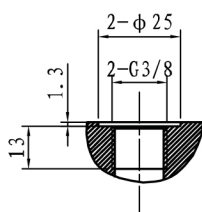
► Ordering Details



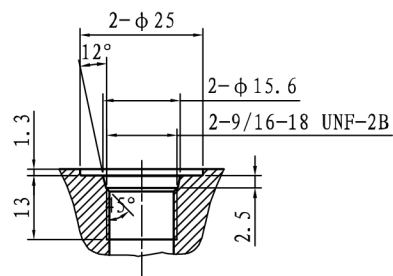
External Dimensions and Fittings



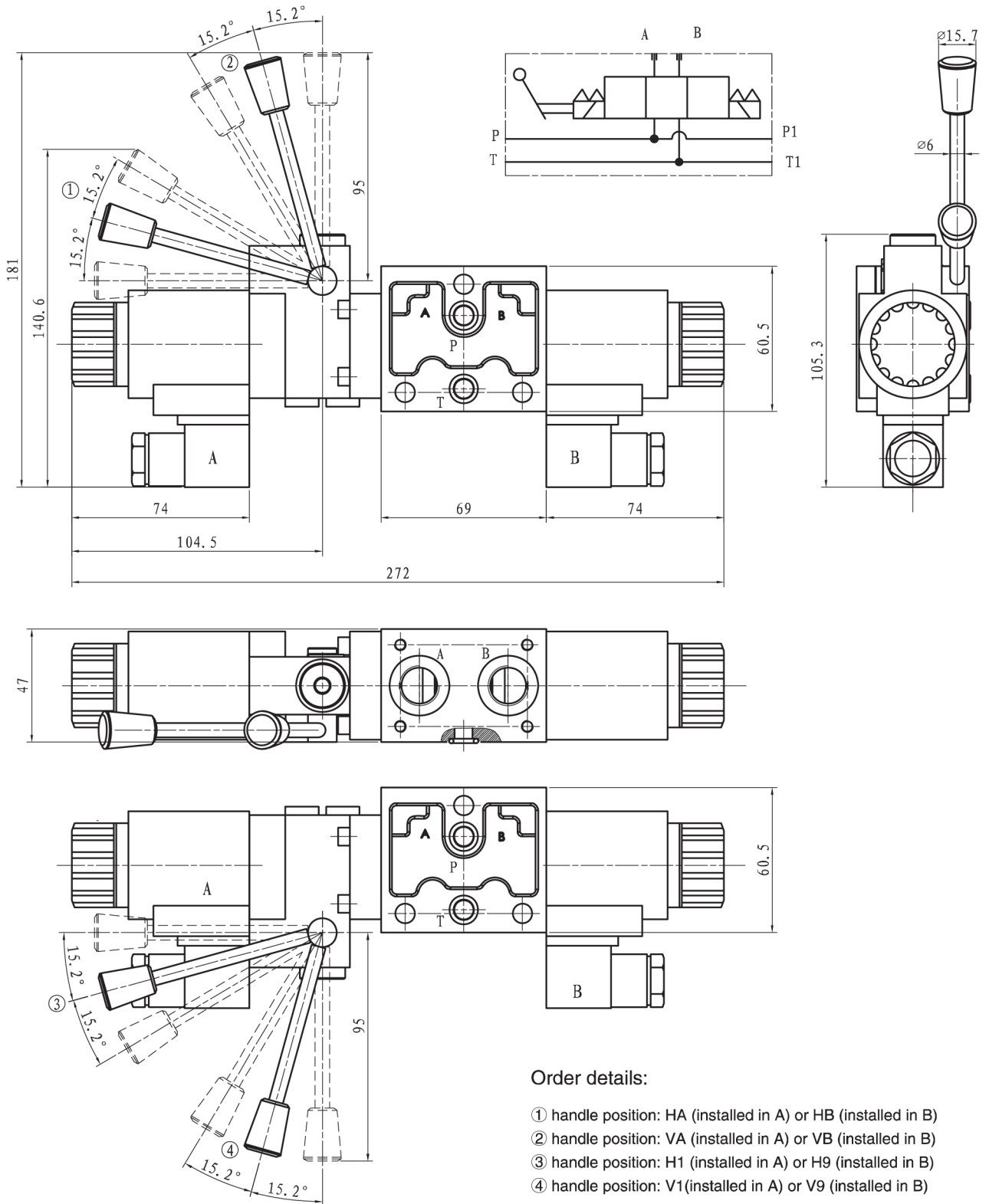
Sectional view of A,B oil port G3/8



Sectional view of A,B oil port SAE8 1.5:1



Installation Dimensions



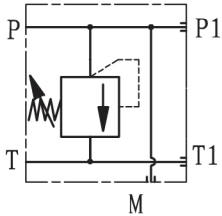
Order details:

- ① handle position: HA (installed in A) or HB (installed in B)
- ② handle position: VA (installed in A) or VB (installed in B)
- ③ handle position: H1 (installed in A) or H9 (installed in B)
- ④ handle position: V1 (installed in A) or V9 (installed in B)

PMWE6-G 3/8

PUMP SIDE INLET ELEMENTS WITH PRIMARY PRESSURE RELIEF VALVE PMWE6

SYMBOL

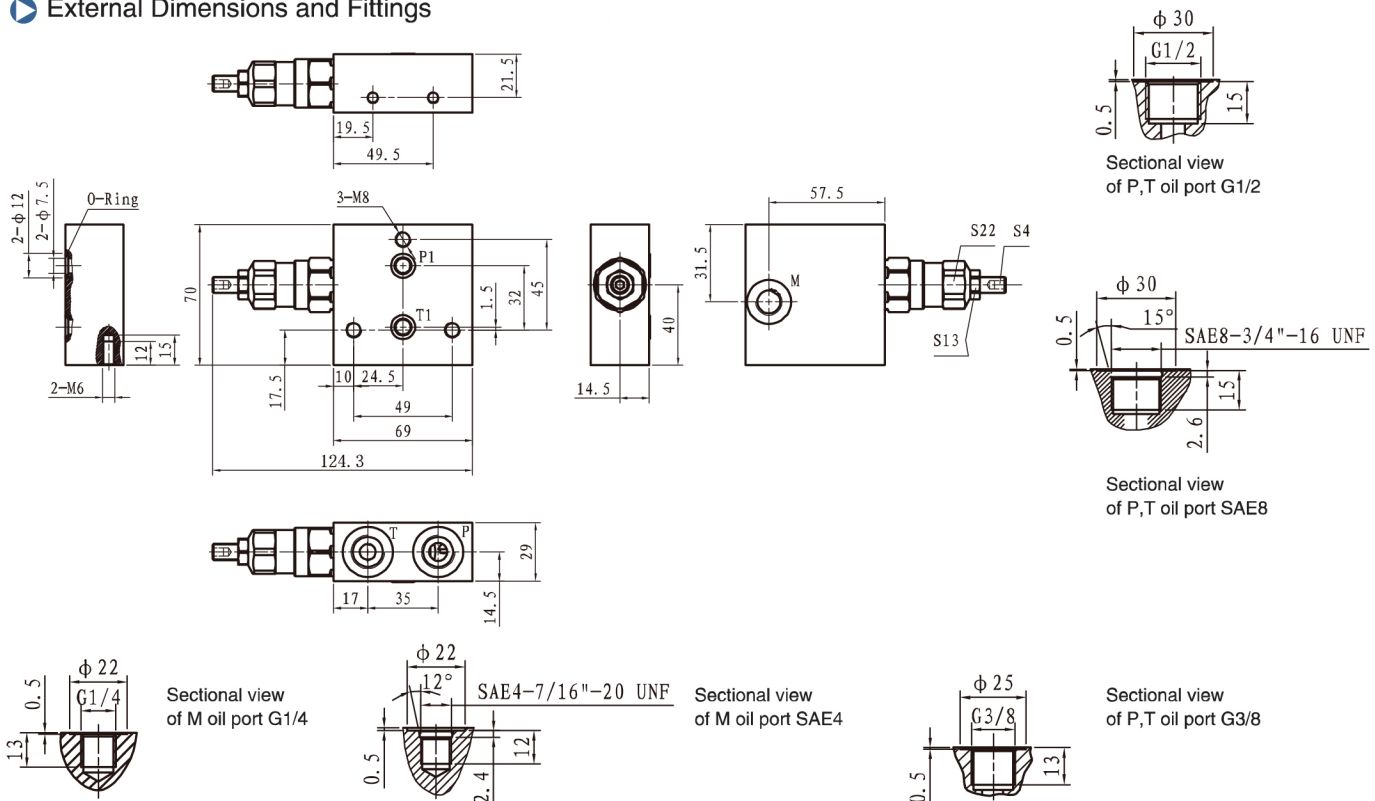


Technical data

Operating pressure(MPa)	31.5
Max flow rate (L/min)	50

Port	Threaded connection	
P,T	Inch	G3/8,G1/2
	American	SAE8(3/4"16 UNF)
M	Inch	G1/4
	American	SAE4(7/16"20 UNF)

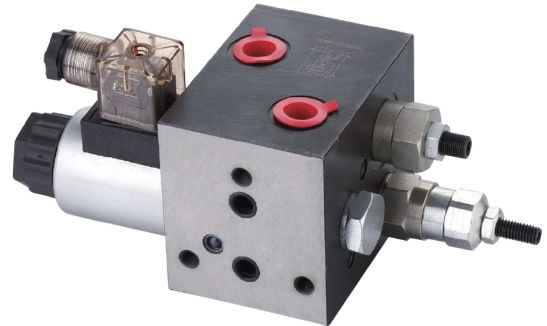
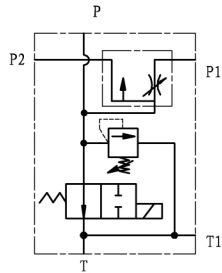
External Dimensions and Fittings



POH-MDWE6-1312-G 3/8-DC 12

**PUMP SIDE INLET ELEMENTS MANIFOLD
SOLENOID DIRECTIONAL VALVES
POH-MDWE6-1312**

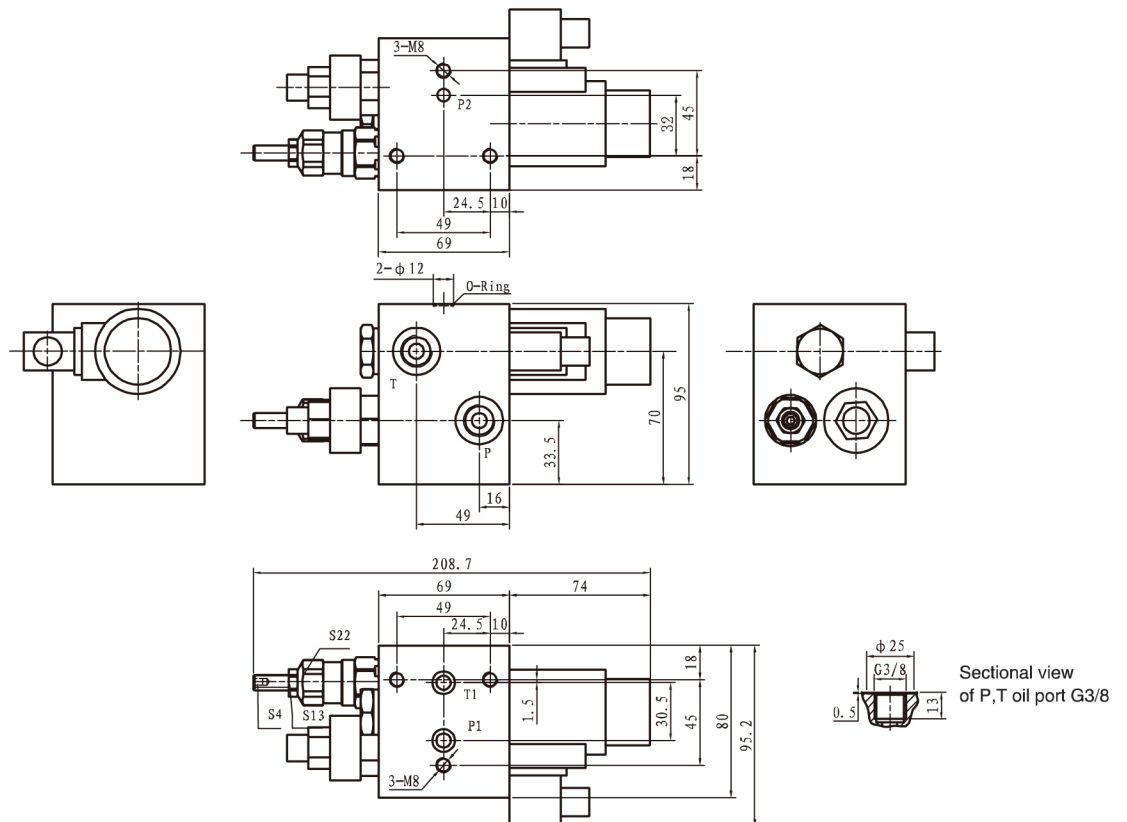
SYMBOL



Technical data

Operating pressure(MPa)	31.5
P Max flow rate (L/min)	80
P1 Max flow rate (L/min)	40
P2 Max flow rate (L/min)	40
Port	Size
P,T(Inch)	G3/8

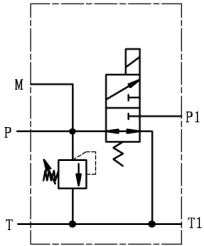
External Dimensions and Fittings



TWMDE6-G 1/2-DC 12

PUMP SIDE INLET ELEMENTS
TWMDE6

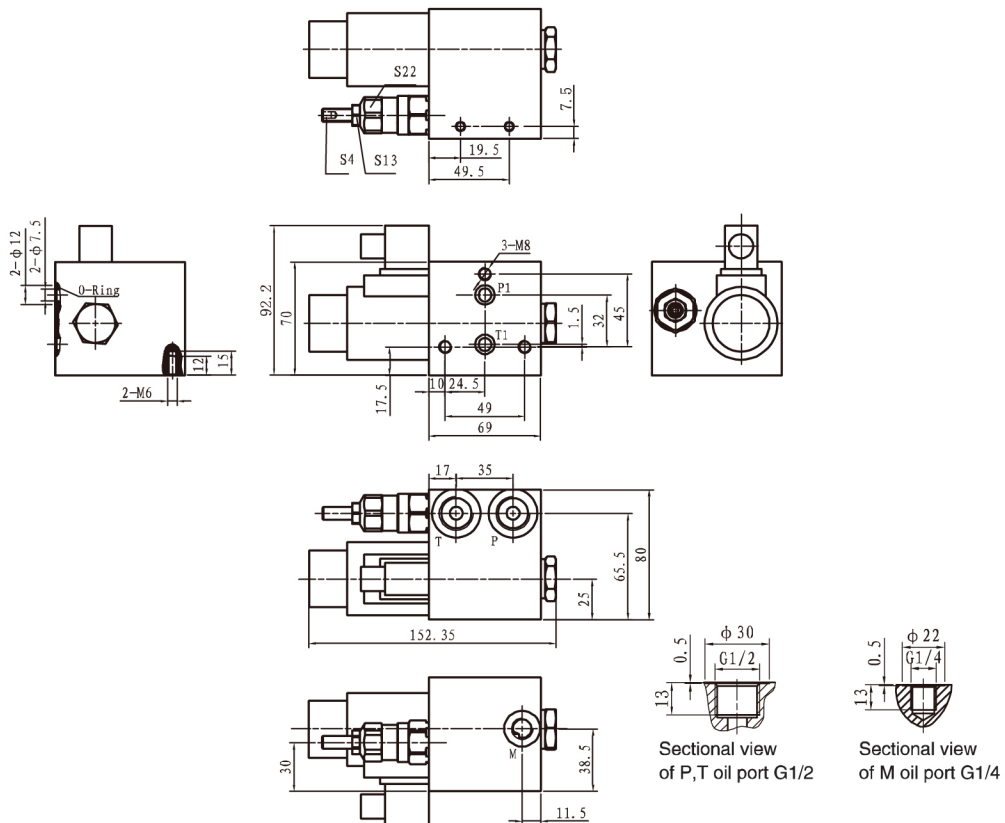
SYMBOL



Technical data

(L/min) Max flow rate (L/min)	50
(Mpa) Operating pressure (Mpa)	31.5
Port	Size
P,T(Inch)	G1/2
M(Inch)	G1/4

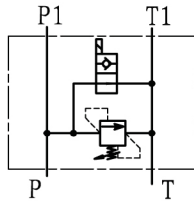
External Dimensions and Fittings



PSRMWE6-G 3/8-DC 12

PUMP SIDE INLET ELEMENTS WITH PRIMARY PRESSURE RELIEF VALVE PSRMWE6

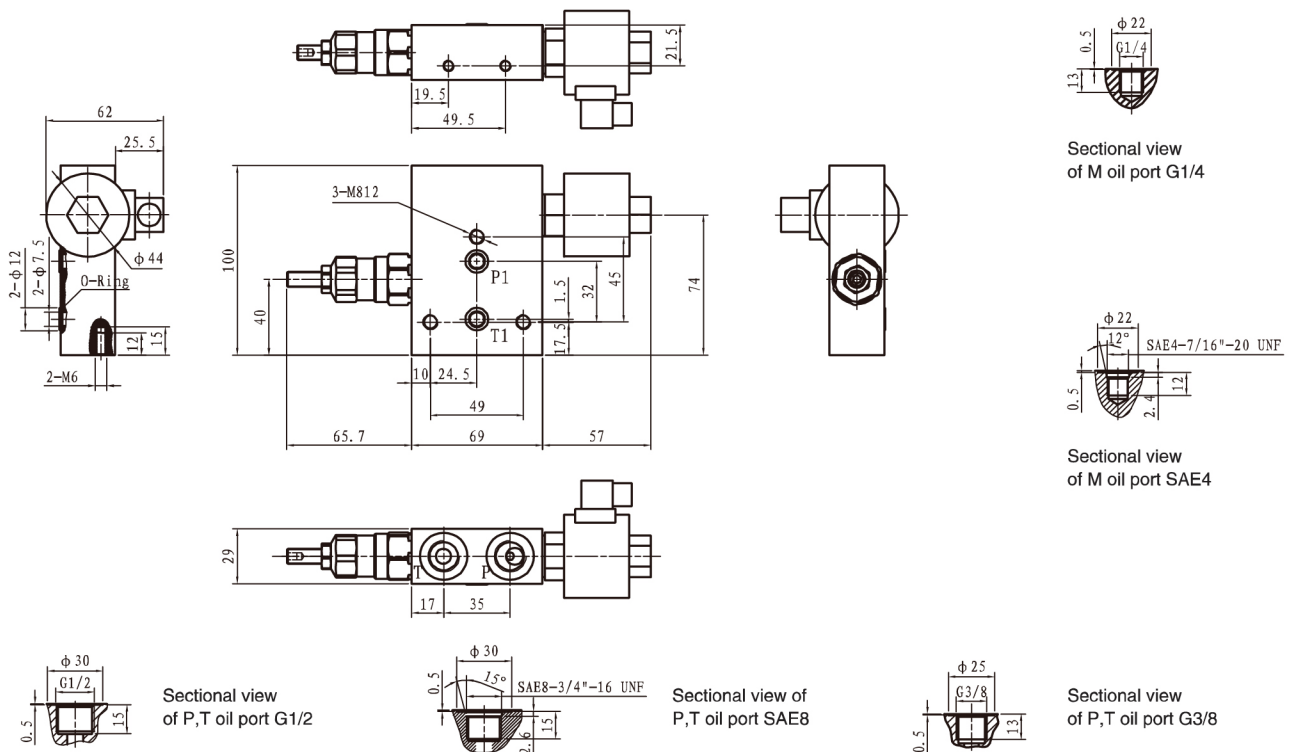
SYMBOL



Technical data

Operating pressure(MPa)	31.5	
Max flow rate (L/min)	50	
Port	Size	
P,T	Inch	G3/8,G1/2
	American	SAE8(3/4"16 UNF)
M	Inch	G1/4
	American	SAE4(7/16"20 UNF)

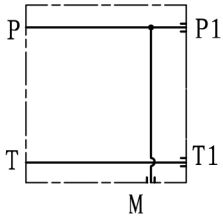
External Dimensions and Fittings



PTMWE6-G 3/8

PUMP SIDE INLET ELEMENTS PTMWE6

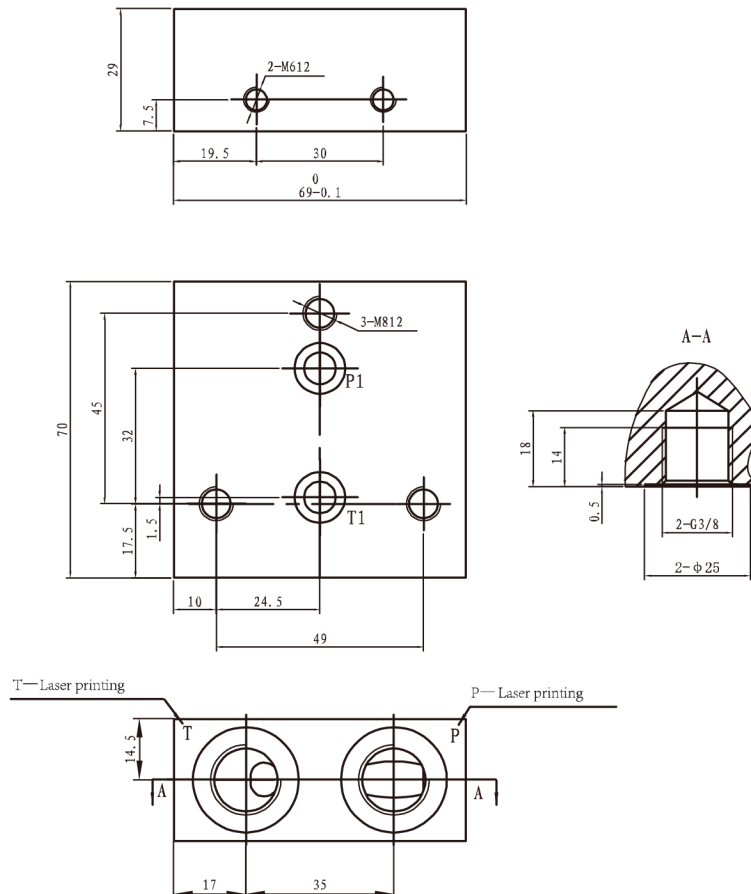
SYMBOL



▶ Technical data

(L/min) Max. flow rate (L/min)	50
(Mpa) Operating pressure (Mpa)	25
Oil cleanliness	NAS 1638 ISO4406 20/18/15 NAS class 1638 ISO4406 class 20/18/15

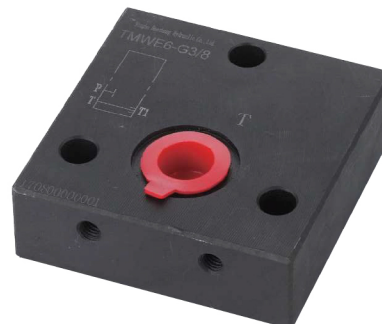
▶ External Dimensions and Fittings



TMWE6-G 3/8

OUTLET ELEMENTS TMWE6

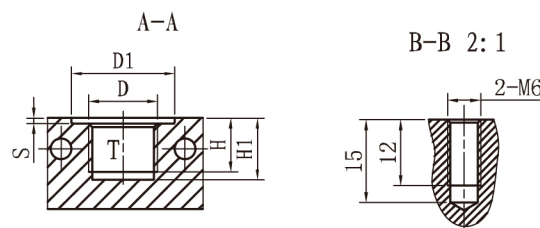
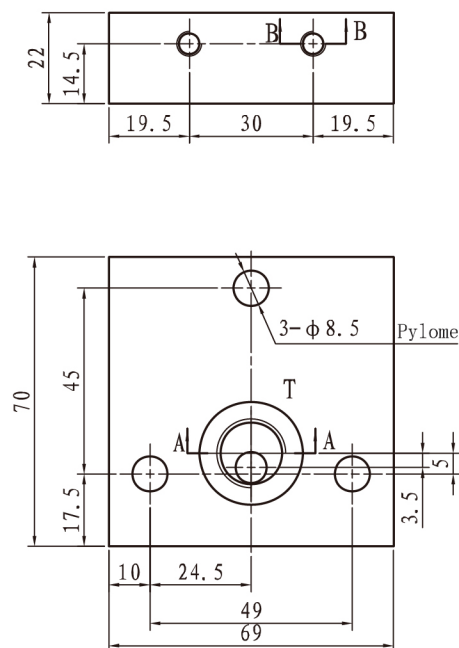
SYMBOL



Technical data

(L/min) Max.flow rate (L/min)	50
(Mpa) Operating pressure (Mpa)	25
Oil cleanliness	NAS 1638 ISO4406 20/18/15 NAS class 1638 ISO4406 class 20/18/15

Installation Dimensions



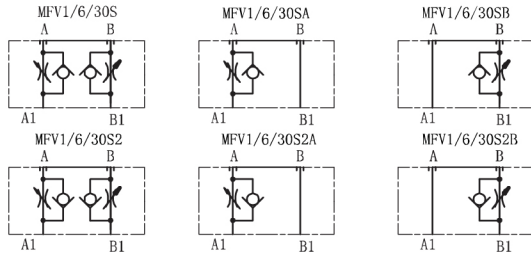
D	D1	H	H1	S
G3/8	φ25	13	15	1.3
G1/2	φ30	15	17	0.2

MFV

MFV SERIES MODULAR THROTTLE CHECK VALVES



SYMBOL

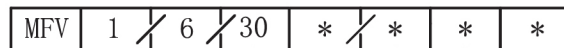


MFV series modular check/throttle valves are used to restrict flow in one direction while allowing free-flow .

Technical data

Model	MFV
Max flow rate (L/min)	40
Operating pressure (MPa)	31.5
Valve body (Material) Surface treatment	casting phosphating surface
Oil cleanliness	NAS class 1638 ISO4406 class 20/18/15

Ordering Details



Model

Threaded connections 1=G3/8

Size: 6

Series number 30 = Size6

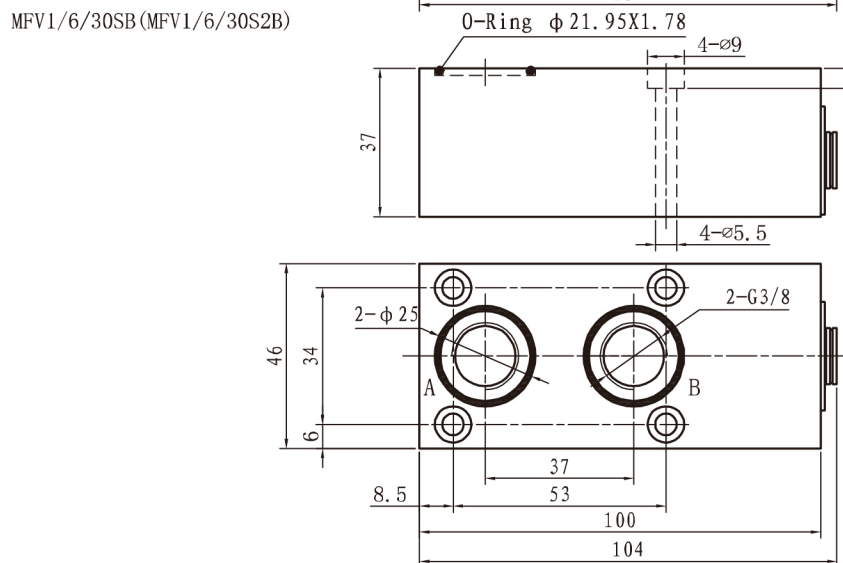
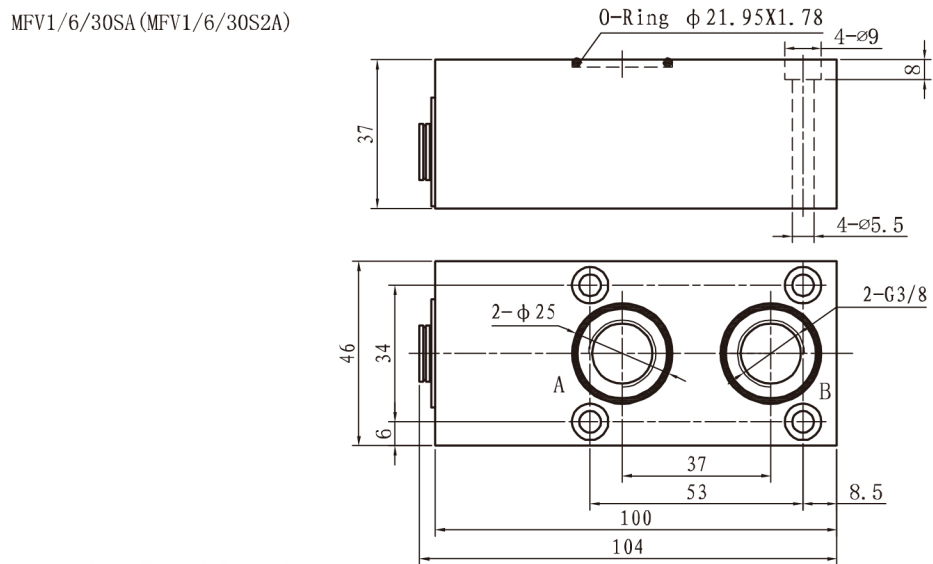
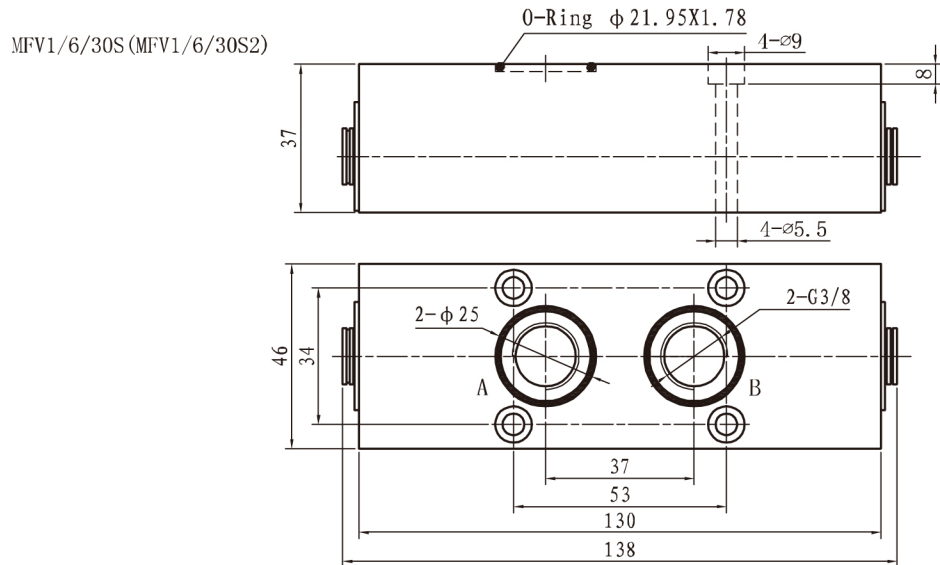
S=Meter-in control;S2=Meter-out control

For further details

No code=NBR seals
V=FPM seals

No code = A and B ports with throttle valves
A = A ports with throttle valve
B = B ports with throttle valve

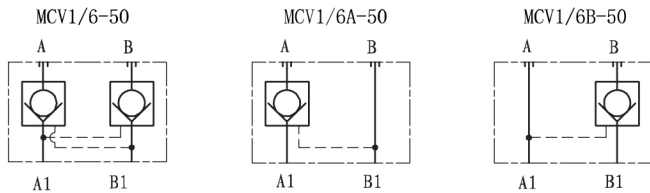
▶ External Dimensions and Fittings



MCV

MCV SERIES MODULAR PILOT CONTROLLED CHECK VALVES

SYMBOL

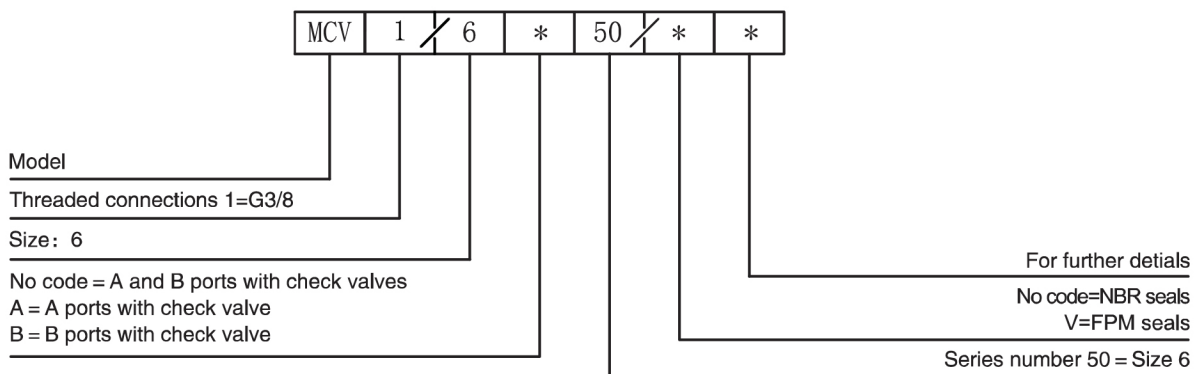


MCV series are pilot operated style sandwich valves. These valves used to close one or two actuator ports.

Technical data

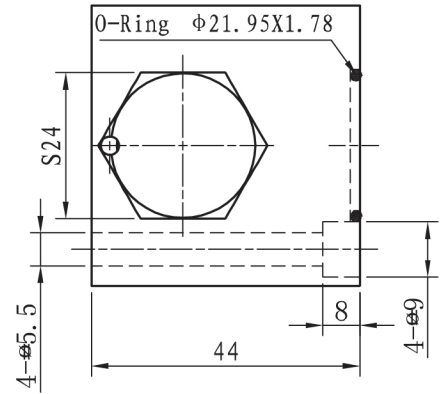
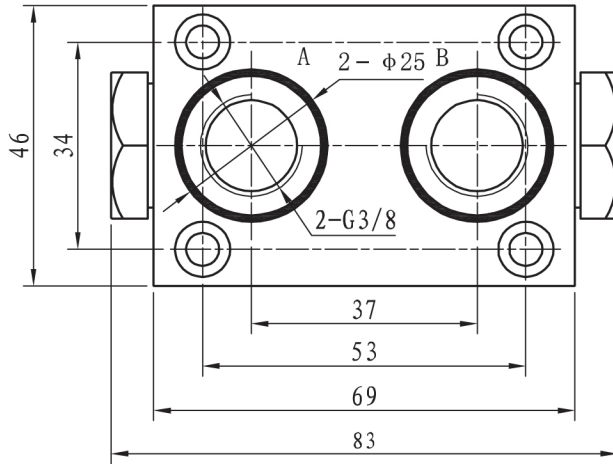
Model	MCV
Max flow rate (L/min)	40
Operating pressure (MPa)	31.5
Pilot ratio	3:1
Valve body (Material) Surface treatment	casting phosphating surface
Oil cleanliness	NAS class 1638 ISO4406 class 20/18/15

Ordering Details

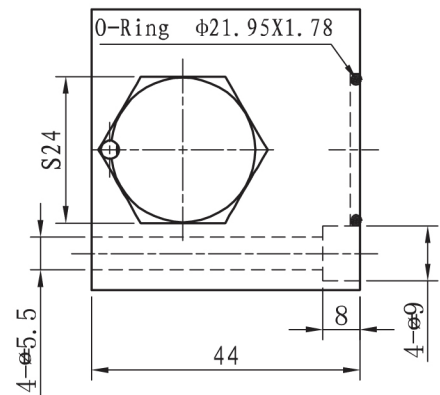
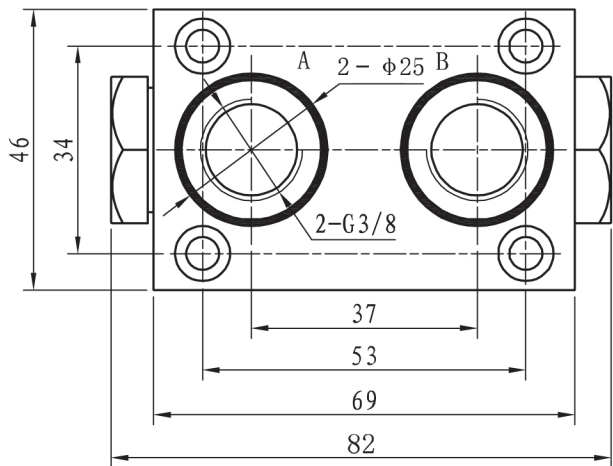


External Dimensions and Fittings

MCV1/6-50



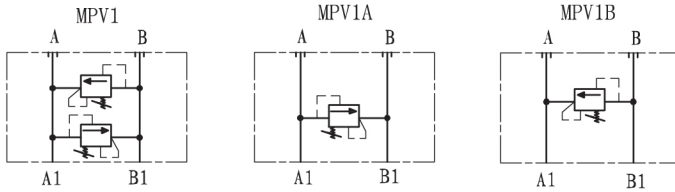
MCV1/6A-50(MCV1/6B-50)



MPV

MPV SERIES MODULAR PRESSURE RELIEF VALVES DIRECT ACTING

SYMBOL

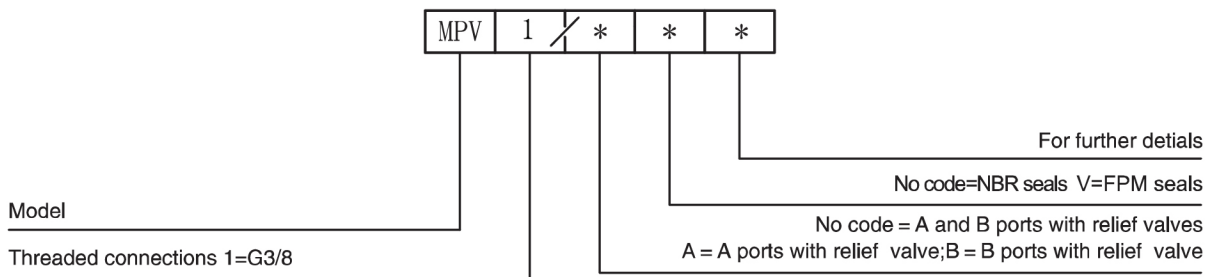


MPV series pressure relief valves are direct operated poppet type, it can supply overload protection for hydraulic systems.

Technical data

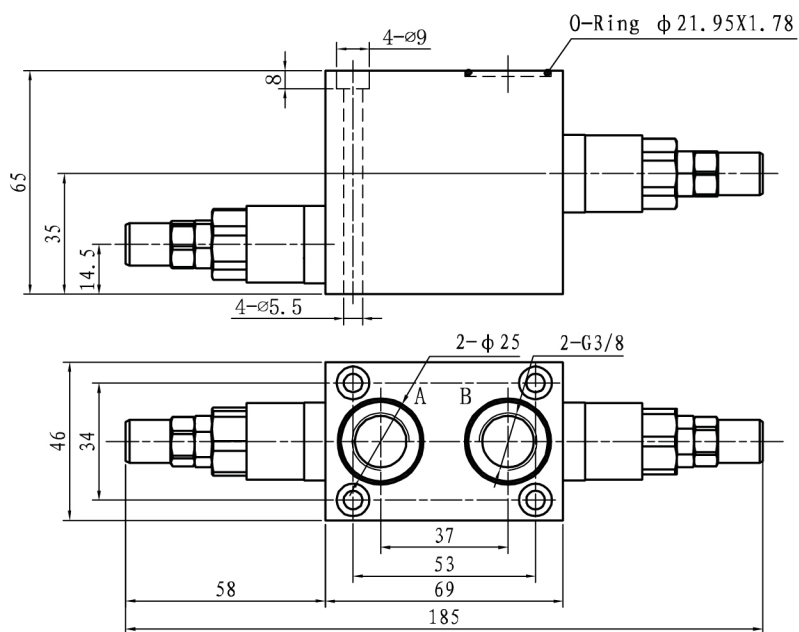
Model	MPV
Max flow rate (L/min)	40
Operating pressure (MPa)	31.5
Valve body (Material) Surface treatment	casting phosphating surface
Oil cleanliness	NAS class 1638 ISO4406 class 20/18/15

Ordering Details

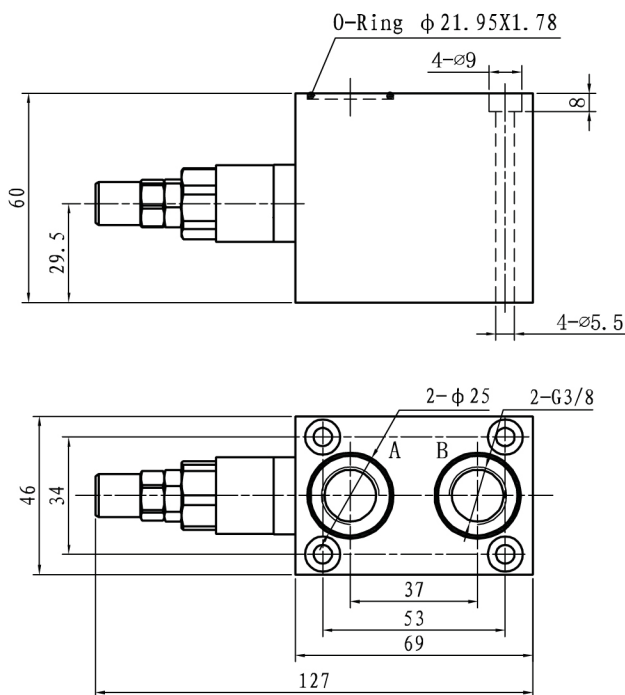


External Dimensions and Fittings

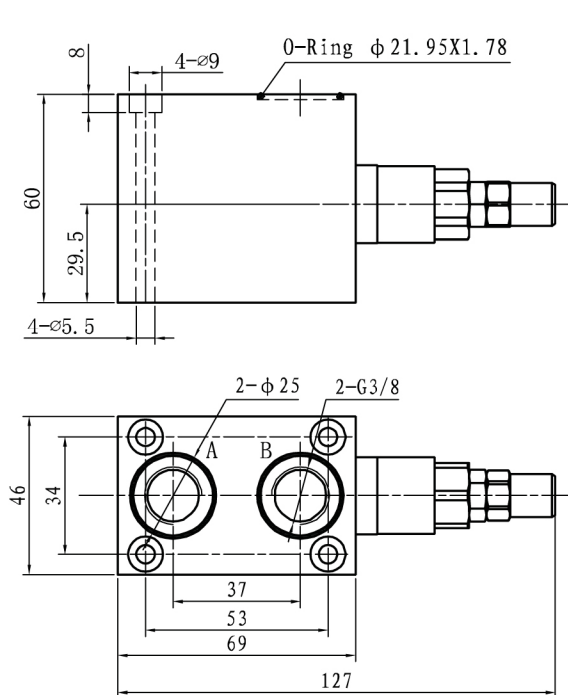
MPV1



MPV1A



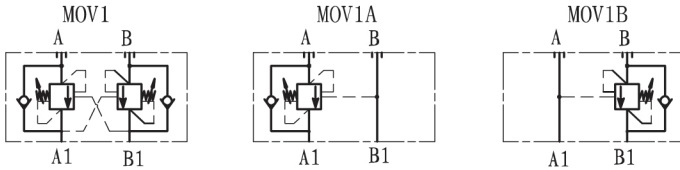
MPV1B



MOV

MOV SERIES MODULAR COUNTERBALANCE VALVES FOR OPEN CENTER

SYMBOL

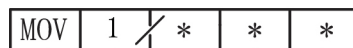


It provides static and dynamic control of load by regulating the flow IN and OUT of the actuator, through ports A and B. This valve module includes 2 sections, each one composed by a check and a relief valve pilot assisted by pressure in the opposite line: the check section allows free flow into the actuator, then holds the load against reverse movement; with pilot pressure applied at the line across, the pressure setting of the relief is reduced in proportion to the stated ratio until opening and allowing controlled reverse flow. Back-pressure at A1 or B1 is additive to the pressure setting in all functions.

Technical data

Model	MOV
Max flow rate (L/min)	40
Operating pressure (MPa)	31.5
Pilot ratio	4.3:1
Valve body (Material) Surface treatment	casting phosphating surface
Oil cleanliness	NAS class 1638 ISO4406 class 20/18/15

Ordering Details



Model

Threaded connections 1=G3/8

For further details

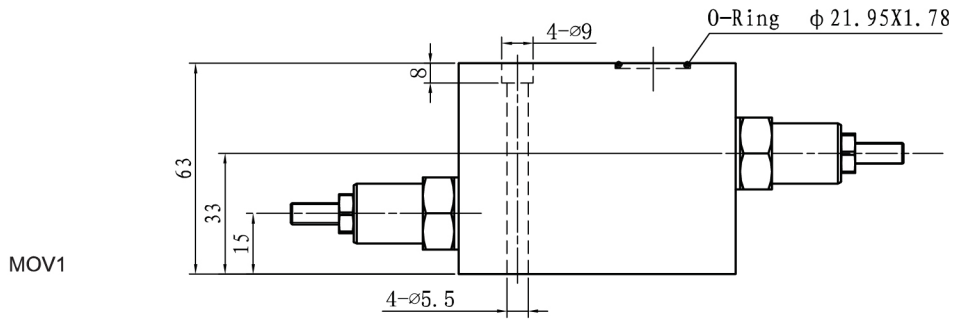
No code=NBR seals V=FPM seals

No code = A and B ports with counterbalance valves

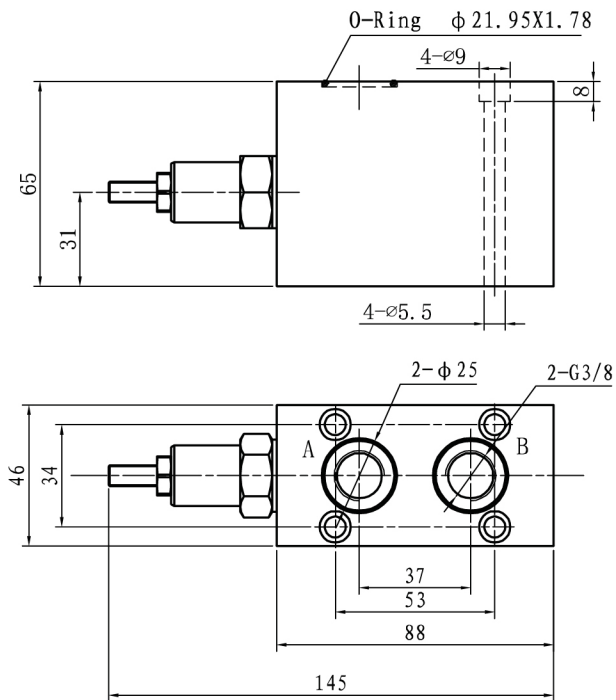
A = A ports with counterbalance valve

B = B ports with counterbalance valve

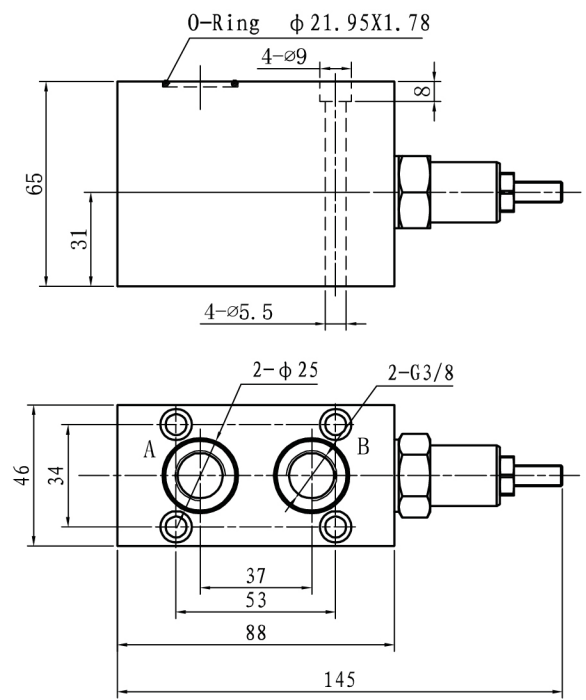
External Dimensions and Fittings



MOV1A



MOV1B

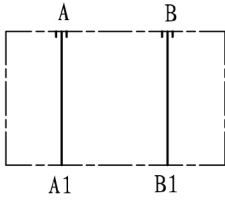


MFV1-02

MFV1-02 is the transition part, only used for the below situation:
 Directional valve with manual+Transition part+Modular check
 throttle valve.(Direct stacking)

For item code is MWE6**EL+MFV1-02+MFV

SYMBOL



External Dimensions and Fittings

