

## Technical data

### Air breathers & Filler plugs

#### Steel filler plug and air filter Flow rates up to 200 l/min

TA46 is a range of compact metal air breathers and filler caps for protection of the tank against the solid contamination contained into the air and filling of the fluid into the systems during the commissioning and maintenance procedures. They are directly fitted on the tank. The robust design allows the use of these filters in any heavy-duty application.

#### Available features:

- Male threaded connections up to 1/4" and flanged connection with bayonet, for a maximum flow rate of 200 l/min
- Fine cellulose filtration, to get a good cleanliness level into the reservoir
- Filling basket, to hold the coarse contamination contained into the fluid and to diffuse the fluid flow into the tank

#### Common applications:

- Compact hydraulic systems
- Compact mobile machines
- Industrial equipment

#### Flow rate $\Delta p$ 0.02 bar

TA46	Flow rate [l/min]	
	Filtration rating 03	10
	150	200

#### Materials (version G/N)

- Cover: Chrome plated steel
- Filter element: Resin impregnated paper, Polyurethane
- Flange: Galvanized steel
- Connection: Phosphatized steel

#### Materials (version B)

- Cover: Chrome plated steel
- Filter element: Resin impregnated paper, Polyurethane
- Flange: Galvanized steel
- Connection: Galvanized steel
- Seals: NBR
- Chain: Brass
- Screws: Galvanized steel
- Basket: Galvanized steel

#### Temperature

From -25 °C to +100 °C

#### Weight

TA 46 B 0.10 kg  
TA 46 G/N 0.11 kg



## Designation & Ordering code

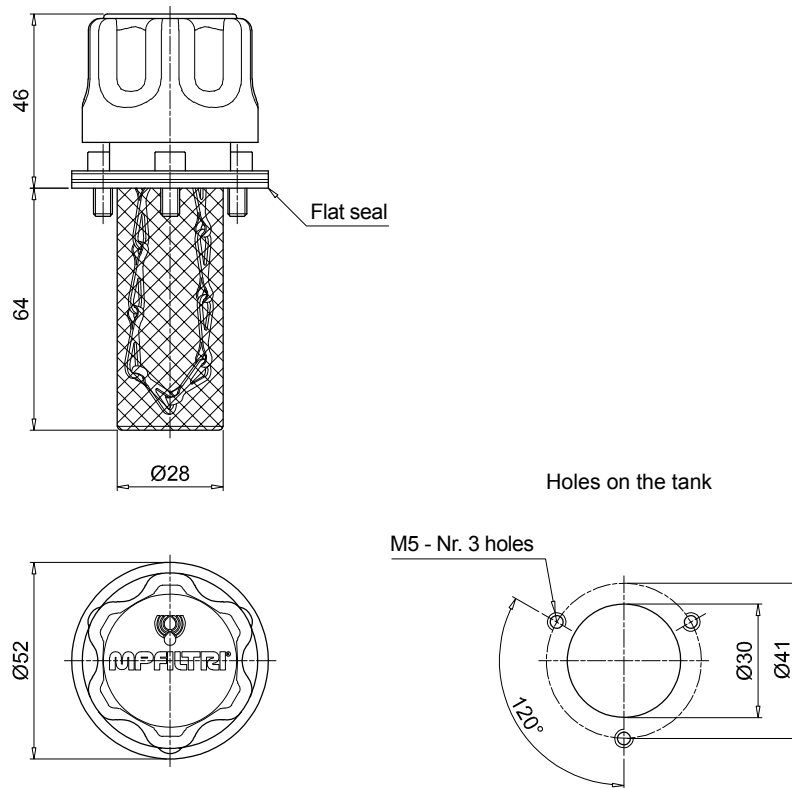
### COMPLETE FILLER PLUG

<b>Serie</b>	Configuration example 1:	TA46	B	03	A	0	0	1	P01
<b>TA46</b>	Configuration example 2:	TA46	G	10					P01
<b>Connections</b>									
<b>B</b>	Screwed flange with bayonet mount								
<b>G</b>	G 1/4"								
<b>N</b>	1/4" NPT								
<b>Filtration rating</b>									
<b>03</b>	Resin impregnated paper	3 $\mu$ m							
<b>10</b>	Polyurethane	10 $\mu$ m							
<b>Seals</b>									
<b>A</b>	NBR	Connection:	B	G	N				
<b>Valve</b>									
<b>0</b>	Without valve	Connection:	B	G	N				
<b>Version</b>									
<b>0</b>	Standard	Connection:	B	G	N				
<b>Basket</b>									
<b>1</b>	With basket	Connection:	B	G	N				

<b>Execution</b>	
<b>P01</b>	MP Filtri standard
<b>Pxx</b>	Customized

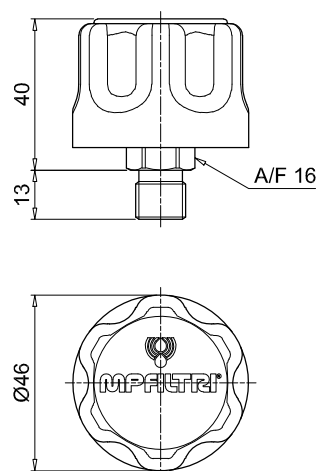
TA46

Screwed flange



TA46

Threaded connection



# TA 80 series

Metal oil filler and air breather filler cap



# TA 80 GENERAL INFORMATION

## Technical data

### Air breathers & Filler plugs

#### Metal oil filler and air breather filler cap Flow rate up to 550 l/min

TA80 is a range of metal air breathers and filler caps for protection of the tank against the solid contamination contained into the air and filling of the fluid into the systems during the commissioning and maintenance procedures.

They are usually directly fitted on the tank. The robust design allows the use of these filters in any heavy-duty application.

#### Available features:

- Male threaded connections up to 3/4" and flanged connection with bayonet, for a maximum flow rate of 550 l/min
- Fine cellulose filtration, to get a good cleanliness level into the reservoir
- Pressurization valve with different setting, to guarantee a positive pressure into the tank in any application with metal or plastic tanks
- Padlock tab, to secure the air breather to the tank
- Filling basket, to hold the coarse contamination contained into the fluid and to diffuse the fluid flow into the tank

#### Common applications:

- Hydraulic systems
- Mobile machines
- Industrial equipment

#### Flow rate $\Delta p$ 0.02 bar

TA80	Flow rate [l/min]	
	Filtration rating 03	10
	450	550

#### Materials

- Cover: Chrome Plated steel
- Filter element: Resin impregnated paper, Polyurethane
- Pressurization valve: Nylon (bodies), Galvanized steel (end cap - disk), Steel (spring), NBR (seals)
- Flange and anti-splash feature: Galvanized steel
- Seals: NBR
- Screws, Flange: Galvanized steel
- Chain, Ring: Brass
- Basket (only TA80B): Galvanized steel

#### Temperature

From -25 °C to +100 °C

#### Weight

L 80 mm 0.33 kg  
L 100 mm 0.35 kg

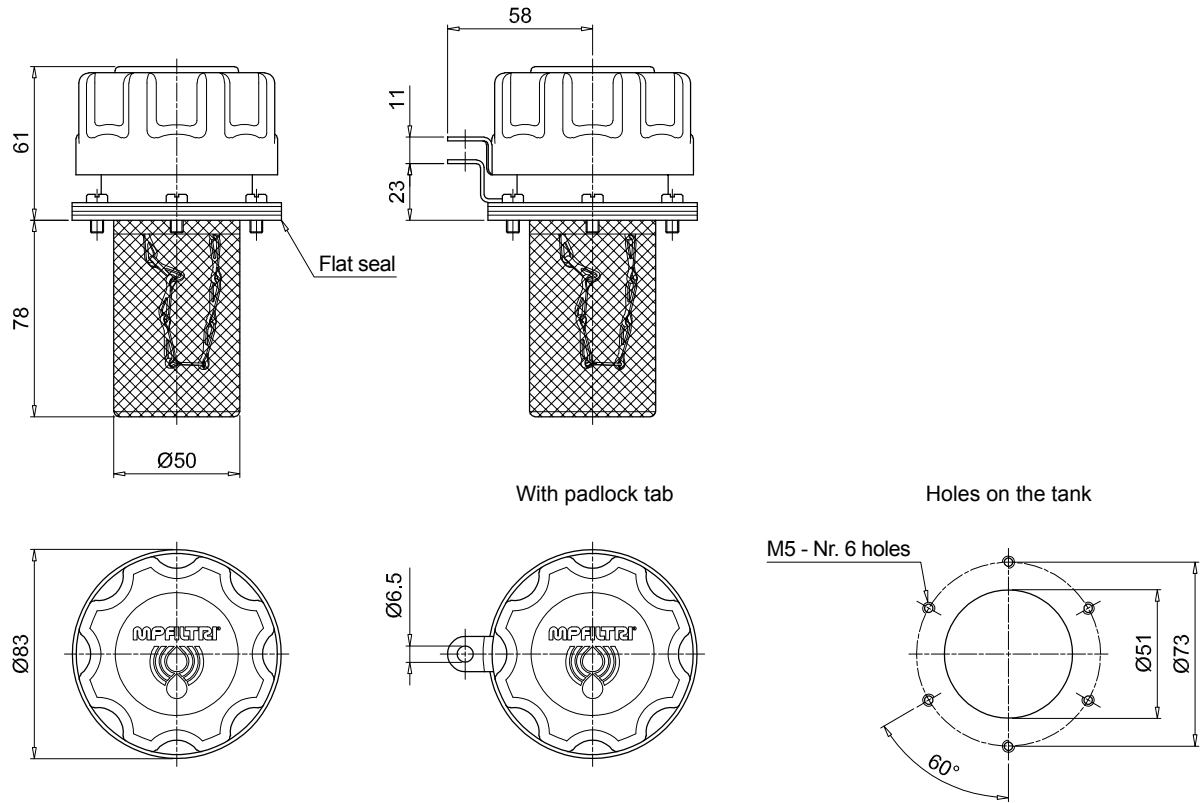


## Designation & Ordering code

### COMPLETE BREATHER PLUG - TA80

Series and size	Configuration example 1 : TA80 B 03 A 0 L 1 P01									
TA80	Configuration example 2 : TA80 G 10 A 2 P01									
<b>Connections to the tank</b>										
<b>B</b> Screwed flange with bayonet mount	<b>G</b> Thread G 3/4"									
<b>D</b> Weld flange with bayonet mount	<b>N</b> Thread 3/4" NPT									
<b>Filtration rating</b>										
	Connection:	<b>B</b>	<b>D</b>	<b>G</b>	<b>N</b>					
<b>00</b> Without filter (blind filler plug)		•	•							
<b>03</b> Resin impregnated paper 3 µm		•	•	•	•					
<b>10</b> Polyurethane 10 µm		•	•	•	•					
<b>Seals</b>										
<b>A</b> NBR										
<b>Valve</b>										
	Filtration rating:	<b>00</b>	<b>03</b>	<b>10</b>						
<b>0</b> Without valve		•	•	•						
<b>1</b> 0.3 bar pressurization valve			•	•						
<b>2</b> 0.7 bar pressurization valve			•	•						
<b>9</b> With anti-splash feature			•	•						
<b>Version</b>										
	Connection:	<b>B</b>	<b>D</b>	<b>G</b>	<b>N</b>					
<b>0</b> Standard		•	•							
<b>L</b> With padlock tab		•								
<b>Basket</b>										
	Connection:	<b>B</b>	<b>D</b>	<b>G</b>	<b>N</b>					
<b>0</b> Without basket		•	•							
<b>1</b> L = 80 mm		•								
<b>3</b> L = 100 mm			•							
<b>Execution</b>										
<b>P01</b> MP Filtri standard										
<b>Pxx</b> Customized										

**TA80**  
**Screwed flange**



**TA80**  
**Weld flange**  
**Threaded connection**

