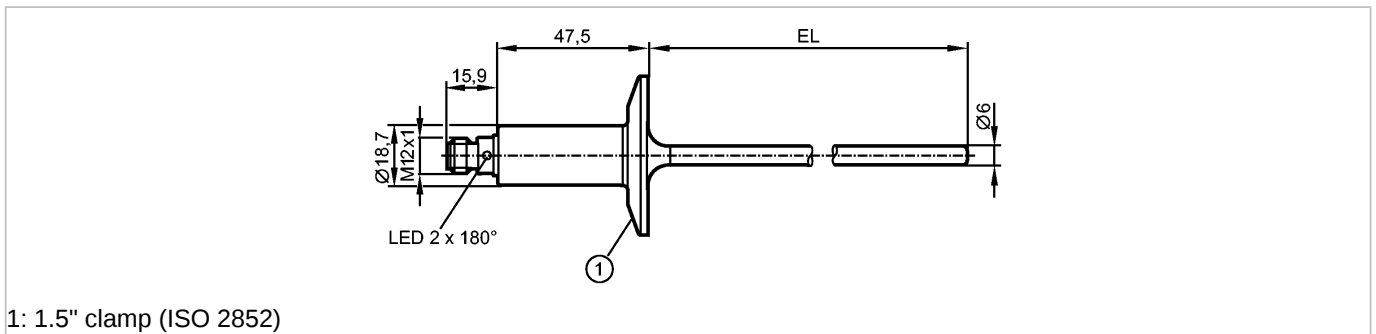


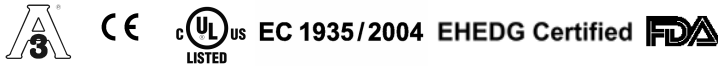
TA2812

TA-050CLEC01- - /US

Temperature sensors



1: 1.5" clamp (ISO 2852)



IO-Link

Product characteristics

| |
|--|
| Temperature transmitter |
| Process connection: 1.5" clamp (ISO 2852) |
| Installation length EL: 50 mm |
| Suitable for direct installation |
| Analog output |
| Measuring range: -50...200 °C |
| Measuring element: 1 x Pt 1000, to DIN EN 60751, class A |
| Factory setting: 0...200 °C |

Application

| | |
|--------------------------|-------------------|
| Application | liquids and gases |
| Pressure rating [bar] | 160 |
| Vacuum resistance [mbar] | -1000 |

Electrical data

| | |
|-----------------------------|---|
| Electrical design | DC |
| Operating voltage [V] | 18...32 DC; cULus - Class 2 source required |
| Current consumption [mA] | < 50 |
| Protection class | III |
| Reverse polarity protection | yes |

Outputs

| | |
|--------------------------|----------------------------------|
| Output | Analog output |
| Output function | 4...20 mA analog |
| Short-circuit protection | yes |
| Overload protection | yes |
| Analog output | 4...20 mA |
| Max. load [Ω] | 250 (18...19 V); 300 (19...32 V) |

Measuring / setting range

| | |
|--------------------|------------|
| Measuring range °C | -50...200 |
| Factory setting | 0...200 °C |
| Resolution | |
| Analog output [K] | ≤ 0.04 |

Accuracy / deviations

| | |
|-------------------|----------------------|
| Analog output [K] | ± 0.3 + (± 0.1 % MS) |
|-------------------|----------------------|

TA2812

TA-050CLEC01- - /US

Temperature sensors

| | |
|--|-----|
| Temperature coefficients (in % of the span per 10 K) | 0.1 |
|--|-----|

Reaction times

| | |
|--------------------------------|-------------|
| Power-on delay time [s] | 2 |
| Dynamic response T05 / T09 [s] | < 0.5 / < 2 |

Interfaces

| | |
|------------------|-------------------|
| IO-Link Device | |
| Transfer type | COM2 (38.4 kBaud) |
| IO-Link revision | 1.1 |

Environment

| | |
|--------------------------|---|
| Ambient temperature [°C] | -25...80, at max. 160 °C medium temperature (-25...60 °C at max. 200 °C medium temperature) |
| Storage temperature [°C] | -40...100 |
| Protection | IP 67 / IP 68 / IP 69K |

Tests / approvals

| | |
|----------------------|--------------------------------------|
| EMC | DIN EN 61000-6-2 DIN EN 61000-6-3 |
| Shock resistance | DIN IEC 68-2-27: 50 g (11 ms) |
| Vibration resistance | DIN IEC 68-2-6: 10 g (10...2000 Hz) |
| MTTF [Years] | 232 |

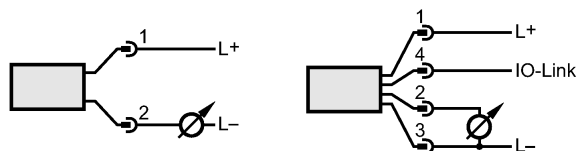
Mechanical data

| | |
|-----------------------------|--|
| Process connection | 1.5" clamp (ISO 2852) |
| Materials (wetted parts) | stainless steel 316L / 1.4404; surface characteristics Ra: < 0.6 |
| Probe diameter [mm] | 6 |
| Installation length EL [mm] | 50 |
| Housing materials | stainless steel 316L / 1.4404; PEI; FKM |
| Weight [kg] | 0.22 |

Electrical connection

| | |
|------------|---------------|
| Connection | M12 connector |
|------------|---------------|

Wiring



Remarks

| | |
|-----------------------|-------------------------|
| Remarks | MS = set measuring span |
| Pack quantity [piece] | 1 |