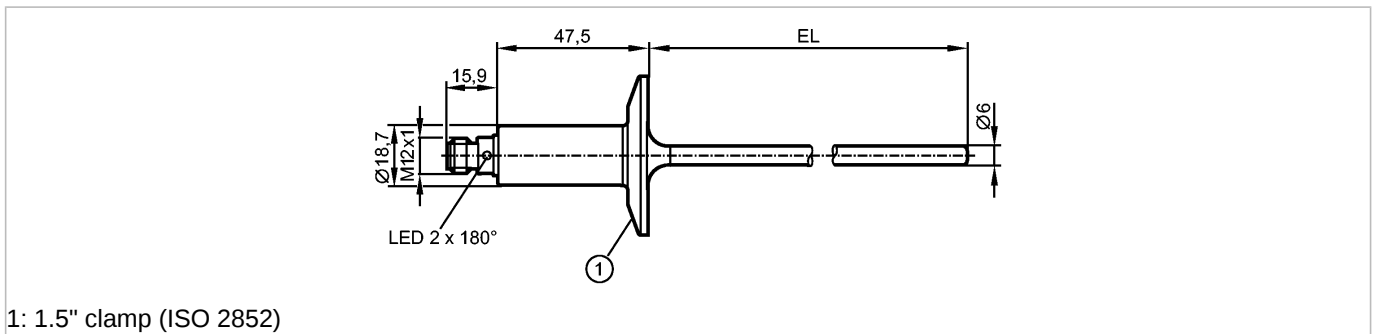


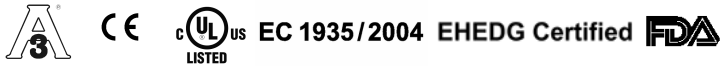
TA2832

TA-100CLEC01- - /US

Temperature sensors



1: 1.5" clamp (ISO 2852)



IO-Link

Product characteristics

Temperature transmitter
Process connection: 1.5" clamp (ISO 2852)
Installation length EL: 100 mm
Suitable for direct installation
Analog output
Measuring range: -50...200 °C
Measuring element: 1 x Pt 1000, to DIN EN 60751, class A
Factory setting: 0...200 °C

Application

Application	liquids and gases
Pressure rating [bar]	160
Vacuum resistance [mbar]	-1000

Electrical data

Electrical design	DC
Operating voltage [V]	18...32 DC; cULus - Class 2 source required
Current consumption [mA]	< 50
Protection class	III
Reverse polarity protection	yes

Outputs

Output	Analog output
Output function	4...20 mA analog
Short-circuit protection	yes
Overload protection	yes
Analog output	4...20 mA
Max. load [Ω]	250 (18...19 V); 300 (19...32 V)

Measuring / setting range

Measuring range °C	-50...200
Factory setting	0...200 °C
Resolution	
Analog output [K]	≤ 0.04

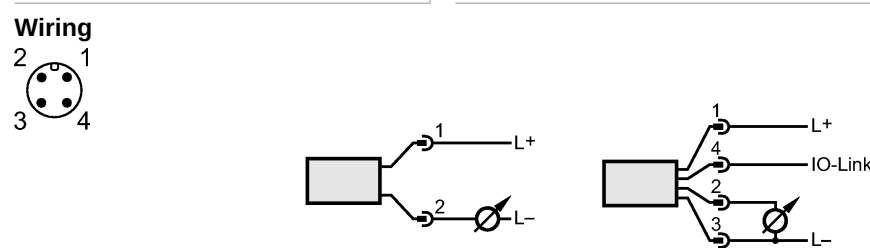
Accuracy / deviations

Analog output [K]	± 0.3 + (± 0.1 % MS)
-------------------	----------------------

TA2832

TA-100CLEC01- - /US

Temperature sensors

Temperature coefficients (in % of the span per 10 K)	0.1
Reaction times	
Power-on delay time [s]	2
Dynamic response T05 / T09 [s]	< 0.5 / < 2
Interfaces	
IO-Link Device	
Transfer type	COM2 (38.4 kBaud)
IO-Link revision	1.1
Environment	
Ambient temperature [°C]	-25...80, at max. 160 °C medium temperature (-25...60 °C at max. 200 °C medium temperature)
Storage temperature [°C]	-40...100
Protection	IP 67 / IP 68 / IP 69K
Tests / approvals	
EMC	DIN EN 61000-6-2 DIN EN 61000-6-3
Shock resistance	DIN IEC 68-2-27: 50 g (11 ms)
Vibration resistance	DIN IEC 68-2-6: 10 g (10...2000 Hz)
MTTF [Years]	324.3
Mechanical data	
Process connection	1.5" clamp (ISO 2852)
Materials (wetted parts)	stainless steel 316L / 1.4404; surface characteristics Ra: < 0.6
Probe diameter [mm]	6
Installation length EL [mm]	100
Housing materials	stainless steel 316L / 1.4404; PEI; FKM
Weight [kg]	0.225
Electrical connection	
Connection	M12 connector
Wiring	
	
Remarks	
Remarks	MS = set measuring span
Pack quantity [piece]	1