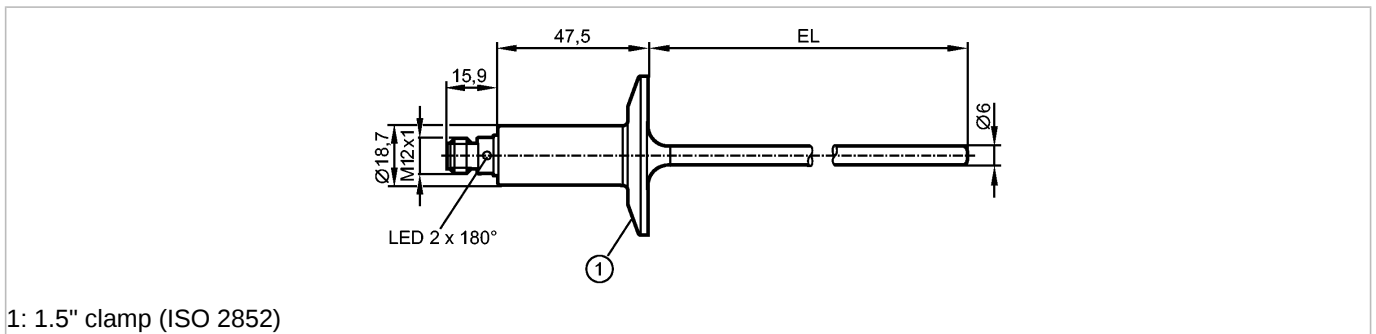


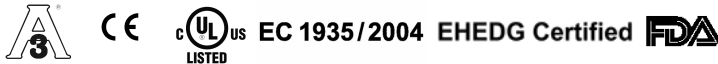
**TA2842**

TA-150CLEC01- - /US

Temperature sensors



1: 1.5" clamp (ISO 2852)



**IO-Link**

**Product characteristics**

|  |
|--|
| Temperature transmitter                                  |
| Process connection: 1.5" clamp (ISO 2852)                |
| Installation length EL: 150 mm                           |
| Suitable for direct installation                         |
| Analog output  |
| Measuring range: -50...200 °C                            |
| Measuring element: 1 x Pt 1000, to DIN EN 60751, class A |
| Factory setting: 0...200 °C                              |

**Application**

|                          |                   |
|--------------------------|-------------------|
| Application              | liquids and gases |
| Pressure rating [bar]    | 160               |
| Vacuum resistance [mbar] | -1000             |

**Electrical data**

|                             |   |
|-----------------------------|---|
| Electrical design           | DC  |
| Operating voltage [V]       | 18...32 DC; cULus - Class 2 source required |
| Current consumption [mA]    | < 50  |
| Protection class            | III   |
| Reverse polarity protection | yes   |

**Outputs**

|                          |                                  |
|--------------------------|----------------------------------|
| Output                   | Analog output                    |
| Output function          | 4...20 mA analog                 |
| Short-circuit protection | yes                              |
| Overload protection      | yes                              |
| Analog output            | 4...20 mA                        |
| Max. load [Ω]            | 250 (18...19 V); 300 (19...32 V) |

**Measuring / setting range**

|                    |            |
|--------------------|------------|
| Measuring range °C | -50...200  |
| Factory setting    | 0...200 °C |
| Resolution         |            |
| Analog output [K]  | ≤ 0.04     |

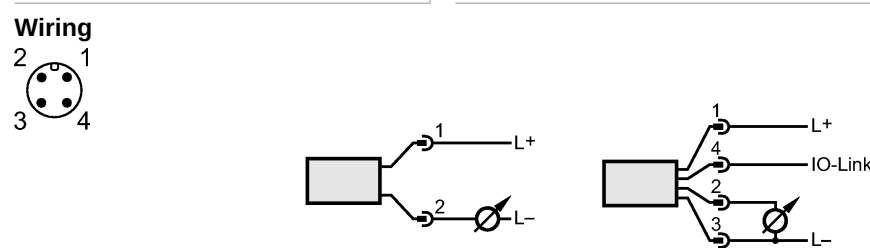
**Accuracy / deviations**

|                   |                      |
|-------------------|----------------------|
| Analog output [K] | ± 0.3 + (± 0.1 % MS) |
|-------------------|----------------------|

## TA2842

TA-150CLEC01- - /US

Temperature sensors

|   |   |  |
|---|---|--|
| Temperature coefficients (in % of the span per 10 K)                                |   | 0.1  |
| <b>Reaction times</b>   |   |  |
| Power-on delay time [s]   |   | 2  |
| Dynamic response T05 / T09 [s]  |   | < 0.5 / < 2  |
| <b>Interfaces</b>   |   |  |
| IO-Link Device  |   |  |
| Transfer type   |   | COM2 (38.4 kBaud)  |
| IO-Link revision  |   | 1.1  |
| <b>Environment</b>  |   |  |
| Ambient temperature [°C]  | -25...80, at max. 160 °C medium temperature (-25...60 °C at max. 200 °C medium temperature) |  |
| Storage temperature [°C]  | -40...100   |  |
| Protection  |   | IP 67 / IP 68 / IP 69K   |
| <b>Tests / approvals</b>  |   |  |
| EMC   |   | DIN EN 61000-6-2<br>DIN EN 61000-6-3                             |
| Shock resistance  |   | DIN IEC 68-2-27: 50 g (11 ms)                                    |
| Vibration resistance  |   | DIN IEC 68-2-6: 10 g (10...2000 Hz)                              |
| MTTF [Years]  |   | 232  |
| <b>Mechanical data</b>  |   |  |
| Process connection  |   | 1.5" clamp (ISO 2852)  |
| Materials (wetted parts)  |   | stainless steel 316L / 1.4404; surface characteristics Ra: < 0.6 |
| Probe diameter [mm]   |   | 6  |
| Installation length EL [mm]   |   | 150  |
| Housing materials   |   | stainless steel 316L / 1.4404; PEI; FKM                          |
| Weight [kg]   |   | 0.325  |
| <b>Electrical connection</b>  |   |  |
| Connection  |   | M12 connector  |
| <b>Wiring</b>   |   |  |
|  |   |  |
| <b>Remarks</b>  |   |  |
| Remarks   |   | MS = set measuring span  |
| Pack quantity [piece]   |   | 1  |