

TAP 50 series

Polyamide filler plug



TAP 50 GENERAL INFORMATION

Technical data

Air breathers & Filler plugs

Filler plug and polyamide air filters

Flow rates up to 200 l/min

TAP50 is a range of compact plastic air breathers and filler caps for protection of the tank against the solid contamination contained into the air and filling of the fluid into the systems during the commissioning and maintenance procedures.

Available features:

- Flanged connection with bayonet, for a maximum flow rate of 200 l/min
- Fine cellulose filtration, to get a good cleanliness level into the reservoir
- Filling basket, to hold the coarse contamination contained into the fluid and to diffuse the fluid flow into the tank

Common applications:

- Compact hydraulic systems
- Compact mobile machines
- Industrial equipment

Flow rate Δp 0.02 bar

| TAP50 | Flow rate [l/min] | |
|-------|----------------------|-----|
| | Filtration rating 03 | 10 |
| | 180 | 202 |

Materials

- Cover/ringnut: Polyamide
- Filter element: Resin impregnated paper, Polyurethane
- Pressurization valve: Polyamide, Galvanized steel, NBR
- Seals: NBR
- Flange: Polyamide
- Screws: Galvanized steel
- Basket: Polyamide

Temperature

From -25 °C to +100 °C

Weight

TAP 50 0.60 kg

Quantity

10 pcs/pack



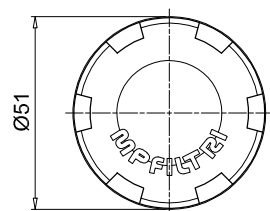
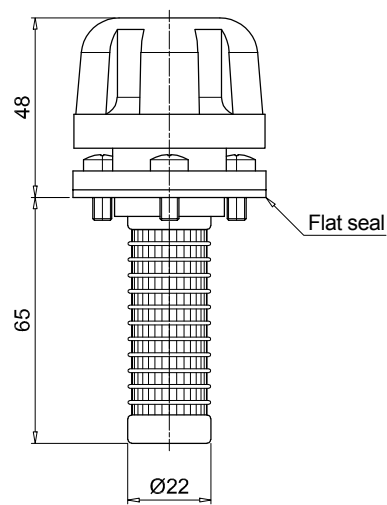
Designation & Ordering code

COMPLETE FILLER PLUG

| Serie | Configuration example : | TAP50 | C | 03 | A | 1 | 1 | P01 |
|--------------------------|----------------------------------|-------|---|----|---|---|---|-----|
| TAP50 | | | | | | | | |
| Connections | | | | | | | | |
| C | Screwed flange with G 3/4" mount | | | | | | | |
| Filtration rating | | | | | | | | |
| 03 | Resin impregnated paper 3 µm | | | | | | | |
| 10 | Polyurethane 10 µm | | | | | | | |
| Seals | | | | | | | | |
| A | NBR | | | | | | | |
| Valve | | | | | | | | |
| 0 | Without valve | | | | | | | |
| 1 | 0.5 bar pressurization valve | | | | | | | |
| Basket | | | | | | | | |
| 1 | With basket | | | | | | | |
| Execution | | | | | | | | |
| P01 | MP Filtri standard | | | | | | | |
| Pxx | Customized | | | | | | | |

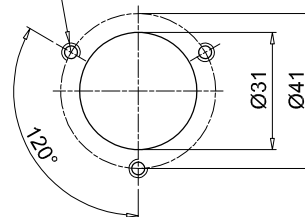
TAP50

Screwed flange



Holes on the tank

M5 - Nr. 3 holes



TAP 90 series

Nylon oil filler and air breather filler cap



TAP 90 GENERAL INFORMATION

Technical data

Air breathers & Filler plugs

Nylon oil filler and air breather filler cap

Flow rate up to 550 l/min

TAP90 is a range of plastic air breathers and filler caps for protection of the tank against the solid contamination contained into the air and filling of the fluid into the systems during the commissioning and maintenance procedures.

They are usually directly fitted on the tank.

Available features:

- Male threaded connections up to 1 1/2" and flanged connection with bayonet, for a maximum flow rate of 550 l/min
- Fine cellulose filtration, to get a good cleanliness level into the reservoir
- Pressurization valve with different setting, to guarantee a positive pressure into the tank in any application with metal or plastic tanks
- Padlock tab, to secure the air breather to the tank
- Filling basket, to hold the coarse contamination contained into the fluid and to diffuse the fluid flow into the tank
- Dipstick, to monitor the fluid level into the tank even in complicated positions

Common applications:

- Hydraulic systems
- Mobile machines
- Industrial equipment

Flow rate Δp 0.02 bar

| | Flow rate [l/min] | |
|--------------|-------------------|-----|
| | Filtration rating | 03 |
| TAP90 | 450 | 550 |

Materials

- Cover/Ringnut: Nylon
- Filter element: Resin impregnate paper, Polyurethane
- Pressurization valve: Nylon (bodies), Galvanized steel (end cap - disk), NBR (seals)
- Flange B: Nylon
- Seals: NBR
- Screws: Galvanized steel
- Padlock tab: Galvanized steel
- Chain, Ring: Brass
- Dipstick: Phosphatized steel
- Basket: Galvanized steel, Nylon

Temperature

From -25 °C to +100 °C

Weight

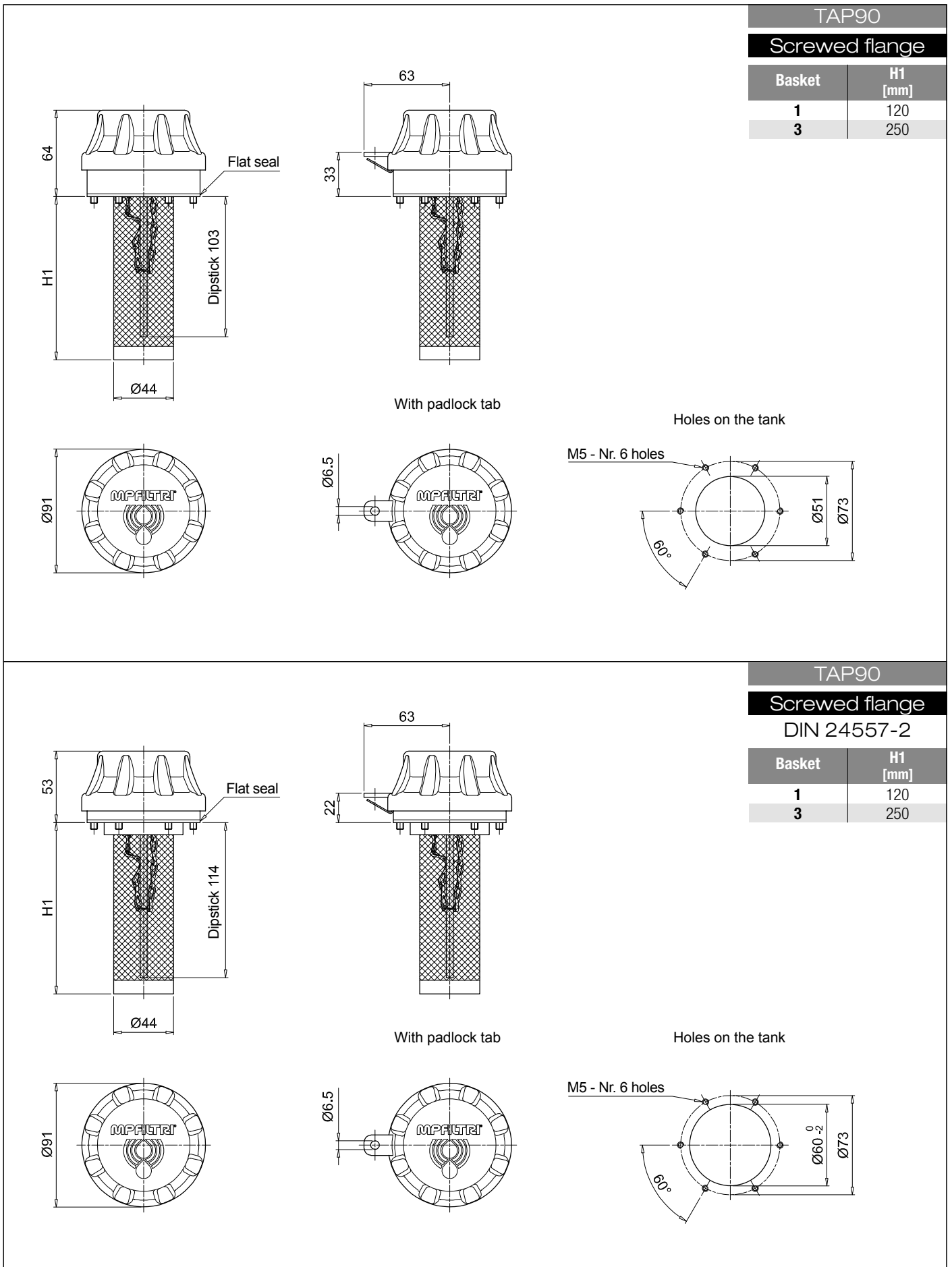
L 120 mm 0.25 kg
L 250 mm 0.31 kg



Designation & Ordering code

COMPLETE BREATHER PLUG - TAP90

| Series and size | Configuration example 1 : TAP90 | | | | | | | | | | |
|--|--|----|----|----|----|---|-----|--|--|--|--|
| TAP90 | R | 03 | A | 1 | A | 1 | P01 | | | | |
| | Configuration example 2 : TAP90 | | | | | | | | | | |
| | G | 10 | A | 2 | L | | P01 | | | | |
| Connections to the tank | | | | | | | | | | | |
| R Screwed flange with M52x2 mount | H Thread G 1 1/2" | | | | | | | | | | |
| F Screwed flange DIN 24557-2 | M Thread 3/4" NPT | | | | | | | | | | |
| C Weld riser | G Thread M52x2 | | | | | | | | | | |
| Q Thread G 3/4" | | | | | | | | | | | |
| | Connection | | | | | | | | | | |
| Filtration rating | R | F | C | Q | H | M | G | | | | |
| 00 Without filter (blind filler plug) | • | • | • | | | | | | | | |
| 03 Resin impregnate paper 3 µm | • | • | • | • | • | • | • | | | | |
| 10 Polyurethane 10 µm | • | • | • | • | • | • | • | | | | |
| Valve | Filtration rating: | | 00 | 03 | 10 | | | | | | |
| 0 Without valve | | | • | • | • | | | | | | |
| 1 0.3 bar pressurization valve | | | | • | • | | | | | | |
| 2 0.7 bar pressurization valve | | | | • | • | | | | | | |
| Version | | | | | | | | | | | |
| 0 Standard | A With dipstick | | | | | | | | | | |
| L With padlock tab | F With padlock tab and dipstick | | | | | | | | | | |
| | Connection | | | | | | | | | | |
| Basket | R | F | C | Q | H | M | G | | | | |
| 0 Without basket | • | • | • | | | | | | | | |
| 1 With basket 120 mm | • | • | • | | | | | | | | |
| 3 With basket 250 mm | • | • | • | | | | | | | | |
| Seals | | | | | | | | | | | |
| A NBR | | | | | | | | | | | |
| Execution | | | | | | | | | | | |
| P01 MP Filtri standard | | | | | | | | | | | |
| Pxx Customized | | | | | | | | | | | |

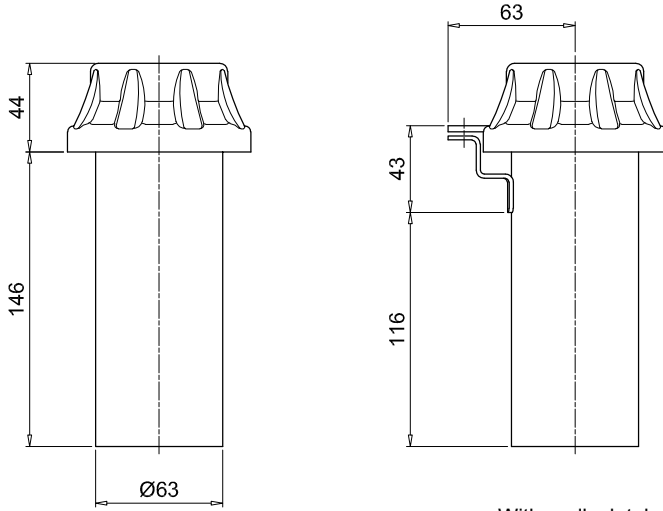


TAP 90

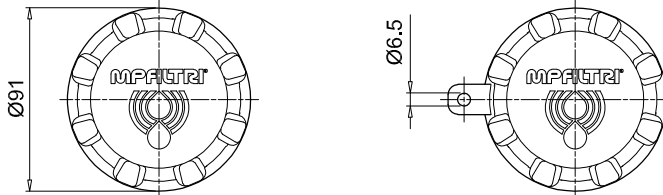
Dimensions

TAP90

Weld riser



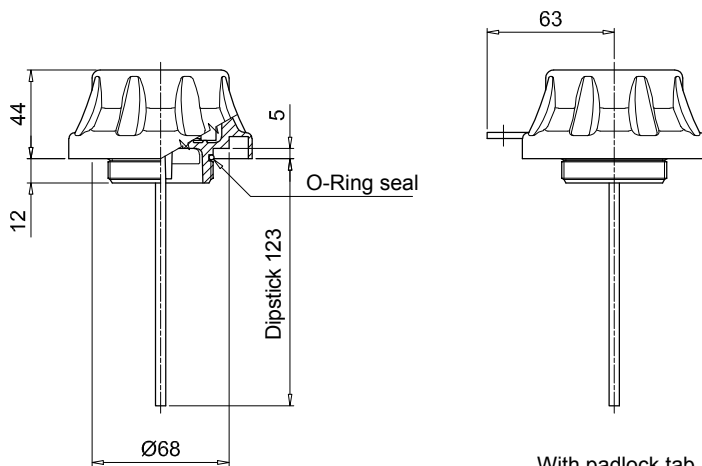
With padlock tab



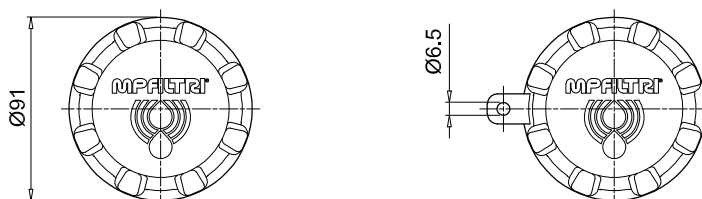
TAP90

Threaded connection

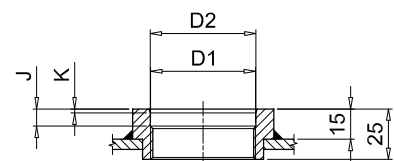
| Connection | D1 [mm] | D2 [mm] | J [mm] | K [mm] |
|------------|----------|---------|--------|--------|
| Q | G 3/4" | - | - | - |
| H | G 1 1/2" | 48.5 | 8.5 | 2x15° |
| M | 3/4" NPT | - | - | - |
| G | M 52x2 | 52.5 | 8.5 | 2x15° |



With padlock tab



Housing on the tank
for connections GH-MT



TAP 114 series

Filler plug and polyamide air filter up to 1600 l/min



TAP 114 GENERAL INFORMATION

Technical data

Air breathers & Filler plugs

Filler plug and polyamide air filters Flow rates up to 1600 l/min

TAP114 is a range of plastic large air breathers and filler caps for protection of the tank against the solid contamination contained into the air and filling of the fluid into the systems during the commissioning and maintenance procedures.

They are directly fitted on the tank.

Available features:

- Flanged connection, for a maximum flow rate of 1600 l/min
- Replaceable filter element
- Fine cellulose filtration, to get a good cleanliness level into the reservoir
- Polyester media is an option for heavy environmental conditions (high humidity, sand ...)
- Filling basket, to hold the coarse contamination contained into the fluid and to diffuse the fluid flow into the tank

Common applications:

- Hydraulic systems
- Mobile machines
- Industrial equipment

Flow rate Δp 0.02 bar

| | Flow rate [l/min] |
|------------------------|-----------------------|
| | Filtration rating L10 |
| TAP114 length 1 | 1450 |
| TAP114 length 3 | 1600 |

Materials

- Cover: Polyamide
- Filter element: Resin impregnated paper
- Flange: Polyamide
- Seals: NBR
- Screws: Galvanized steel
- Basket: Polyamide

Temperature

From -25 °C to +100 °C

Weight

| | |
|------------------|----------|
| TAP 114 length 1 | 0.185 kg |
| TAP 114 length 3 | 0.200 kg |



Designation & Ordering code

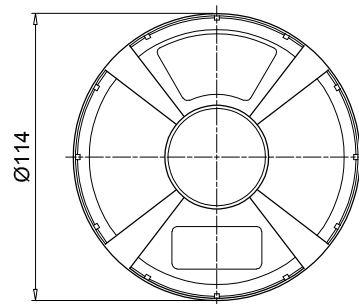
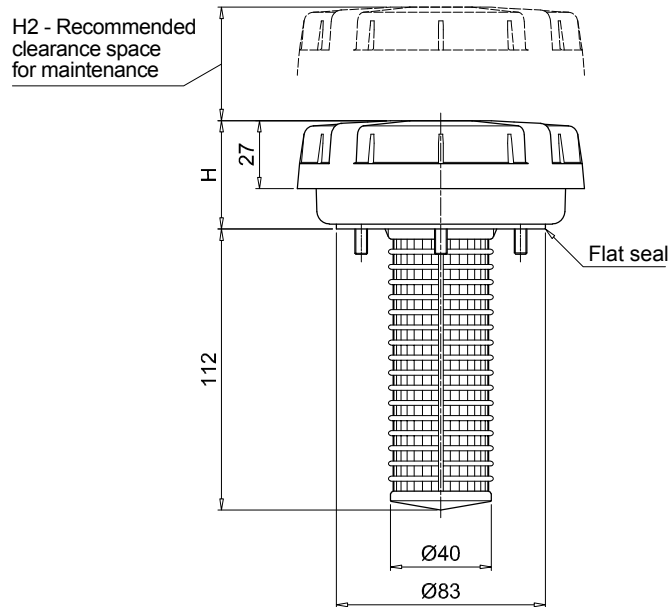
COMPLETE FILLER PLUG / COMPLETE AIR FILTER

| | | | | | | |
|---|--------------------------------|---|-----|---|--|-----|
| Series TAP114 | Configuration example : TAP114 | 1 | L10 | A | 1 | P01 |
| Length 1 3 | | | | | | |
| Filtration rating L10 Resin impregnated paper 10 µm | | | | | | |
| Seals A NBR | | | | | | |
| Version 1 With basket | | | | | | |
| | | | | | Execution P01 MP Filtri standard Pxx Customized | |

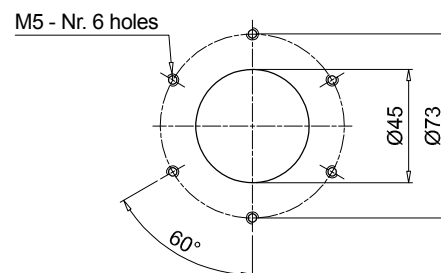
FILTER ELEMENT

| | | | | |
|---|------------------------------|---|-----|--|
| Filter element series A114 | Configuration example : A114 | 1 | L10 | P01 |
| Length 1 3 | | | | |
| Filtration rating L10 Resin impregnated paper 10 µm | | | | |
| | | | | Execution P01 MP Filtri standard Pxx Customized |

| TAP114 | | |
|----------|--------|---------|
| Length | H [mm] | H2 [mm] |
| 1 | 43 | 30 |
| 3 | 70 | 60 |



Holes on the tank



TAP 115

Nylon oil filler and air breather filler cap



TAP 115 GENERAL INFORMATION

Technical data

Air breathers & Filler plugs

Nylon oil filler and air breather filler cap Flow rate up to 2150 l/min

TAP115 is a range of plastic large air breathers and filler caps for protection of the tank against the solid contamination contained into the air and filling of the fluid into the systems during the commissioning and maintenance procedures.

They are usually directly fitted on the tank.

Available features:

- Flanged connection, for a maximum flow rate of 2150 l/min
- Replaceable filter element.
- Fine cellulose and microfibre filtration, to get a good cleanliness level into the reservoir. Polyester media is an option for heavy environmental conditions (High humidity, sand)
- Visual clogging indicator
- Filling basket, to hold the coarse contamination contained into the fluid and to diffuse the fluid flow into the tank

Common applications:

- Hydraulic systems
- Mobile machines
- Industrial equipment

Flow rate Δp 0.02 bar

| | Flow rate [l/min] | |
|------------------------|-----------------------|------|
| | Filtration rating A03 | L10 |
| TAP115 length 1 | 1600 | 2000 |
| TAP115 length 2 | 2150 | 2150 |

Materials

- Cover/flange: Nylon
- Filter element: Microfibre, Resin impregnated paper
- Seals: NBR, FPM
- Basket/screws: Galvanized steel

Clogging indicators

- Manual reset
- Set pressure 0.062 bar +/- 10%

Temperature

From -25 °C to +100 °C

| Weight | Length 1 | Length 2 |
|---------|----------|----------|
| TAP 115 | 0.46 kg | 0.585 kg |



Designation & Ordering code

COMPLETE BREATHER PLUG - TAP115

| Series and size | Configuration example: | TAP115 | 2 | F | A03 | A | 1 | A | P01 |
|--|------------------------|--------|---|---|-----|---|---|---|-----|
| TAP115 Screwed flange connection | | | | | | | | | |
| Length | | | | | | | | | |
| 1 2 | | | | | | | | | |
| Connection to the tank | | | | | | | | | |
| F Flange | | | | | | | | | |
| Filtration rating | | | | | | | | | |
| A03 Inorganic microfiber 3 µm | | | | | | | | | |
| L10 Resin impregnated paper 10 µm | | | | | | | | | |
| Seals | | | | | | | | | |
| A NBR V FPM | | | | | | | | | |
| Version | | | | | | | | | |
| 1 With basket | | | | | | | | | |
| Clogging indicator | | | | | | | | | |
| A Without indicator | | | | | | | | | |
| B With visual clogging indicator | | | | | | | | | |
| Execution | | | | | | | | | |
| P01 MP Filtri standard | | | | | | | | | |
| Pxx Customized | | | | | | | | | |

FILTER ELEMENT

| Filter element series and size | Configuration example: | A115 | 2 | A03 | P01 |
|--|------------------------|------|---|-----|-----|
| A115 | | | | | |
| Length | | | | | |
| 1 2 | | | | | |
| Filtration rating | | | | | |
| A03 Inorganic microfiber 3 µm | | | | | |
| L10 Resin impregnated paper 10 µm | | | | | |
| Execution | | | | | |
| P01 MP Filtri standard | | | | | |
| Pxx Customized | | | | | |

TAP 115

Dimensions

| TAP115 | | |
|----------|--------|---------|
| Length | H [mm] | H2 [mm] |
| 1 | 91 | 55 |
| 2 | 155 | 80 |

