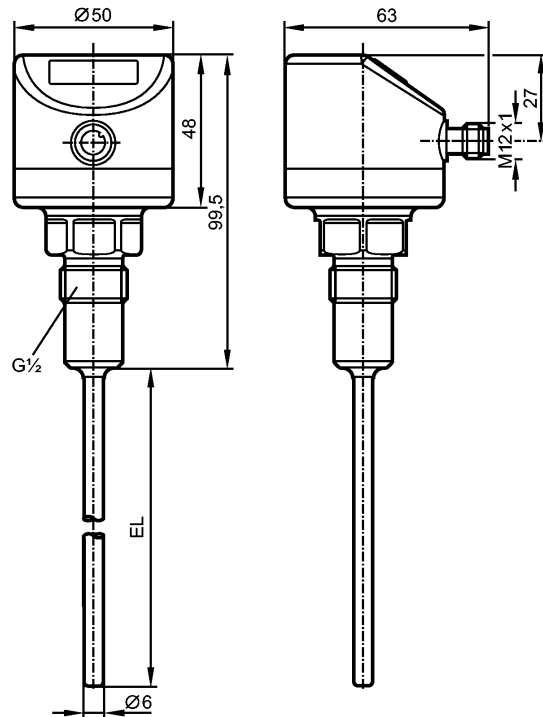


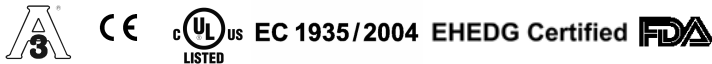
**TD2501**

TD-030CFER12-A-ZVG/US

Temperature sensors



EL = Installation length



**IO-Link**

**Product characteristics**

Temperature Transmitter with Display	
Process connection: G½ with sealing cone	
Installation length EL: 30 mm	
Analog output	
7-segment LED display (4 digits)	
Measuring range: -50...150 °C / -58...302 °F	
Measuring element: 1 x Pt 1000, to DIN EN 60751, class A	
Factory setting: -10...150 °C	

**Application**

Application		liquids and gases
Pressure rating [bar]		160
Vacuum resistance [mbar]		-1000

**Electrical data**

Electrical design		DC
Operating voltage [V]		18...32 DC; cULus - Class 2 source required
Current consumption [mA]		< 50
Protection class		III
Reverse polarity protection		yes

**Outputs**

Output		Analog output
Short-circuit protection		yes
Overload protection		yes


**TD2501**

TD-030CFER12-A-ZVG/US

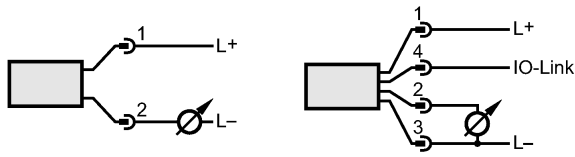
**Temperature sensors**

Analog output	4...20 mA	
Max. load [Ω]	300	
<b>Measuring / setting range</b>		
Measuring range	-50...150 °C	-58...302 °F
Factory setting	-10...150 °C	
Resolution		
Analog output [K]	≤ 0.04	
Display [K]	0.1	
<b>Accuracy / deviations</b>		
Analog output [K]	± 0.3 + (± 0.1 % MS)	
Temperature coefficients (in % of the span per 10 K)	0.1	
<b>Reaction times</b>		
Power-on delay time [s]	2	
Dynamic response T05 / T09 [s]	1 / 3	
<b>Interfaces</b>		
IO-Link Device		
Transfer type	COM2 (38.4 kBaud)	
IO-Link revision	1.1	
<b>Environment</b>		
Ambient temperature [°C]	-25...80	
Storage temperature [°C]	-40...100	
Protection	IP 67 / IP 68 / IP 69K	
<b>Tests / approvals</b>		
EMC	DIN EN 61000-6-2 DIN EN 61000-6-3	
Shock resistance	DIN IEC 68-2-27:	50 g (11 ms)
Vibration resistance	DIN IEC 68-2-6:	10 g (10...2000 Hz)
MTTF [Years]	405	
UL approval number	K001	
<b>Mechanical data</b>		
Process connection	G½ with sealing cone	
Materials (wetted parts)	stainless steel 316L / 1.4404; surface characteristics Ra: < 0.6	
Probe diameter [mm]	6	
Installation length EL [mm]	30	
Housing materials	housing: stainless steel 316L / 1.4404	
Weight [kg]	0.344	
<b>Displays / operating elements</b>		
Display	7-segment LED display (4 digits) Display unit / status °C / °F	
<b>Electrical connection</b>		
Connection	M12 connector	
<b>Wiring</b>		

## TD2501

TD-030CFER12-A-ZVG/US

Temperature sensors



### Remarks

Remarks

MS = set measuring span

Pack quantity

[piece]

1