

## Technical data

### Filler plugs

#### Nylon filler plug

TKT is a range of nylon compact filler plugs for filling of the fluid into the systems during the commissioning and maintenance procedures. They are usually directly fitted on the tank.

#### Available features:

- Male threaded connections up to G 2"
- Breathing hole, to reduce the pressure inside the filter during the maintenance operations
- Caps with different graphics and colours, for the use in several applications
- Dipstick, to monitor the fluid level into the tank even in complicated positions
- Antisplash, to avoid fluid coming out through the air breather due to sloshing
- Labyrinth filter, to avoid fluid coming out through the air breather due to sloshing

#### Common applications:

- Hydraulic systems
- Mobile machines
- Industrial equipment

### Materials

- Body: Nylon
- Seals: NBR, Inorganic fibre
- Labyrinth: Nylon
- Anti-splash feature: Resin impregnate paper
- Dipstick: Phosphatized steel

### Temperature

From -25 °C to +100 °C

### Weight

TKTG 13	5 g
TKTG 16	8 g
TKTG 20	10 g
TKTG 26	15 g
TKTG 33	30 g
TKTG 42	32 g
TKTG 60	35 g

### Quantity

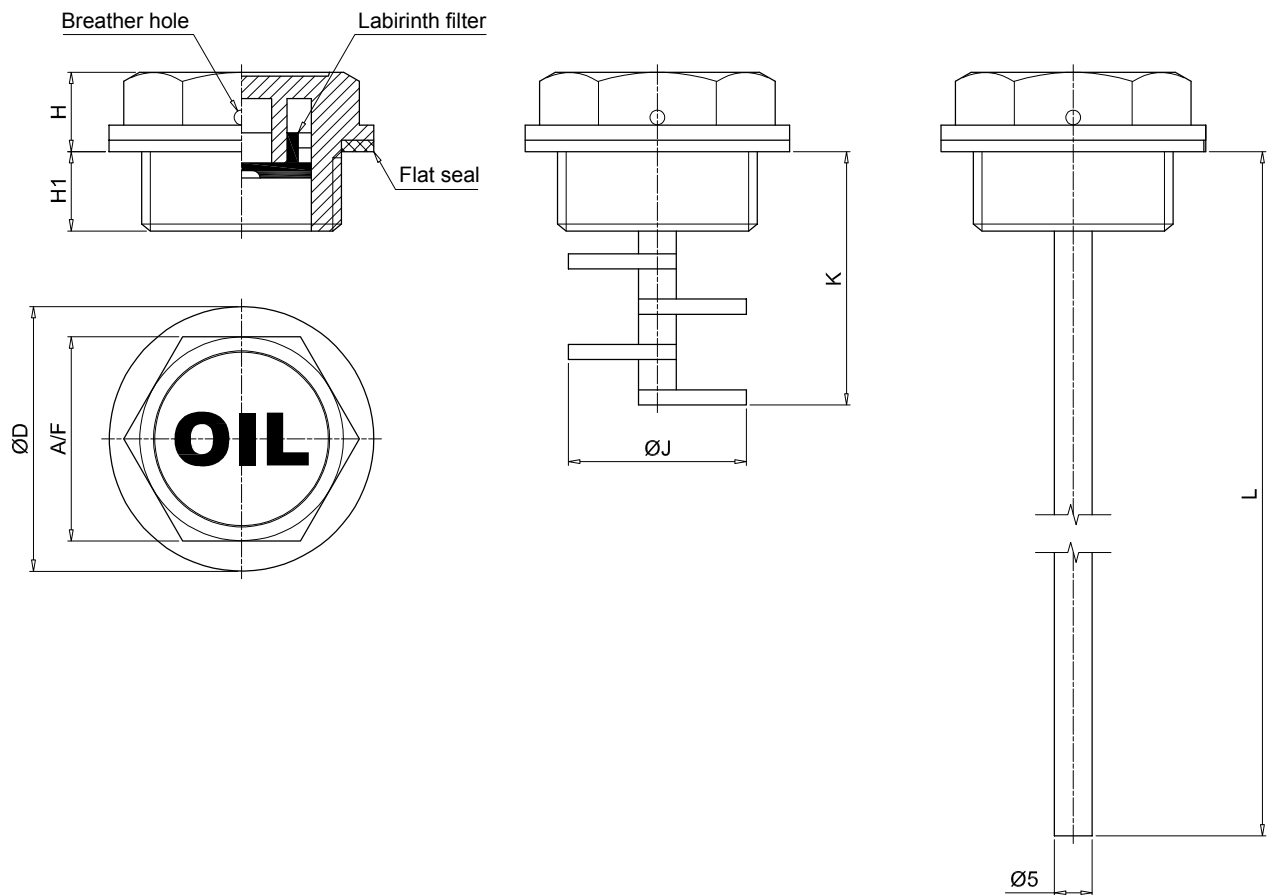
25 pcs/pack



## Designation & Ordering code

### FILLER PLUG - TKT

Series and size	Configuration example :								
<b>TKT</b>	TKT	G26	N	N	A	F	S	P01	
<b>Connections to the tank</b>	Version								
	S	A	F	L					
<b>G13</b> Thread G 1/4"	•	•		•					
<b>G16</b> Thread G 3/8"	•	•	•	•					
<b>G20</b> Thread G 1/2"	•	•	•	•					
<b>G26</b> Thread G 3/4"	•	•	•	•					
<b>G33</b> Thread G 1"	•	•	•						
<b>G42</b> Thread G 1 1/4"	•	•	•						
<b>G48</b> Thread G 1 1/2"	•	•	•						
<b>G60</b> Thread G 2"	•	•							
<b>Colour</b>									
<b>N</b> Black nylon									
<b>Cover wording</b>									
<b>O</b> Oil	<b>N</b> Neutral								
	Version								
<b>Seals</b>	S	A	F	L					
<b>A</b> NBR		•	•						
<b>B</b> Inorganic fiber	•			•					
<b>Breather hole</b>									
<b>S</b> Without breather hole	<b>F</b> With breather hole								
	Version								
<b>S</b> Standard	<b>F</b> With anti-splash feature								
<b>A</b> With dipstick	<b>L</b> With labyrinth filter								
	Execution								
	<b>P01</b> MP Filtri standard								
	<b>Pxx</b> Customized								



Connections	ØD [mm]	A/F [mm]	H [mm]	H1 [mm]	ØJ [mm]	K [mm]	L [mm]
<b>G13</b>	20	17	8.5	7.5	-	-	205
<b>G16</b>	22	18	9.5	8.5	13.5	32	206
<b>G20</b>	28	22	9.5	9.5	17.5	33	207
<b>G26</b>	35	27	10.5	10.5	23.5	34	208
<b>G33</b>	42	34	10.5	10.5	29.5	36	201
<b>G42</b>	52	42	11	11	38	38	201
<b>G48</b>	58	47	11	11	38	36	201
<b>G60</b>	74	64	18	18	-	-	198