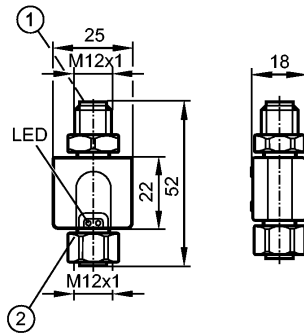


TP3237

TP- CEC -A-ZVG/US/

Evaluation systems



1: connection for voltage supply and output signals
 2: connection for temperature sensor



Product characteristics

Measured signal converter for temperature sensors

for Pt100 and Pt1000 measuring elements

Analog output 4...20 mA

Measuring range: -50...300 °C / -58...572 °F

Factory setting: 0...100 °C

Electrical data

Electrical design	DC
Operating voltage [V]	20...32 DC
Protection class	III
Reverse polarity protection	yes

Outputs

Output	Analog output 4...20 mA
Output function	4...20 mA analog
Short-circuit protection	yes (non-latching)
Overload protection	yes
Analog output	4...20 mA; Rmax: 300 Ω

Measuring / setting range

Measuring range	-50...300 °C	-58...572 °F
Factory setting	0...100 °C	

Accuracy / deviations

Analog output [K]	± 0.3 + (± 0.1 % MS)
Temperature coefficients (in % of the span per 10 K)	0.1
Measured value via IO-Link [K]	± 0.3 + (± 0.1 % MS)

Reaction times

Power-on delay time [s]	1
Measuring / display cycle [ms]	100
Integrated watchdog	yes

Interfaces

IO-Link Device	
Transfer type	COM2 (38.4 kBaud)
IO-Link revision	1.0

Environment

TP3237

TP- CEC -A-ZVG/US/

Evaluation systems

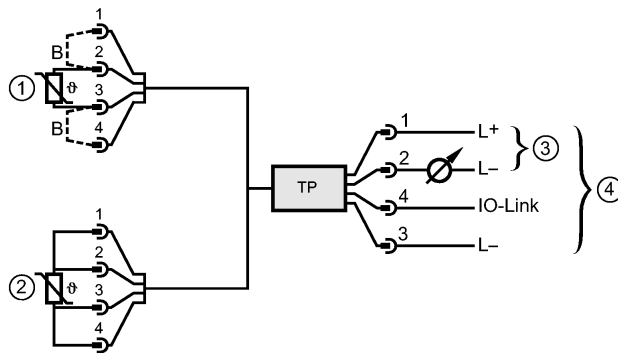
Ambient temperature	[°C]	-25...70
Storage temperature	[°C]	-40...85
Protection		IP 67

Tests / approvals		
EMC		EN 61326-1
Shock resistance	DIN IEC 68-2-27:	50 g (11 ms)
Vibration resistance	DIN IEC 68-2-6:	20 g (10...2000 Hz)
MTTF	[Years]	449

Mechanical data	
Housing materials	PA PACM 12 (TROGAMID); PET; sealing: FPM (Viton); nut: stainless steel 316L / 1.4404; connector: TPU (urethane)
Weight	[kg] 0.039

Electrical connection	
Connection	M12 connector; gold-plated contacts

Wiring



- 1: Two-wire sensor
- 2: Four-wire sensor
- 3: Operation as 2-wire temperature transmitter
- 4: Operation as 3-wire unit, IO-Link communication possible
- B: bridge

Remarks	
Remarks	cULus - Class 2 source required The measuring range can be scaled: -50... 300 °C / -58...572 °F MS = set measuring span

Pack quantity	[piece]	1
---------------	---------	---