



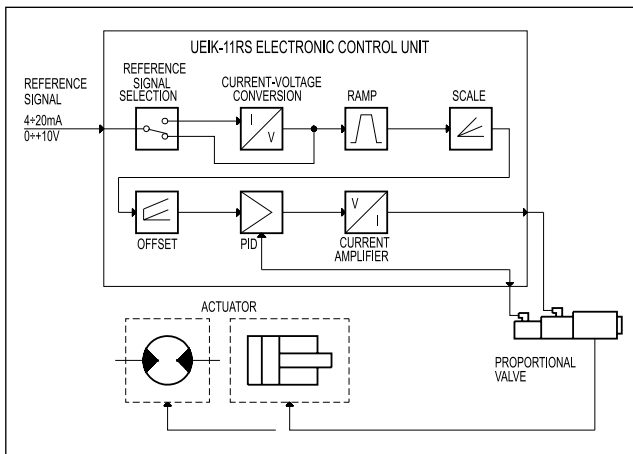
UEIK-11RS*

ELECTRONIC CONTROL UNIT FOR SINGLE SOLENOID PROPORTIONAL VALVE WITH POSITION FEEDBACK

SERIES 52

EUROCARD TYPE

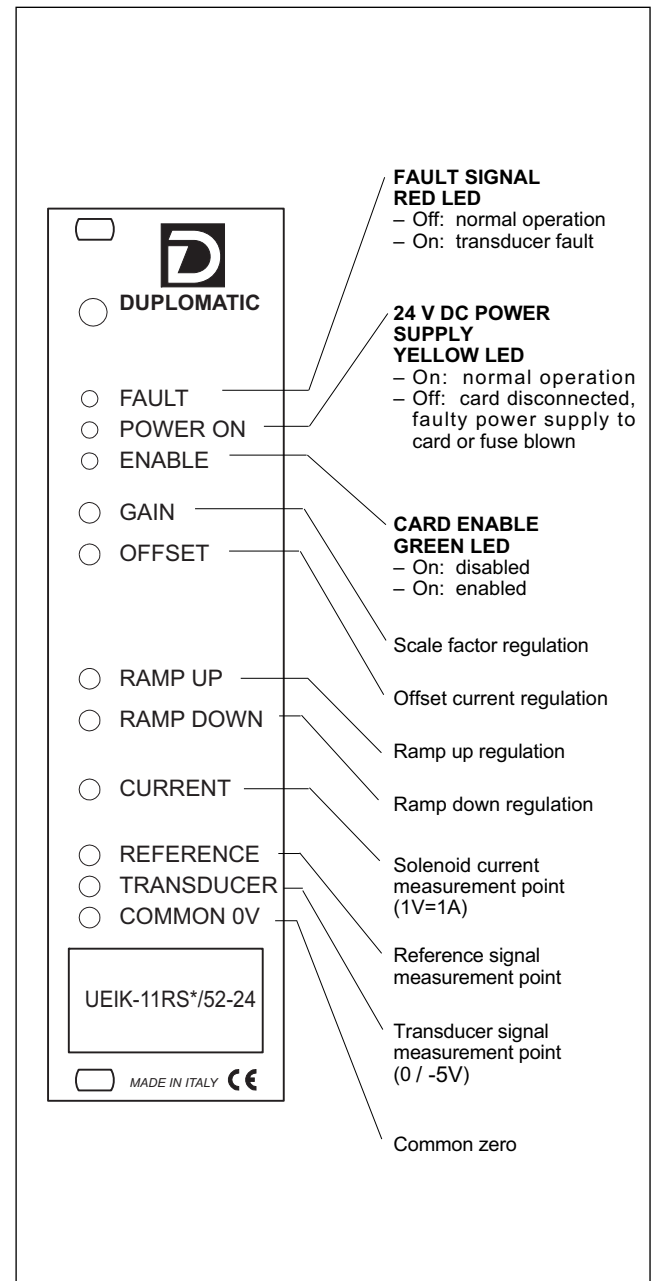
FUNCTIONAL BLOCK DIAGRAM



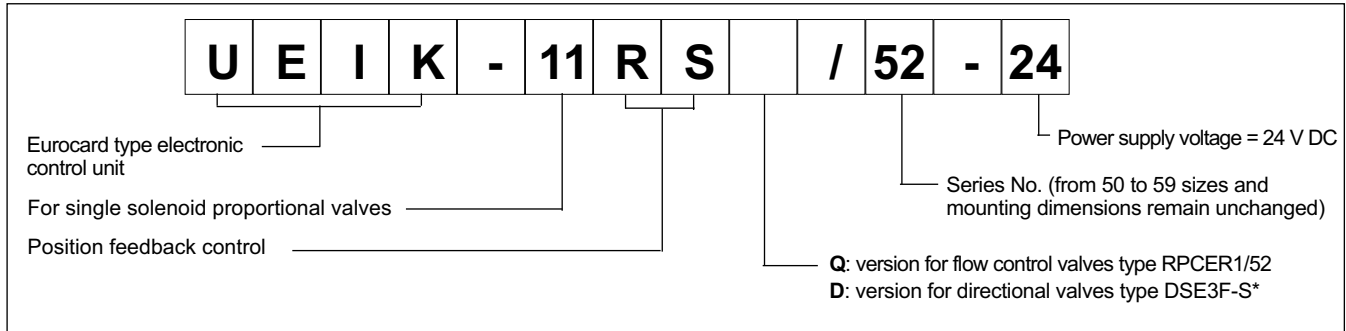
TECHNICAL CHARACTERISTICS

Power supply	V DC	22 ÷ 30 Ripple included
Required power	W	20 ÷ 45
Output current	see par. 3.4	
Power supply electrical protections	- overload - polarity inversion	
Reference signal:		
- Voltage	V	0 ÷ +10
- Current	mA	4 ÷ 20
Input reference signal impedance:		
- Voltage	KΩ	10
- Current	Ω	250
Electromagnetic compatibility (EMC) (see par. 5 - NOTE 1)	in compliance with 2004/108/CE	
Card size	Eurocard 100x160x35	
Connector edge	DIN 41612-D 32 Male	
Operating temperature range	°C	0 ÷ 50
Mass	kg	0,20

FRONT PANEL



1 - IDENTIFICATION CODE



The UEIK-11RS*/52 card is an electronic control unit Eurocard type for closed loop control of single solenoid proportional valves with positional feedback control.

The card controls the position of the valve spool according to the reference input signal enabling linear regulation and reduced hysteresis.

The front panel is fitted with LEDs to indicate card functions and potentiometers to optimise control.

2 - FUNCTIONAL SPECIFICATIONS

2.1 - Electric power supply

The card requires a power supply of 22-30 V DC and 20 ÷ 45 W (pin 2a/2c - 4a/4c).

Power supply voltage must be rectified and filtered, with maximum admissible ripple within the above voltage range.

2.2 - Electrical protection

The card is protected against overvoltage and polarity inversion.

A 3,15A fast-acting fuse is fitted for power circuit protection.

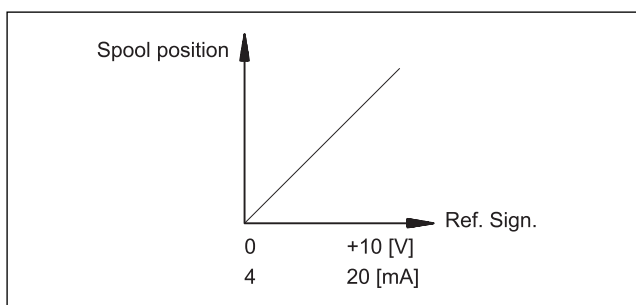
2.3 - Reference signal

The card accepts voltage reference signals (0 ÷ +10V) or current signals (4÷20 mA).

N.B: If the signal is transmitted by potentiometer, please verify that this has a load of at least 200 Ω.

See par. 9 for electrical connections.

The diagram shows characteristics of valve spool position according to the reference signal.



3 - SIGNALS AND ADJUSTMENT

3.1 - FAULT

The red LED indicates operation of the position transducer:

OFF - normal operation

ON - transducer fault or electrical connection failure. In this case the current supply to the solenoid is shut off and the valve is set at the rest position, the ENABLE LED switches off and the OK card relay contact opens (6a - 6c pin)

3.2 - POWER ON

The yellow LED indicates card power supply:

ON - normal power supply

OFF - no power supply, faulty power supply or blown fuse

3.3 - ENABLE

From 22 to 30 V DC (pin 24c) enable command is required for card operation.

The condition of the card enable is shown by both a visible LED on the front panel and as a contact available for the user on pins 6a and 6c.

The green LED indicates:

ON - card enabled

OFF - card disabled

3.4 - GAIN (Scale factor regulation)

The "GAIN" potentiometer enables regulation of the relation between the set reference value and maximum current supplied to the solenoid and therefore the hydraulic parameter controlled by the valve.

The maximum current of the card is limited to 1A for RSQ version and to 1,8A for RSD version. See par. 6 for default values.

Rotate clockwise to increase current.

3.5 - OFFSET (Offset current regulation)

The "OFFSET" potentiometer enables regulation of the offset current of the valve. It is used to eliminate the insensitivity zone (dead zone) of the valve.

The regulation field is from 0 to 0,5A for RSQ version and from 0 to 0,9A for RSD version.

The offset current is activated when the reference signal exceeds the threshold of + 150 mV (or 4,25 mA).

The offset is not active and only the polarization current equal to 25 mA is present beneath this threshold.

NOTE: The variation of the set value of the offset current causes a corresponding variation of the scale factor value.

Rotate clockwise to increase current.

3.6 - RAMP UP / RAMP DOWN (Ramp regulation)

"RAMP UP" and "RAMP DOWN" potentiometers, in a range from 0,03 to 7 sec., regulates the time required to achieve the supplied current according to a step change of the reference signal up or down.

It is possible, in this way, to control the valve response time, adjusting it to the requirements of the hydraulic circuit and the machine cycle.

Ramps can be inhibited by transmitting a 22 to 30 V DC exclusion command to pin 16a. In this case, the ramp residual time is 10 ms. Rotate clockwise to increase ramp time.

4 - SIGNAL MEASUREMENT

4.1 - CURRENT (Solenoid current measurement point)

Enables voltage reading of current supplied to the solenoid.
Reading conversion: 1V DC = 1A.

4.2 - REFERENCE (Reference signal measurement point)

Enables reading of reference signal sent to the card.
Reading is direct, but of opposite sign, with voltage reference while current conversion is: 4 mA = 0V 20 mA = -10V.

4.3 - TRANSDUCER (Transducer signal measurement point)

Enables voltage reading of the valve spool position (0 / -5V).

5 - INSTALLATION

The card is designed for assembly on a rack or a card holder with interface for connector types DIN 41612 - size D - 32 pole.

It is recommended to use cable sections of 1 to 2,5 mm², depending on their length, for power supply and solenoid connections. For other connections it is recommended to use cables with a screened sheath connected to earth only on the card side.

NOTE 1: To observe EMC requirements it is important that the control unit electrical connection is in strict compliance with the wiring diagram of par. 9.

As a general rule, the valve and the electronic unit connection wires must be kept as far as possible from interference sources (e.g. power wires, electric motors, inverters and electrical switches). In environments that are critical from the electromagnetic interference point of view, a complete protection of the connection wires can be requested.

6 - DEFAULT CONDITIONS

The electronic control unit is supplied factory-set. Standard settings are:

- "GAIN" regulation: +10V (or 20 mA) reference signal corresponding to maximum valve opening (transducer = -5V). In open loop "GAIN" regulation corresponds to a current supply of 1 A for RSQ version and 1,8 A for RSD version, to the solenoid with maximum reference signal.
- "OFFSET" regulation: zero
- "RAMP UP" and "RAMP DOWN" regulation: minimum
- position SW1 on V
- position SW2 on S
- position SW3 on AC
- position S1 on N
- switching frequency (PWM) = 230 Hz

7 - START-UP AND CONTROL SETTINGS

If required, settings can be adjusted as follows:

a) OFFSET CURRENT REGULATION

- Set "GAIN" potentiometer to minimum.
- Enter reference signal at maximum value (+10V or 20 mA).
- Set the "OFFSET" potentiometer so that the valve is positioned at the start of the work zone.

b) SCALE FACTOR REGULATION

- Enter the reference signal at maximum value (+10V or 20 mA).
- Set "GAIN" potentiometer so that the controlled hydraulic parameter reaches the maximum required value.

c) RAMP REGULATION

- Regulate the "RAMP UP" and "RAMP DOWN" potentiometers to obtain the gradual valve operation required with a reference signal variation.

8 - CARD CIRCUIT SETTINGS

The overall and mounting dimension diagram in par. 10 shows four switch banks: SW 1 - SW 2 - SW 3 and S1 which enable the card to be set up as required.

NB. Each modification to switch settings must be carried out with the card disconnected from the power supply. The individual switches inside each bank must all be set in the same position.

SELECTION OF VOLTAGE OR CURRENT REFERENCE SIGNAL (SW 1 bank comprising three individual switches)

- select V for voltage signal
- select I for current signal.

SELECTION OF SINGLE ENDED OR DIFFERENTIAL REFERENCE SIGNAL (SW 2 bank comprising one individual switch)

- select S for single ended reference signal. This condition is obligatory in the case where the reference signal is generated with an external potentiometer fed by the card itself.
- select D for differential reference signal. This condition is preferable in the case where the reference signal comes from a PLC or CNC analogic outlet.

OPEN OR CLOSED LOOP SELECTION (SW 3 bank comprising two individual switches)

- select AC for closed loop
- select AA for open loop.

TRANSDUCER POLARITY SELECTION (SW 1 bank comprising one individual switch)

- select N for direct operated valve types DSE3F - RPCER1/52
- select D for piloted valves.

NB. In the event of transducer malfunction, AA can be selected to proceed with open loop operation. In this case, the ENABLE LED illuminates and the OK relay card contacts close and the FAULT LED remains lit to indicate alarm status.

SWITCHING FREQUENCY ADJUSTMENT

It is possible to change the switching frequency (PWM) by acting on the trimmer PT7 (see par. 10).

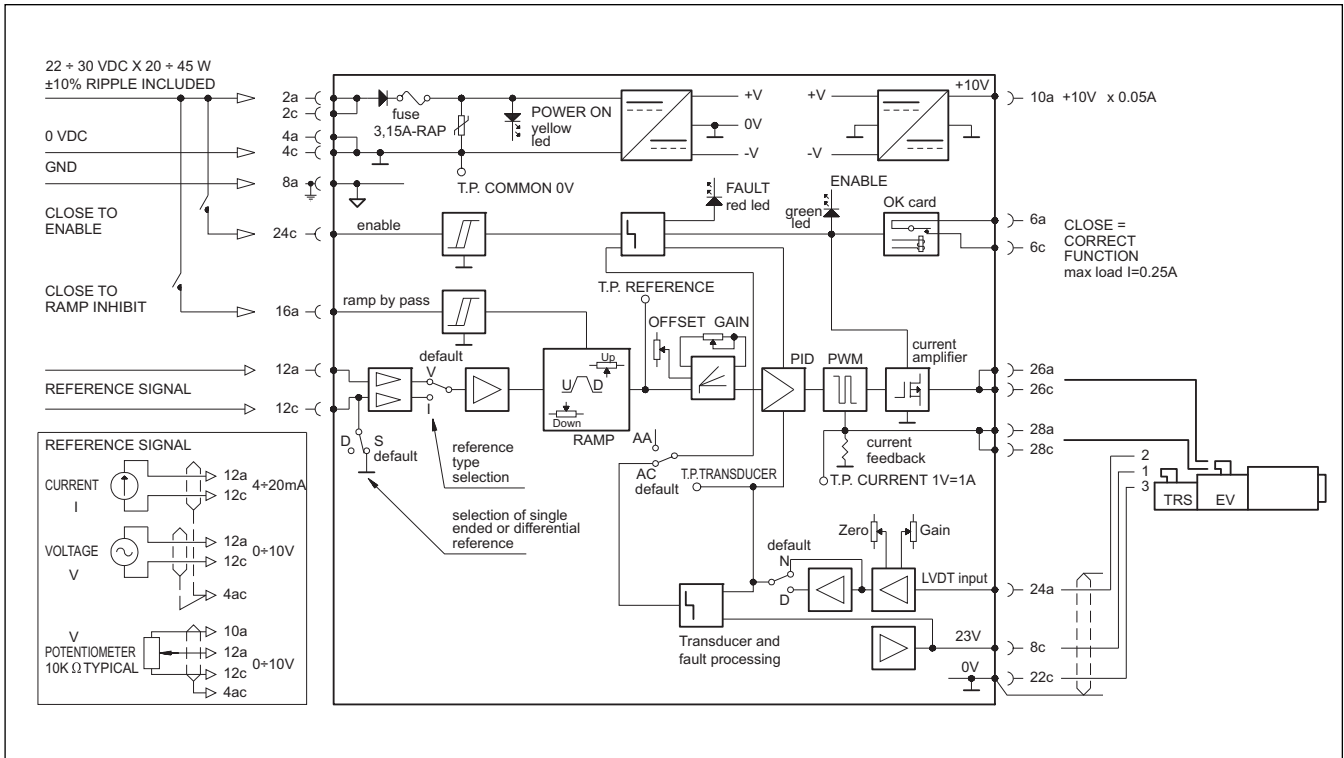
The setting range is from 80 to 1600 Hz.

An appropriate switching frequency adjustment allows reduction of the valve hysteresis value.

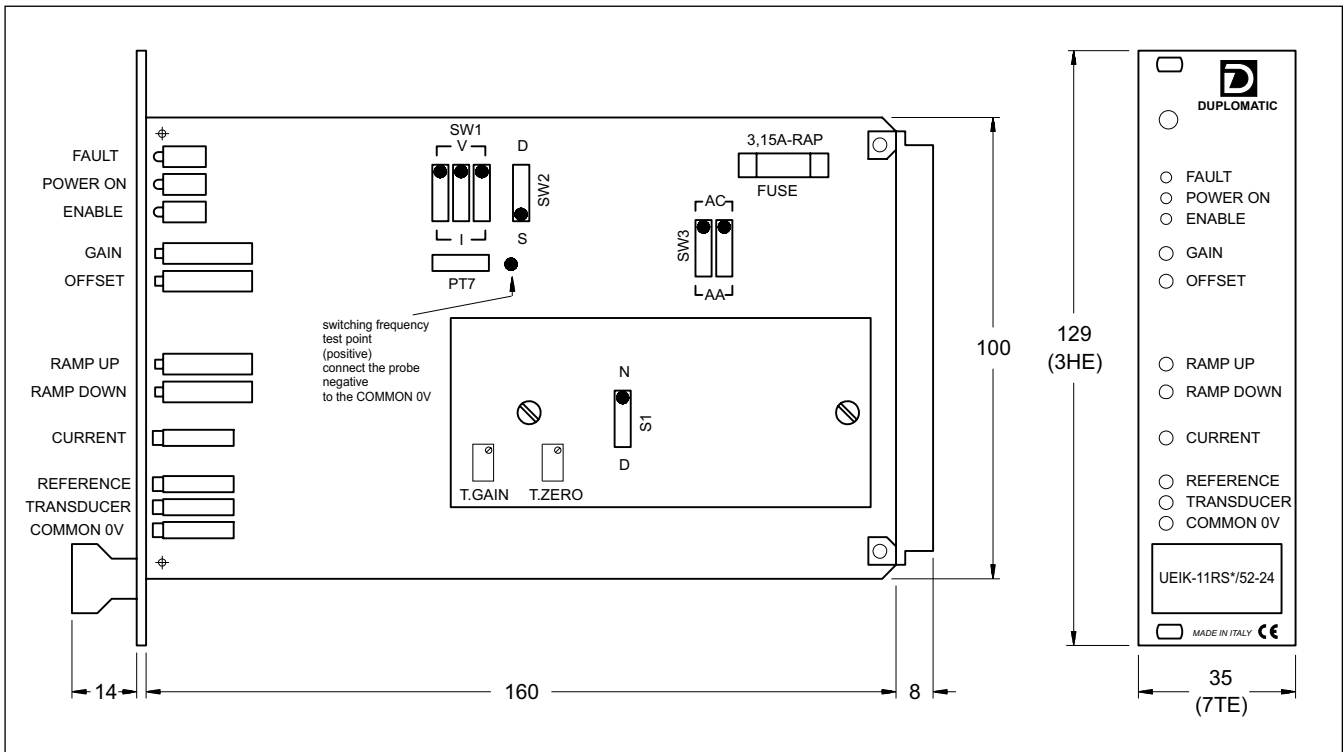
Clockwise rotation to increase the frequency.



9 - CARD CIRCUIT AND WIRING DIAGRAMS



10 - OVERALL AND MOUNTING DIMENSIONS



DIPLOMATiC OLEODiNAMIcA S.p.A.
 20015 PARABIAGO (MI) • Via M. Re Depaolini 24
 Tel. +39 0331.895.111
 Fax +39 0331.895.339
 www.diplomatic.com • e-mail: sales.exp@diplomatic.com