

# UFM 040

## Mobile filtration unit



- **Compact size**
- **Light**
- **Easy to use**
- **Easy maintenance**
- **Reliable**
- **Absolute filtration**

UFM 040 mobile filtration units suitable for filling and refilling of filtered hydraulic fluids and lubrication tanks.

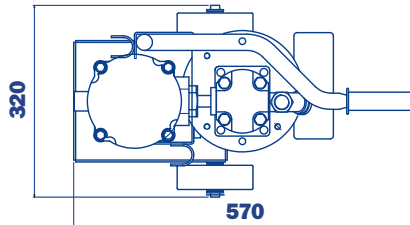
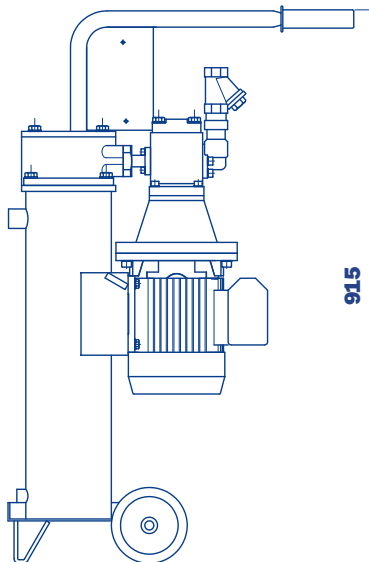
The filter unit connected to off-line to the tank (recommended maximum volume of 350/500 L.), can be used as a support to the filtration plant on start-up for fast flushing action, either as additional filtration systems with a high incidence of contamination.

Continued use is recommended for the version with three phase electric motor.

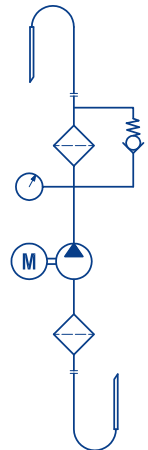
## Technical data

<b>Pump</b>	Gear pump
<b>Electric Motor</b>	0,75 Kw 230 Volt single phase electric motor 0,75 Kw 400/230 Volt three phase electric motor
<b>Flow (l/min)</b>	33 l/min
<b>Max. Operation Pressure</b>	5 bar
<b>Viscosity range</b>	Min. operation 10 cSt Max. operation 200 cSt Max. only for cold start 800 cSt
<b>Suction Filter</b>	Type Y filtration 300 µm
<b>Filtration Rating</b>	1/3/6/10/16/25 µm β>1000 flow through the element In/Out
<b>By-Pass valve</b>	Rating 2,5 bar
<b>Fluid Temperature</b>	From -10° to +80 °C
<b>Ambient Temperature</b>	From -20° to +45 °C
<b>Protection Class</b>	IP 55
<b>Seal</b>	NBR
<b>Fluid Compatibility</b>	Mineral Oil - Other on request
<b>Suction hose - with lance</b>	1" length 2500 mm - DN35 length 700 mm
<b>Pressure hose - with lance</b>	3/4" length 3000 mm - DN28 length 700 mm
<b>Weight</b>	45 kg.
<b>Equipment</b>	Visual clogging indicator (gauge)

# Dimensions



Symbol



# Spare parts

## Filter element

Inorganic microfibre element

MR 250 4 A01 A P01	1 µm absolute
MR 250 4 A03 A P01	3 µm absolute
MR 250 4 A06 A P01	6 µm absolute
MR 250 4 A10 A P01	10 µm absolute
MR 250 4 A16 A P01	16 µm absolute
MR 250 4 A25 A P01	25 µm absolute

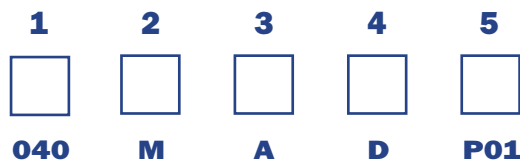
Wire mesh element

MR 250 4 M25 A P01	25 µm
MR 250 4 M60 A P01	60 µm

# Ordering information

## UFM

Example: UFM



### 1 - Flow

**040** 33 l/min

### 2 - Electric motor

**M** Single phase 220 V  
**T** Three phase 380 V

### 3 - Seals

**A** NBR

### 4 - Filter elements

**S** Without element  
**D** 1 µm absolute  
**E** 3 µm absolute  
**F** 6 µm absolute  
**G** 10 µm absolute  
**H** 16 µm absolute  
**L** 25 µm absolute  
**M** 25 µm wire mesh  
**N** 60 µm wire mesh

### 5 - Option

**P01** Standard MP Filtri