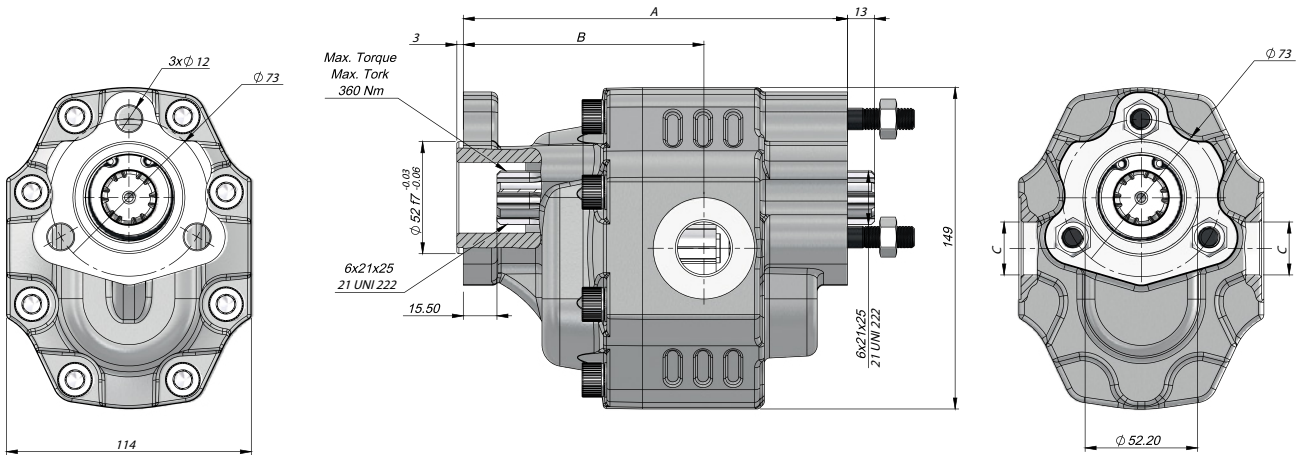


TEKNİK VERİLER | TECHNICAL DATA

3 DELİKLİ UNI TANDEM DİŞLİ POMPA | 3 HOLES UNI TANDEM GEAR PUMP



| | | | |
|--|--------------------------|---------------|------------------|
| Giriş Basıncı Inlet Pressure | | 0.3÷ 2 bar | |
| Çalışma Viskozite Seviyesi Operating Viscosity Range | | -12:100 cSt | |
| Sıvı Sıcaklığı Fluid Temperature | | -40 °C+145 °C | |
| Çalışma Basıncı Working Pressure | Kirlilik Contamination | | Filtre Filter |
| | NAS 1638 | ISO 4406 | $\beta_x=75$ |
| ≥200 bar | 11 | 20/17 | 25 μm |
| ≤200 bar | 12 | 21/18 | 40 μm |



| Kod Code | | İletim Hacmi Displacement | Maks.Sürekli Basınç Max.Continuous Pressure | Min. Hız Min.Speed | Maks.Sürekli Hız Max.Continuous Speed | A | B | Giriş Inlet | Çıkış Outlet |
|--------------|--------------|---------------------------|---|--------------------|---------------------------------------|-------|-------|-------------|--------------|
| Sol / Left | Sağ / Right | | | | | | | | |
| GT30017UF411 | GT30017UF421 | GT30017UF431 | 17 | 300 | 2600 | 161 | 102 | G1/2" | G1/2" |
| GT30027UF411 | GT30027UF421 | GT30027UF431 | 27 | 290 | | 167 | 105 | | |
| GT30034UF411 | GT30034UF421 | GT30034UF431 | 34 | 285 | 2300 | 172 | 107 | G3/4" | G3/4" |
| GT30036UF411 | GT30036UF421 | GT30036UF431 | 36 | | | 173,5 | 118,5 | | |
| GT30038UF411 | GT30038UF421 | GT30038UF431 | 38 | 280 | 2100 | 174 | 118,5 | G1" | G1" |
| GT30043UF411 | GT30043UF421 | GT30043UF431 | 43 | | | 176 | 111,5 | | |
| GT30051UF411 | GT30051UF421 | GT30051UF431 | 51 | 230 | 2000 | 183 | 113 | G1 1/4" | G1 1/4" |
| GT30061UF411 | GT30061UF421 | GT30061UF431 | 61 | 225 | | 191 | 117 | | |
| GT30073UF411 | GT30073UF421 | GT30073UF431 | 73 | 215 | 1800 | 196 | 125 | G1" | G1" |
| GT30082UF411 | GT30082UF421 | GT30082UF431 | 82 | 200 | | 202 | 124,5 | | |
| GT30100UF411 | GT30100UF421 | GT30100UF431 | 100 | 190 | 1600 | 215 | 138,5 | G1 1/4" | G1 1/4" |
| GT30125UF411 | GT30125UF421 | GT30125UF431 | 125 | 170 | | 231 | 142,5 | | |

*The values in the table refer to unidirectional pumps. Reversible pump max pressures are 10% lower than those shown in table. For different working conditions please consult our sales department.