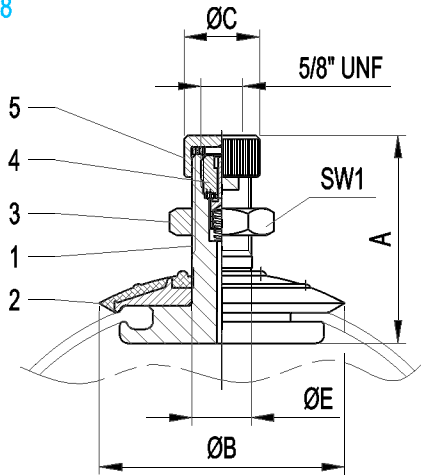
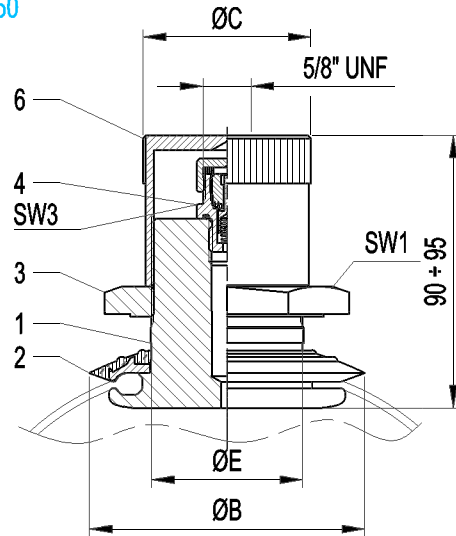


3.7.7 VALVE DIMENSIONS AND SPARE PARTS CODE

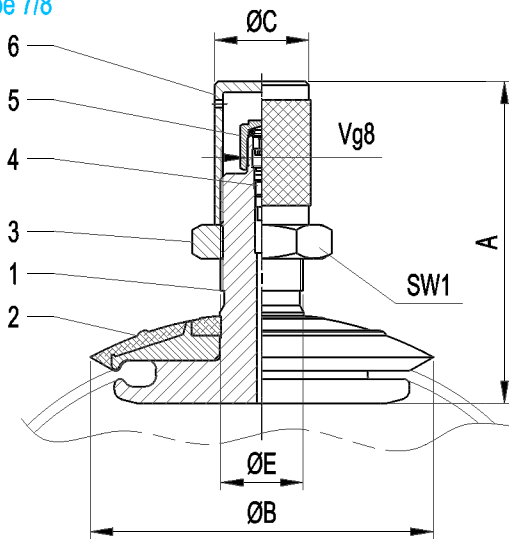
Type 5/8



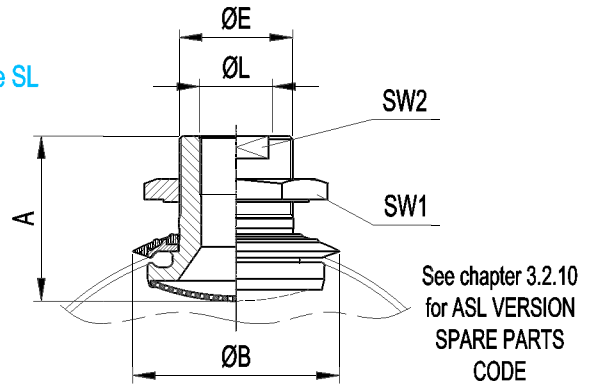
Type 50



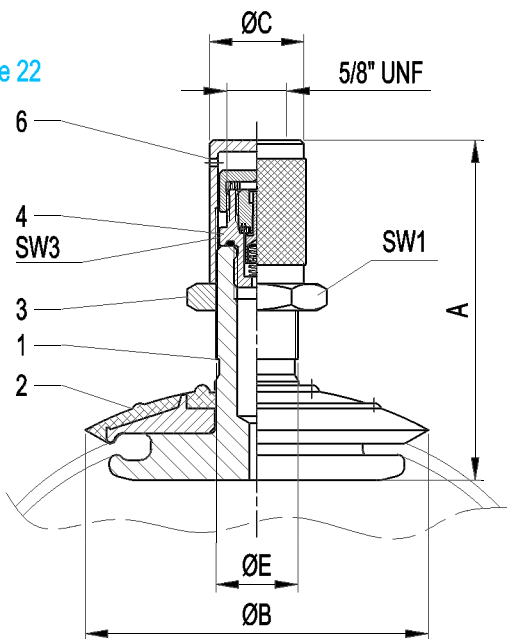
Type 7/8



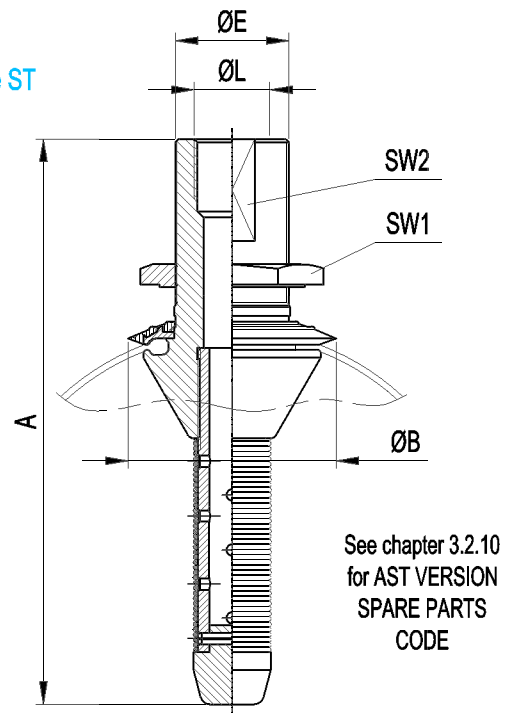
Type SL



Type 22



Type ST



3.7e

DIMENSIONS										
Nominal capacities (lt)	Valve type	Gas valve assembly	A mm	Ø B mm	Ø C mm	Ø E	Ø L	SW 1 mm	SW 2 mm	SW 3 mm
0,2	5/8	V 2002 - ** / *	40	34	20	5/8" UNF	-	24	-	-
	SL	V 2003 - ** / *	41	35	-	5/8" UNF	1/8" BSP	24	13	-
0,7	5/8	V 2015 - ** / *	45	48	20	5/8" UNF	-	24	-	-
	7/8	V 2020 - ** / *	65 ÷ 70	45	25	7/8" UNF	-	32	-	-
	22	V 2021 - ** / *	68 ÷ 73	45.5	25	M22x1.5	-	32	-	18
	SL	V 2027 - 1 - ** / *	48	45.5	-	M22x1.5	1/4" BSP	32	18	-
	ST	V 2456 - ** / *	236	45.5	-	M22x1.5	1/4" BSP	32	18	-
1 - 1,5 - 2,5 - 3	5/8	V 2015 - ** / *	45	48	20	5/8" UNF	-	24	-	-
	7/8	V 2020 - ** / *	65 ÷ 70	45	25	7/8" UNF	-	32	-	-
	22	V 2022 - ** / *	68 ÷ 73	45	25	M22x1.5	-	32	-	18
	SL	V 2027 - ** / *	48	45.5	-	M22x1.5	1/4" BSP	32	18	-
	ST	1-1,5-2,5 lt	V 2026 - ** / *	121	45	-	M22x1.5	1/4" BSP	32	18
3 lt		V 2029 - ** / *	236	45	-	M22x1.5	1/4" BSP	32	18	-
4 - 5	5/8	V 2041 - ** / *	55	65	20	5/8" UNF	-	24	-	-
	7/8	V 2046 - ** / *	75 ÷ 80	61.5	25	7/8" UNF	-	32	-	-
	22	V 2042 - ** / *	73 ÷ 78	61.5	25	M22x1.5	-	32	-	18
	ST	V 2043 - ** / *	201	61.5	-	M22x1.5	1/4" BSP	32	18	-
	SL	V 2048 - ** / *	57	61.5	-	M22x1.5	1/4" BSP	32	18	-
10 ÷ 55	7/8	V 2085 - ** / *	80 ÷ 90	91	25	7/8" UNF	-	32	-	-
	22	V 2061 - ** / *	80 ÷ 85	91	25	M22x1.5	-	32	-	18
	50	V 2062 - ** / *	90 ÷ 95	91	56	M50x1.5	-	70	-	18
	ST	AST 10-15 = V 2065 - ** / *	272	91	-	M50x1.5	1" BSP	70	46	-
		AST 20-25 = V 2066 - ** / *	395							
AST 35-55 = V 2067 - ** / *		495								
SL	V 2073 - ** / *	73	91	-	M50x1.5	1" BSP	70	41	-	

* Gasket material

** Component material

3.7f

Spare order codes										
Nominal capacities (lt)	Valve type	Ø E mm	Gas valve assembly	Pos. 1 valve body	Pos. 2 Rubber-coated washer	Pos. 3 locknut	Pos. 4 fill valve	Pos. 5 valve cap	Pos. 6 protect. cap	Weight kg
0,2	5/8	5/8" UNF	V 2002 - ** / *	B10026 - **	B10024 - ** / *	B10023 - **	V 2001 - ** / *	B10337/00 - ** - *	-	0,01
0,7	5/8	5/8" UNF	V 2015 - ** / *	B10110 - **	B10105 - ** / *	B10023 - **	V 2001 - ** / *	B10337/00 - ** - *	-	0,15
	7/8	7/8" UNF	V 2020 - ** / *	B10119 - **	B10104 - ** / *	B10108 - **	V 2069 - ** / *	B10134/00 - ** - *	B10135 - **	0,3
	22	M22x1.5	V 2021 - ** / *	B10107 - **	B10104 - ** / *	B10109 - **	V 2072 - ** / *	-	B10103 - **	0,28
1 - 1,5 - 2,5 - 3	5/8	5/8" UNF	V 2015 - ** / *	B10110 - **	B10105 - ** / *	B10023 - **	V 2001 - ** / *	B10337/00 - ** - *	-	0,15
	7/8	7/8" UNF	V 2020 - ** / *	B10119 - **	B10106 - ** / *	B10108 - **	V 2069 - ** / *	B10134/00 - ** - *	B10135 - **	0,3
	22	M22x1.5	V 2022 - ** / *	B10107 - **	B10106 - ** / *	B10109 - **	V 2072 - ** / *	-	B10103 - **	0,28
4 - 5	5/8	5/8" UNF	V 2041 - ** / *	B10255 - **	B10257 - ** / *	B10023 - **	V 2001 - ** / *	B10337/00 - ** - *	-	0,27
	7/8	7/8" UNF	V 2046 - ** / *	B10259 - **	B10205 - ** / *	B10108 - **	V 2069 - ** / *	B10134/00 - ** - *	B10135 - **	0,4
	22	M22x1.5	V 2042 - ** / *	B10202 - **	B10205 - ** / *	B10109 - **	V 2072 - ** / *	-	B10103 - **	0,4
10 ÷ 55	7/8	7/8" UNF	V 2085 - ** / *	B10330 - **	B10331 - ** / *	B10108 - **	V 2069 - ** / *	B10134/00 - ** - *	B10135 - **	0,75
	22	M22x1.5	V 2061 - ** / *	B10332 - **	B10331 - ** / *	B10109 - **	V 2072 - ** / *	-	B10103 - **	0,75
	50	M50x1.5	V 2062 - ** / *	B10333 - **	B10334 - ** / *	B10302 - **	V 2072 - ** / *	-	B10301 - **	1,54

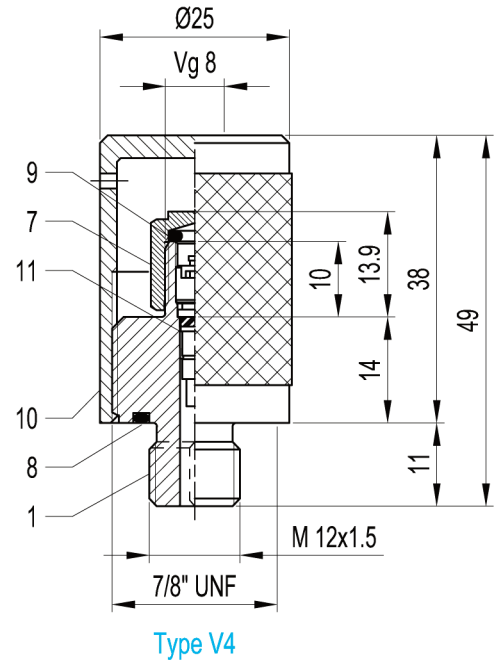
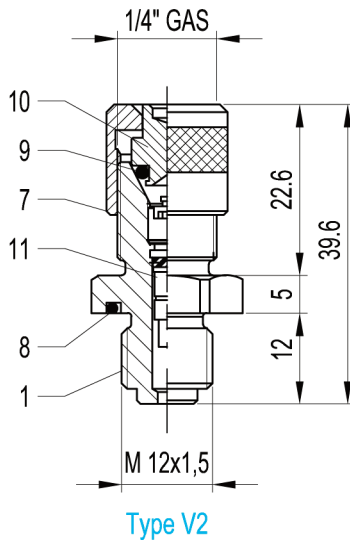
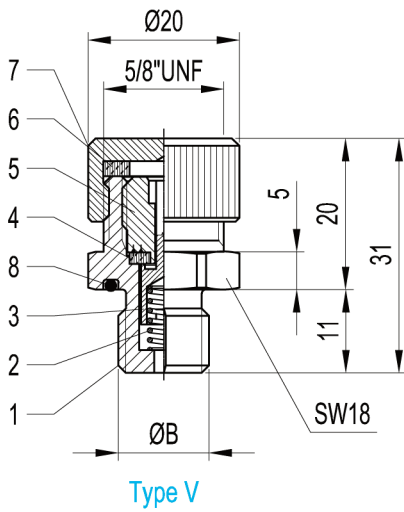
* Gasket material

** Component material

For ASL and AST type order code see chapter 3.2.10

3.7g

3.7.8 FILLING VALVES DIMENSIONS AND SPARE PARTS CODE



3.7h

Item	Description	Q.ty	Valve type				
			V / VX	VG2	VS1/2-20	V2	V4
1	Valve body	1	B10335 - **	B10335 - 1 - **	B10335 - 2 - **	B11605 - O	B10343 - 4 - **
2	Spring	1	B10339 - **			-	-
3	Pin	1	B10338 - **			-	-
4	Gasket pin	1	B10341 - *			-	-
5	Pin holder	1	B10340 - **			-	-
6	Gasket cap	1	B10342 - *			-	-
7	Valve cap	1	B10337 - **			B11603 - O	B10134 - O
8	Valve "O" ring	1	0010R2050 - *				
9	Valve cap "O" ring	1	-			0010R2018 - *	0010R0102 - *
10	Cap	1	-			B11604 - O	B10135 - **
11	Valve	1	-			V 2069-XP	
Cap assembly (parts 7-9-10)						B11604A-0	-
Valve assembly			V 2072 - ** / *	V 2072 - 1 - ** / *	V 2072 - 2 - ** / *	V 2396 - O / *	V 2077 - 4 - ** / *
Ø B			M12x1.5	1/4" BSP	1/2" UNF	-	-
Weight			0,042			0,04	0,094

* Gasket material ** Component material

3.7i