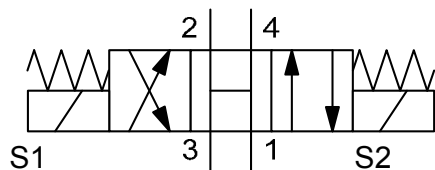


SYMBOL



4/3 Solenoid Directional Valve

Spool type, direct acting

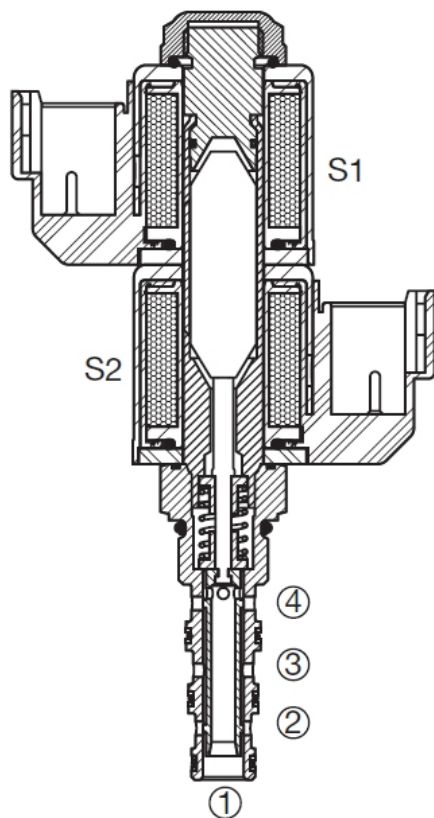
Cartridge-Minivalve – 350 bar

WK06H-01

UNF

up to 9 l/min
up to 350 bar

FUNCTION



In de-energized mode all ports are connected.

If the coil S1 is energized, there is flow from port 3 to 4 and from 2 to 1.

If the coil S2 is energized, there is flow from port 3 to 2 and from 4 to 1.

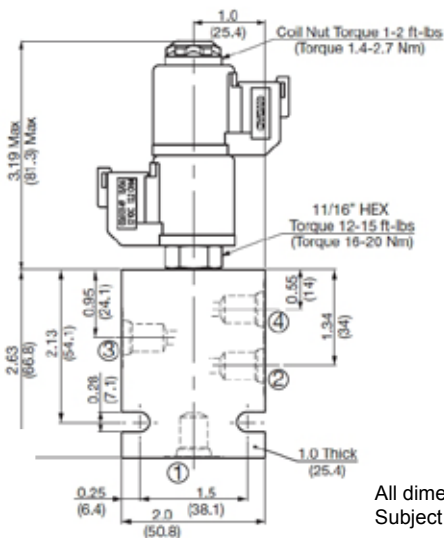
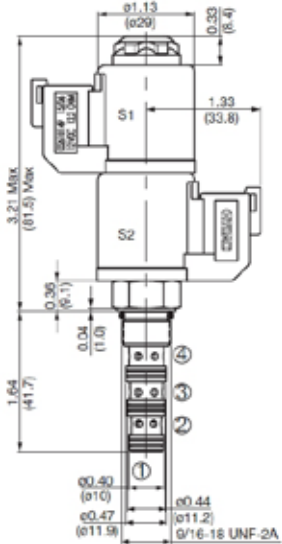
FEATURES

- All exposed surfaces corrosion-proof
- All valve parts made of high-strength steel with hardened and ground components to ensure minimal wear and extended service life
- Coil seals protect the solenoid system
- Coils easy to exchange and pivotable

SPECIFICATIONS

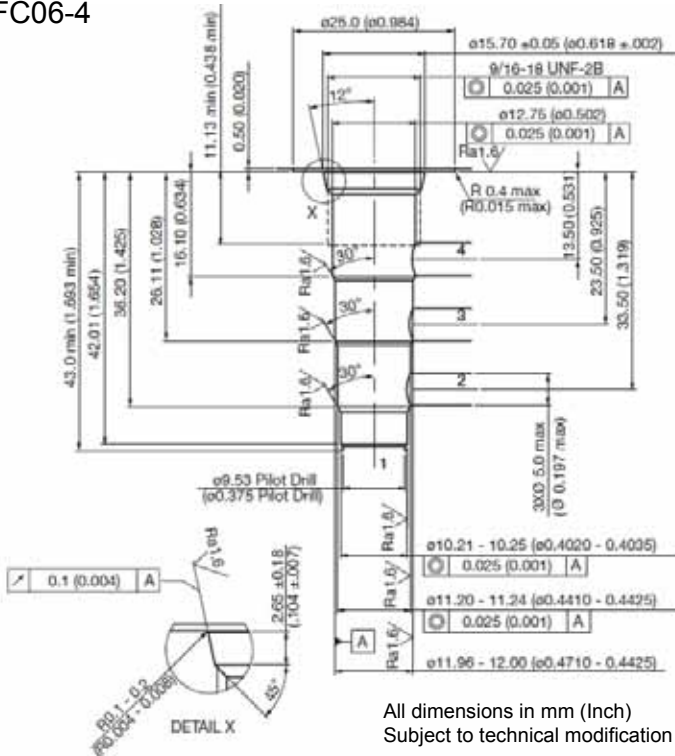
Operating pressure:	max. 350 bar max. 210 bar at Tank (port 1)
Nominal flow:	max. 9 l/min
Leakage:	< max. 100 cm ³ /min at 207 bar and 28 mm ² /s
Temperature range of operating fluid:	Min. – 30°C up to max. +100° C
Ambient temperature range:	Min. – 30°C up to max. + 60° C
Fluid:	Hydraulic fluid to DIN 51524 T1 + T2
Viscosity range:	min. 7,4 mm ² /s up to max. 420 mm ² /s
Filtration:	Class 21 / 19 /16 according to ISO 4406 or cleaner
MTTF _d :	150 years
Installation:	no orientation restrictions
Materials:	Valve body: steel with hardened work surfaces Piston: hardened and ground steel Seals: NBR (Standard) FKM (optional, temperature range -20°C up to +120°C)
Cavity:	Back-up rings: TPE-E
Weight:	FC06-4 Complete valve: 0,374 kg Coil only: 0,088 kg (2x)
Electrical data	
Type of voltage:	DC coil, AC voltage is rectified by a rectifier built-in the plug
Nominal current at 20°C:	984 mA at 12 V DC 492 mA at 24 V DC
Voltage tolerance:	+/- 15% of Coil voltage
Coil duty rating:	100% continuous up to max. 115% of Coil voltage at 60°C ambient temperature

DIMENSIONS



All dimensions in inch (mm)
Subject to technical modification

Cavity FC06-4



All dimensions in mm (Inch)
Subject to technical modification

Tools

Code	Part No.
Twist drill	2582057
Countersink	2582058



HYDAC Fluidtechnik GmbH
Justus-von-Liebig-Str. 5
66280 Sulzbach / Saar
Tel.: 06897 / 509-0
Fax: 06897 / 509-598
Email: flutec@hydac.com

MODEL CODE

WK06H - 01M - C - N - 24 DN

Basic model
Directional Spool type, direct acting

Type
01 = Standard
01M = manual override
01A = lockable manual override

Body & ports
C = cartridge only
*versions in line bodies on request

Seals
N = NBR (Standard)
V = FKM (optional)

Coil voltage
0 = without coil (with nut and Seals)
DC: 12 = 12 Volt DC voltage
24 = 24 Volt DC voltage
AC: 115 = 105 Volt DC voltage
230 = 205 Volt DC voltage (at AC voltage plug with suppressor diode necessary Mat. 2600582)

Coil connector (Coil... 32-1329)
DC: DG = DIN Plug to EN175301-803 Form B
DL = 2 leadwires, 450mm long
DN = Deutsch Plug, axial (Type DT04-2P)

Standard models

Code	Part No.
WK06H-01-C-N-0 without coil (coils please choose from brochure D 5.155.0) Other types on request	2610193

*Line bodies

Code	Part No.	Material	Ports	Pressure
FH064-SB2	3740589	steel, zinc plated	G1/4	420 bar
FH064-AB2	3741315	Alu, anodized	G1/4	245 bar

other line bodies on request

Seal kits

Code	Part No.
Seal kit-NBR	2610188
Seal kit-FKM	2610189

PERFORMANCE

Measured at 28 mm²/s and T oil = 38°C

