

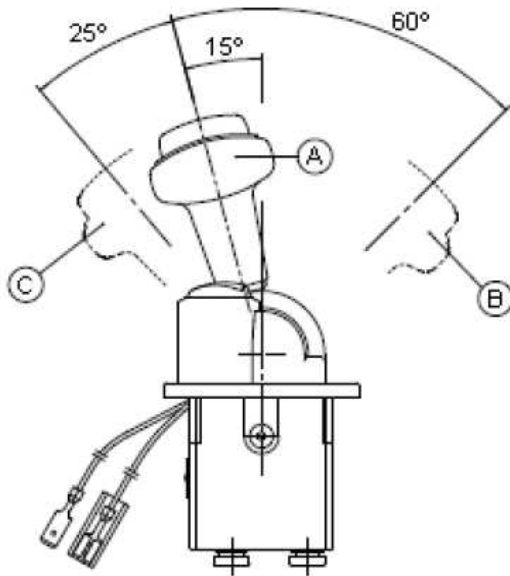


2 Way Distributor Valve

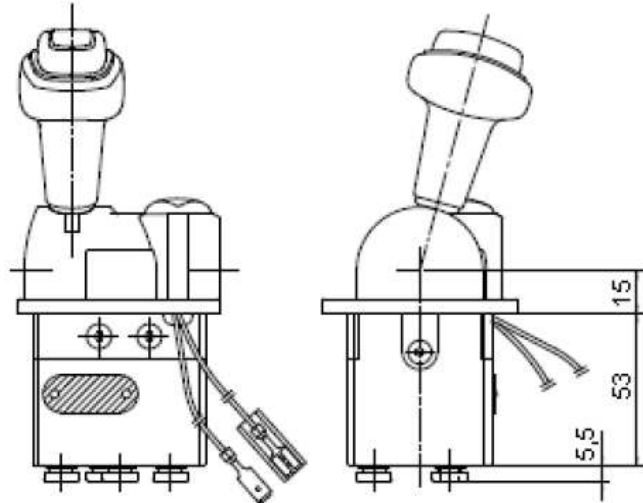
Ref. ABCD42
ABCD52
ABCD62

With Warning Light + Pressure Gauge

Main Dimensions

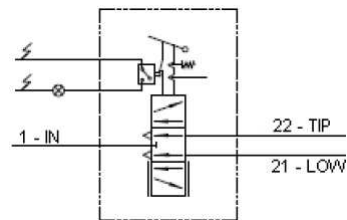
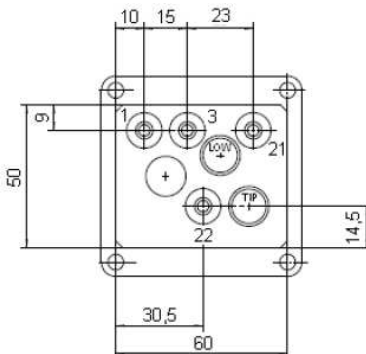
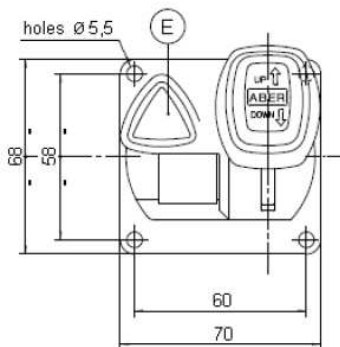


- A - Reset position (with Lock)
- B - Operation port 21
- C - Operation port 22
- E - Lamp for PTO insert indication



PRESSURE GAUGE TECHNICAL DATA

Operating voltage = 24V cc
Contacts = NO (normally open)



- 1- SUPPLY
- 21- CONTROL LOWERING
- 22- CONTROL TIPPING
- 3- EXHAUST

- ABCD42** – Fix up and down
- ABCD52** – with automatic return up and down
- ABCD62** – with automatic return up and fix down

(Dimensions in mm)

Main Data

Working medium	Air	
Operating pressure (Bar)	up to 12	
Working temperature	Distributor valve	- 40 °C / + 80 °C
	Automatic fittings	- 20 °C / + 80 °C
Nominal diameter (mm)	4	
Weight (Kg)	0,6	

ABER is constantly engaged in improving its products and, therefore, reserves itself the right to modify without any further notice the characteristics shown



ABER - Embraiaçens e Comandos Hidráulicos - A. B. LDA
Rua Francisco de Almeida, Nº 30 – Vila Nova da Telha – 4470 MAIA - Portugal
Telephone: +351.22.9438070 Fax: +351.22.9420823 e-mail: aber@aber.pt <http://www.aber.pt>