

Accessories

NYLON EXTENSION TUBE

H1 - Total length immersed in the tank

Configuration example: **TE** **40** **A** **250**

Series	Size	Material	Length	H [mm]
TE			200	200
			250	250
			300	300
			350	350
			400	400
			450	450
			500	500

Filter series		Filter size		Filter length	Tube length										
					TE25	TE32	TE40	200	250	300	350	400	450	500	
MPF - MPFX	30			1	•		266	316	366	416	466	516	566		
MPF	100	104	110	1		•	275	325	375	425	475	525	575		
				2			322	372	422	472	522	572	622		
				3			400	450	500	550	600	650	700		
				4			502	552	602	652	702	752	802		
MPFX	100	104	110	1			277	327	377	427	477	527	577		
				2		•	322	372	422	472	522	572	622		
				3			400	450	500	550	600	650	700		
				4			502	552	602	652	702	752	802		
MPF MPFX	181	182	184	1			410	460	510	560	610	660	710		
				2		•	623	673	723	773	823	873	923		
MPT MPTX	025		027		1	•		278	328	378	428	478	528	578	
					2			342	392	442	492	542	592	642	
					3			380	430	480	530	580	630	680	
MPT	101	104	110	114	120			•	273	323	373	423	473	523	573
						1			320	370	420	470	520	570	620
						2			396	446	496	546	596	646	696
						3			498	548	598	648	698	748	798
MPTX	101	104	110	114	120			•	273	323	373	423	473	523	573
						1			318	368	418	468	518	568	618
						2			396	446	496	546	596	646	696
						3			498	548	598	648	698	748	798

STEEL EXTENSION TUBE

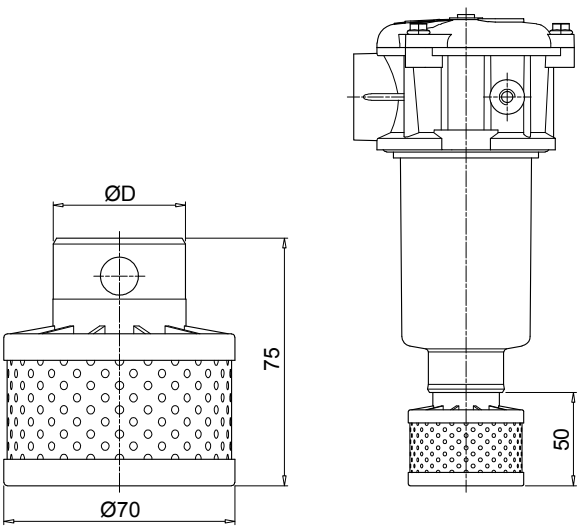
H1 - Total length immersed in the tank

Configuration example: **MPF191** **2** **A** **F1** **A10** **H** **B** **S60**

Series	Size	Material	Length	H1 [mm]
S30			300	300
S35			350	350
S40			400	400
S45			450	450
S50			500	500
S60			600	600
S70			700	700
S80			800	800
S90			900	900

Filter series		Filter size		Filter length	Ø D [mm]		
					52	65	
MPF	400	410	450	451	2	•	
					1	•	
					2		•
					3		
	750			1		•	

DIFFUSER WITH FAST LOCK CONNECTION

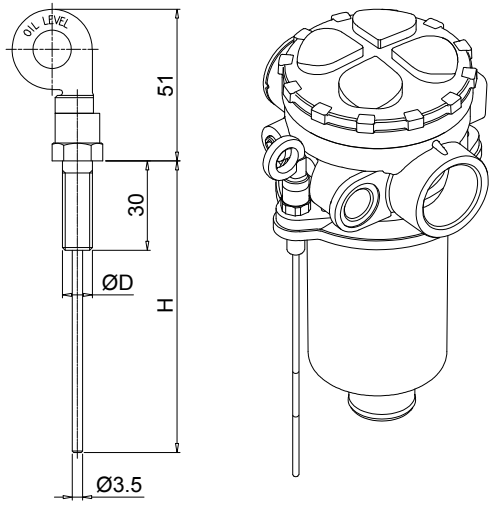


Configuration example: **DFS 32 A 075**

Series		DFS
Size		32
Size	ø D [mm]	32
40	40	
Version		A Standard
Length		075 Standard

COMPATIBILITY TABLE								
Filter series	Filter size			Filter Length	DFS32	DFS40		
MPF	100	104	110	1	•			
				2				
				3		•		
				4				
MPFX	100	104	110	1		•		
				2		•		
				3				
				4				
MPT	101	104	110	114	120	1	•	
						2		
						3		•
						4		
MPTX	101	104	110	114	120	1		•
						2		•
						3		
						4		

DIPSTICK



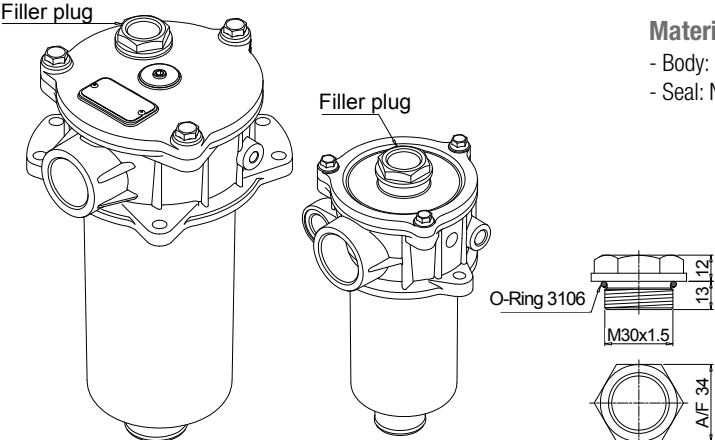
Configuration example: **DPT 20 M10 A P01**

Series		DPT
Length	H [mm]	20
15	134	
20	184	
25	234	
30	284	
35	334	
Fastening		M8 Fastening with screws ø D = M8
		M10 Fastening with screws ø D = M10
Seals		A NBR
		V FPM
Execution		P01 MP Filtri standard
		Pxx Customized

Materials
 - Screw: phosphatized steel
 - Stick: phosphatized steel
 - Handle: Nylon

Technical data
 Working temperature: from -25 °C to +110 °C

FILLER PLUG



Materials
 - Body: Nylon
 - Seal: NBR

Technical data
 Tightening torque: 15 N·m

O-Ring 3106

For any further information, please, contact our commercial dept.