

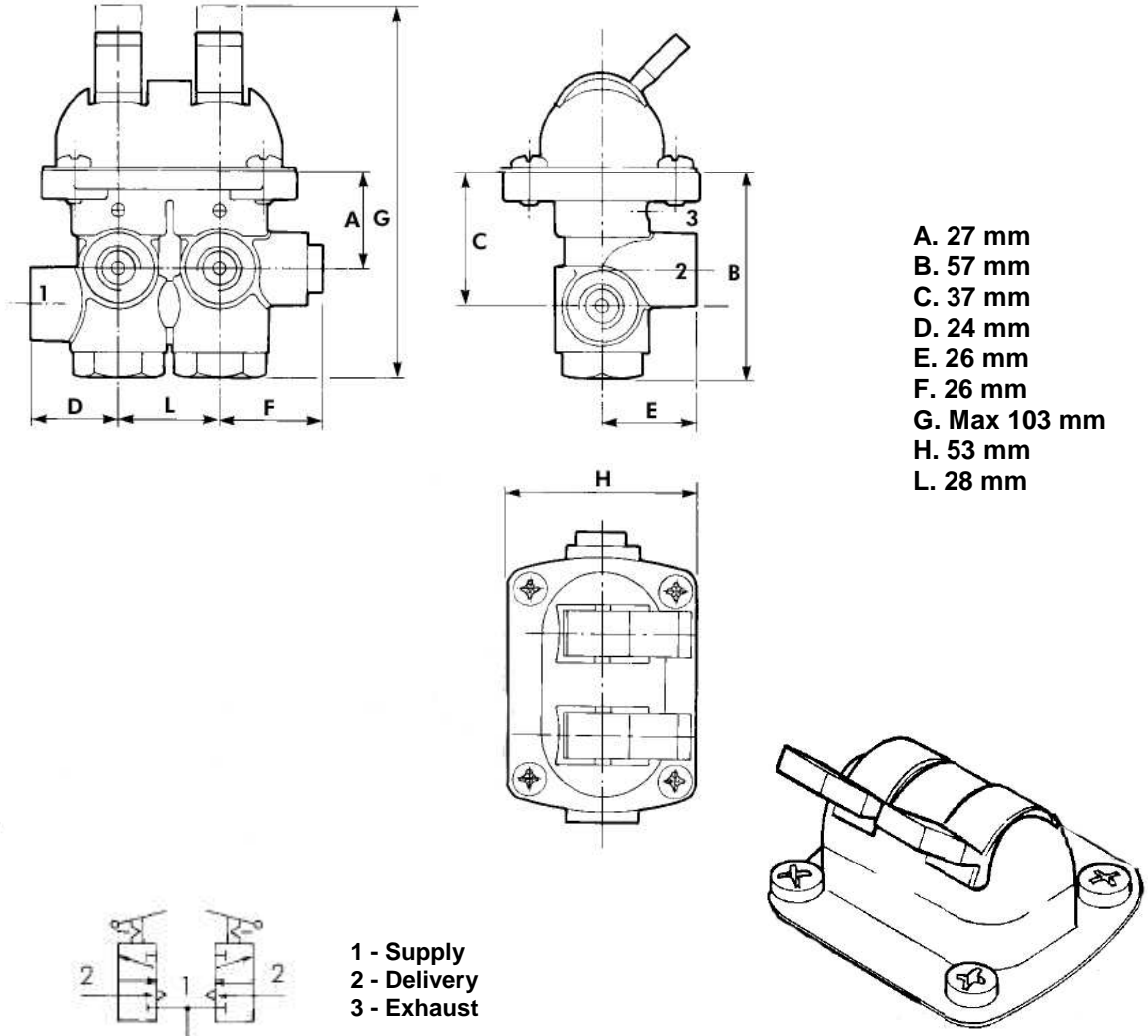


Double One-way Valve

Ref. AOHCACMC2

Metallic

Main Dimensions



(Dimensions in mm)

Main Data

Working medium	Air
Operating pressure (Bar)	up to 12
Working temperature	- 40°C / + 80 °C
Nominal diameter (mm)	3
Thread Ports	G1/8"
Weight (Kg)	0,290

CTI AOHCACMC2 0901-5

ABER is constantly engaged in improving its products and, therefore, reserves itself the right to modify without any further notice the characteristics shown



ABER - Embraiaçens e Comandos Hidráulicos - A. B. LDA
 Rua Francisco de Almeida, Nº 30 – Vila Nova da Telha – 4470 MAIA - Portugal
 Telephone: +351.22.9438070 Fax: +351.22.9420823 e-mail: aber@aber.pt <http://www.aber.pt>