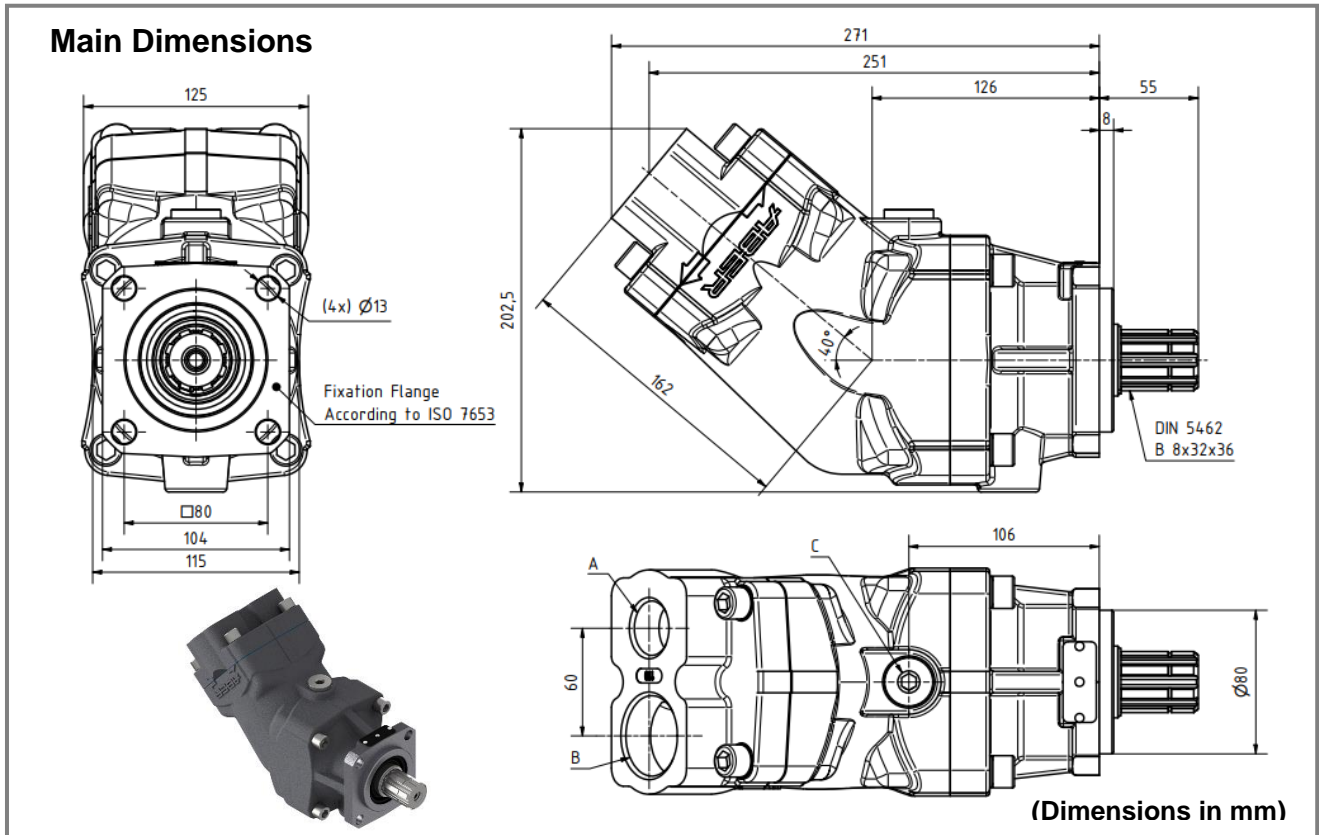




OIL HYDRAULIC BENT AXIAL PISTONS PUMP

Ref. BIF P7



| Main Data | | | | |
|---|-------------|--------------|--------------|--------------|
| Pumps BIF | 80P7 | 110P7 | 125P7 | 135P7 |
| Displacement (cm³/rot.) | 80 | 108 | 126 | 136 |
| Max. operating pressure (bar) | 400 | 350 | 350 | 250 |
| Operating rotation¹ (rpm) | 1800 | 1600 | 1500 | 1500 |
| Max. rotation without load¹ (rpm) | 2000 | 1800 | 1700 | 1700 |
| Weight (approx.) (kg) | 18.9 | 18.7 | 18.6 | 18.5 |
| Piston quantity | 7 | | | |
| A-Oil outlet (DIN ISO 228) | 1" BSP | 1" BSP | 1" BSP | 1" BSP |
| B-Oil inlet (DIN ISO 228) | 1 1/4" BSP | 1 1/2" BSP | 1 1/2" BSP | 1 1/2" BSP |
| C | Drain hole | | | |

How to order:

Example: Pump 80cm³/rot, operating pressure up to 400 bar; ref. BIF P7 → BIF80P7

| | |
|---|--|
| Fluids | mineral oils type ISO HM or DIN 51524-2 HLP |
| Recommended viscosity range | 20 to 40 cSt (mm ² /s) at working temperature |
| Limits viscosity range | 10 to 750 cSt (mm ² /s) |
| Start-up viscosity range, without load | 750 to 1500 cSt (mm ² /s) |
| Filtration | 10µm ISO4406 18/13 |
| Inlet pressure range | 0,8 to 2 bar abs |
| In the application of any of these pumps; the use of these data does not exempt the reading of the instruction "BI pumps recommendations before start-up" | |

¹ These values are valid at an absolute pressure of 1 bar in suction port when operating with a mineral oil at a viscosity of 30 mm²/s (cSt)

ABER is constantly engaged in improving its products and, therefore, reserves itself the right to modify without any further notice the characteristics shown

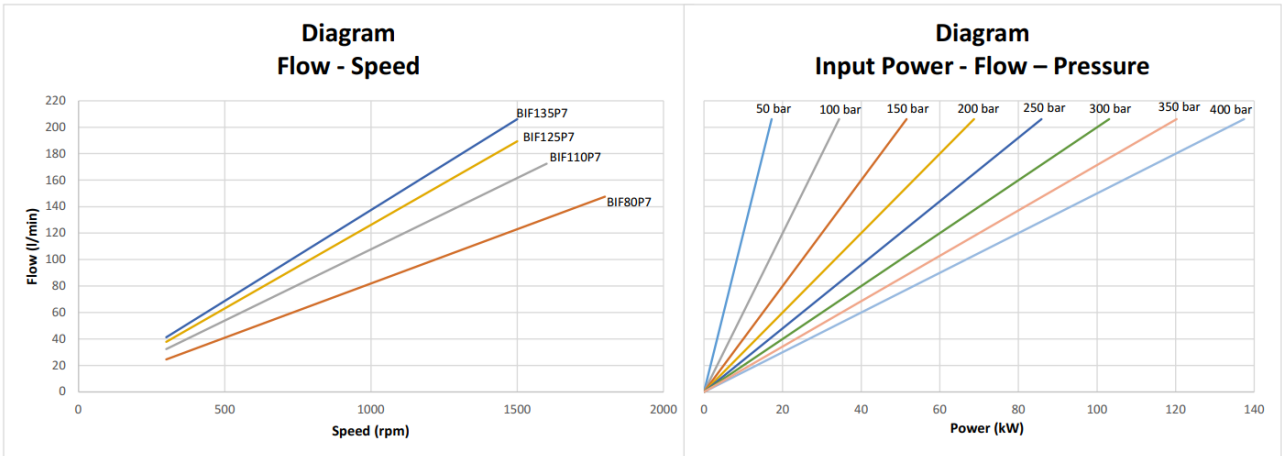
ABER HYDRAULICS S.A.

Rua Francisco de Almeida, Nº 30 – Vila Nova da Telha – 4470-410 Maia - Portugal
 Phone: +351.22.9438070 | E-mail: aber@aber.pt | <http://www.aber.pt>



OIL HYDRAULIC BENT AXIAL PISTONS PUMP

Ref. BIF P7



Hose dimensions

| Inlet Hose | |
|--------------|-------------------------------|
| Flow (l/min) | Internal pipe diameter (inch) |
| 30-40 | 1"1/4 |
| 50-60 | 1"1/2 |
| 70-90 | 1"3/4 |
| 100-120 | 2" |
| 130-150 | 2"1/4 |
| 160-190 | 2"1/2 |
| 200-230 | 2"3/4 |

| Outlet Hose | | | | | |
|--------------|-------------------------------|---------|---------|---------|---------|
| Flow (l/min) | Internal pipe diameter (inch) | | | | |
| | 30 | 1/2" | 1/2" | 1/2" | 1/2" |
| 40 | 5/8" | 1/2" | 1/2" | 1/2" | 1/2" |
| 50 | 5/8" | 5/8" | 5/8" | 1/2" | 1/2" |
| 60 | 3/4" | 5/8" | 5/8" | 5/8" | 5/8" |
| 70 | 1" | 3/4" | 3/4" | 5/8" | 5/8" |
| 80 | 1" | 3/4" | 3/4" | 3/4" | 3/4" |
| 90 | 1" | 1" | 1" | 3/4" | 3/4" |
| 100 | 1" | 1" | 1" | 1" | 3/4" |
| 110 | 1" | 1" | 1" | 1" | 1" |
| 120 | 1" | 1" | 1" | 1" | 1" |
| 130 | 1" | 1" | 1" | 1" | 1" |
| 140 | 1"1/4 | 1" | 1" | 1" | 1" |
| 150 | 1"1/4 | 1" | 1" | 1" | 1" |
| 160 | 1"1/4 | 1"1/4 | 1" | 1" | 1" |
| 170 | 1"1/4 | 1"1/4 | 1" | 1" | 1" |
| 180 | 1"1/4 | 1"1/4 | 1"1/4 | 1" | 1" |
| 190 | 1"1/4 | 1"1/4 | 1"1/4 | 1" | 1" |
| 200 | 1"1/2 | 1"1/4 | 1"1/4 | 1"1/4 | 1" |
| 210 | 1"1/2 | 1"1/4 | 1"1/4 | 1"1/4 | 1"1/4 |
| | 50-100 | 100-150 | 150-200 | 200-300 | 300-400 |
| | P (bar) | | | | |

Important notes:

- To install one of these pumps, please consult and respect the instruction manual "BI pumps recommendations before start-up";
- For more options, please consult ABER.

ABER is constantly engaged in improving its products and, therefore, reserves itself the right to modify without any further notice the characteristics shown

ABER HYDRAULICS S.A.

Rua Francisco de Almeida, Nº 30 – Vila Nova da Telha – 4470-410 Maia - Portugal
 Phone: +351.22.9438070 | E-mail: aber@aber.pt | <http://www.aber.pt>