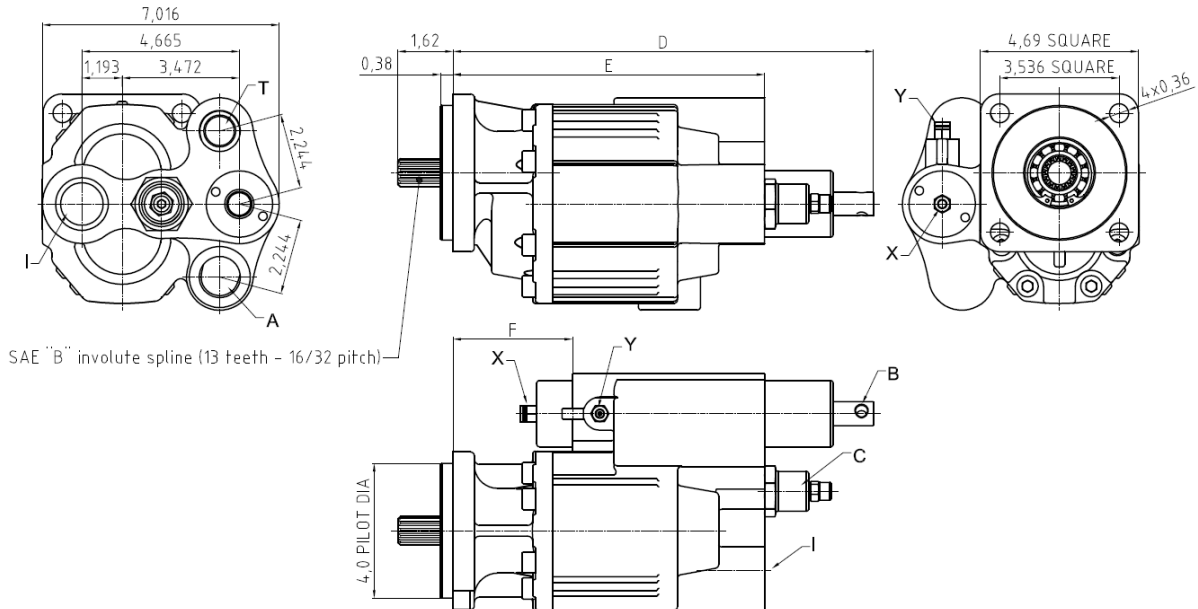




To apply with supported PTO's

Main Dimensions



- A – Cylinder 1" NPTF
- B – Pull Stroke end
- C – Relief valve 200L (similar cartridge)
- I – Inlet 1"1/4 NPTF
- T – Tank 1" NPTF
- X – Descent 1/8" NPT
- Y – Ascent 1/8" NPT

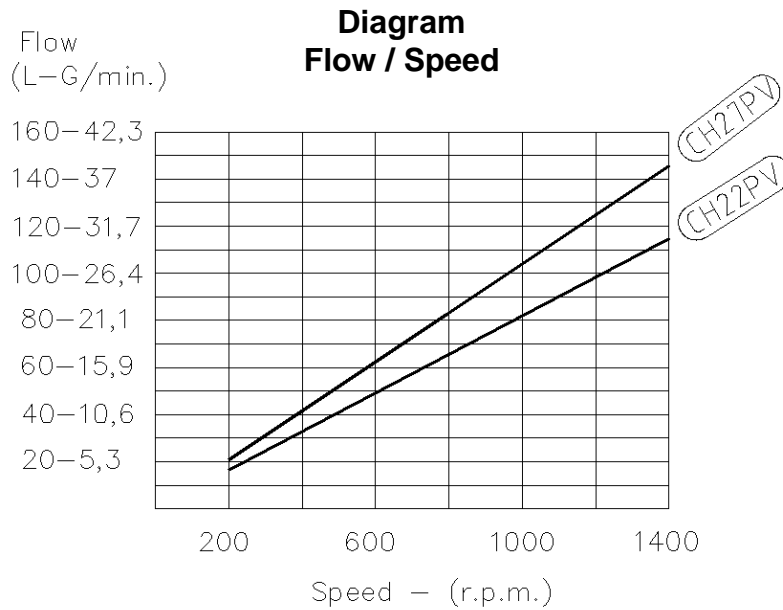
(Dimensions in inch)

Main Data		
Pump CH	22PV	27PV
Output at 1000 r.p.m (L – G)	82-21.7	102 - 27
Rotation Máx. (r.p.m)	1400	1400
Standard pressure (BAR – PSI)	140 - 2000	140 - 2000
(at 175bar the valve sends all the flow to the tank)	175 - 2500	175 - 2500
D	11.884	12.474
E	8.642	9.232
F	2.953	3.543
Weight (kg)	20	22

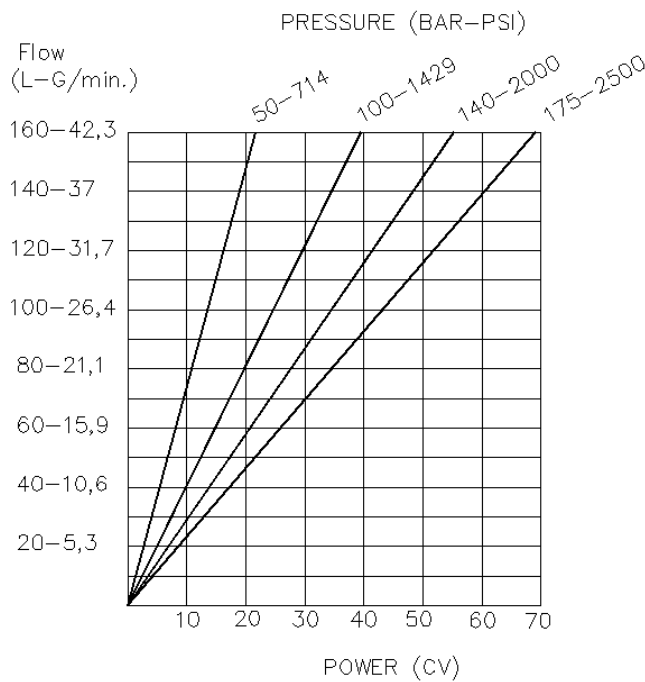
CTI CH27PV 0902-4

ABER is constantly engaged in improving its products and, therefore, reserves itself the right to modify without any further notice the characteristics shown





**Diagram
Input Power - Flow - Pressure amplitude**



IMPORTANT NOTES:

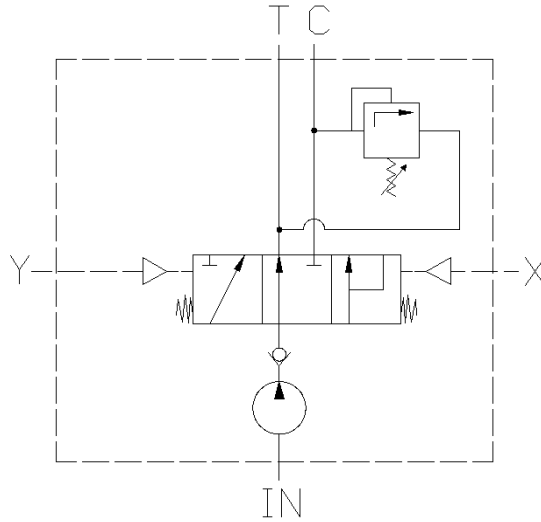
- Used always return filters. We recommend filters with mesh equal to or lower than 25 μ m
- Use a good quality mineral hydraulic-oil with viscosity at operating temperature between 20 and 46 cSt
- Fill the oil tank to 85% of its maximum capacity (the remainder 15% must not have oil)

ABER is constantly engaged in improving its products and, therefore, reserves itself the right to modify without any further notice the characteristics shown

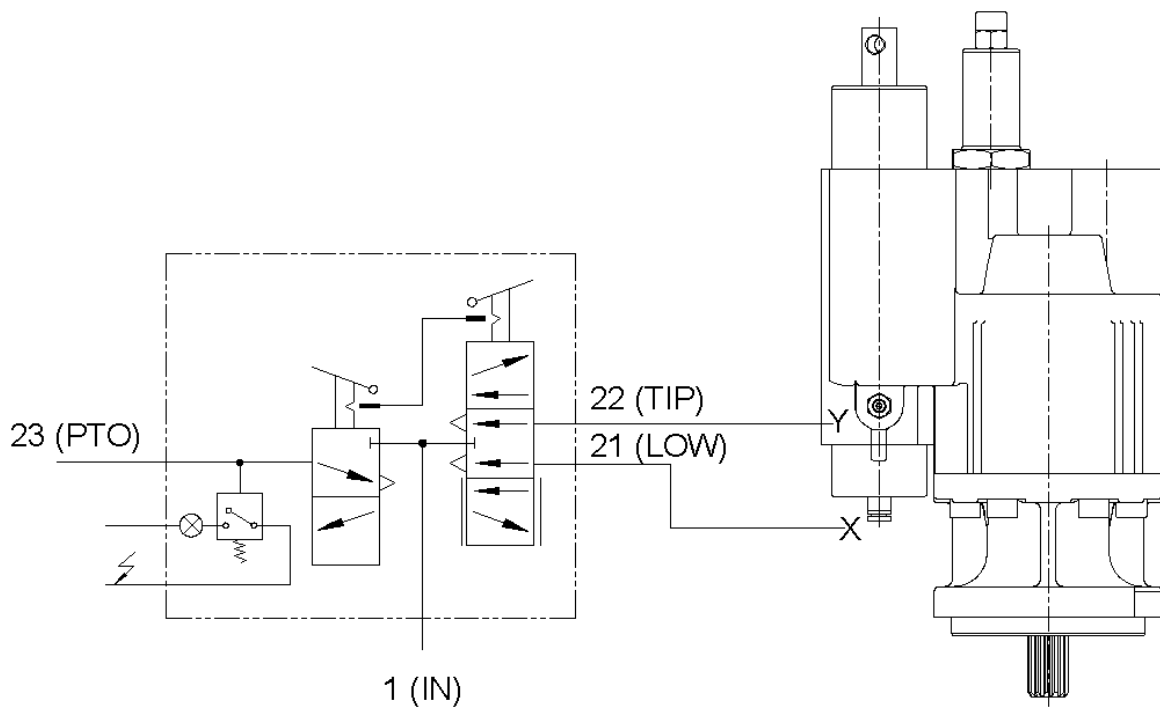




Hydraulic scheme



Pneumatic scheme



CTI CH27PV 0902-4

ABER is constantly engaged in improving its products and, therefore, reserves itself the right to modify without any further notice the characteristics shown

