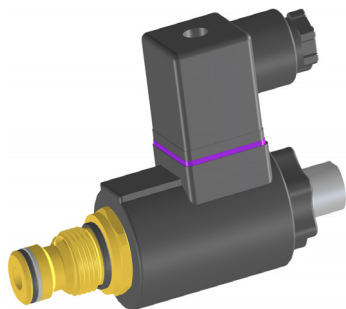


# Proportional Pressure-Relief Cartridge Valve, Size 1

$Q_{\max} = 1.5 \text{ l/min}$ ,  $p_{\max} = 420 \text{ bar}$   
 Pilot valve, seated design, direct acting  
 Series DVSA-1L...



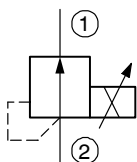
- Can be used as a pilot valve
- Compact construction for cavity type AL – 3/4-16 UNF
- Operated by a proportional solenoid
- In a power failure, the pressure setting drops to the minimum value
- 5 pressure ranges available
- All exposed parts with zinc-nickel plating
- High pressure wet-armature solenoids
- The slip-on coil can be rotated, and it can be replaced without opening the hydraulic envelope
- Various plug-connector systems and voltages are available
- Can be fitted in a line-mounting body

## 1 Description

These proportional pressure-relief cartridges, series DVSA-1L..., are size 1 pilot valves featuring a seat-valve design and a 3/4-16 UNF mounting thread. With these pressure-relief cartridges, the relief pressure is dependent on the electrical control signal and can be continuously varied. When the solenoid is de-energised (initial position), connection 2 → 1 is open and the minimum pressure (free flow) depends on the flow rate. Any pressure at port 1 is additive to the valve setting at port 2, therefore port 1 should preferably be connected directly to tank. In control mode, the relief pressure is proportional to the change in the required value (amplifier output current). In order to obtain precise pressure settings over the whole of the required pressure range

(optimum resolution), the pressure relief cartridges are available in five pressure levels. These proportional pressure-relief cartridges are primarily used as pilot valves, mainly in mobile and industrial applications to allow a pressure in hydraulic installations to be limited electro-proportionally. All external parts of the cartridge are zinc-nickel plated to DIN 50 979 and are thus suitable for use in the harshest operating environments. The slip-on coils can be replaced without opening the hydraulic envelope and can be positioned at any angle through 360°. If you intend to manufacture your own cavities or are designing a line-mounting installation, please refer to the section "Related data sheets".

## 2 Symbol



## 3 Technical data

General characteristics	Description, value, unit
Designation	proportional pressure-relief cartridge valve
Design	pilot valve, seated design, direct acting
Mounting method	screw-in cartridge 3/4-16 UNF
Tightening torque	40 Nm ± 10 %
Size	nominal size 1, cavity type AL
Weight	0.40 kg

General characteristics	Description, value, unit
Mounting attitude	unrestricted (preferably vertical, coil down)
Ambient temperature range	-25 °C ... +50 °C

Hydraulic characteristics	Description, value, unit
Maximum operating pressure - main port 2 - port 1	420 bar 250 bar <sup>1)</sup>
Maximum flow rate	1.5 l/min
Nominal pressure ranges	...40 bar, ...100 bar, ...160 bar, ...250 bar, ...350 bar
Flow direction	2 → 1, see symbols
Hydraulic fluid	HL and HLP mineral oil to DIN 51 524; for other fluids, please contact BUCHER
Hydraulic fluid temperature range	-25 °C ... +70 °C
Viscosity range	15...380 mm <sup>2</sup> /s (cSt), recommended 20...130 mm <sup>2</sup> /s (cSt)
Minimum fluid cleanliness Cleanliness class to ISO 4406 : 1999	class 18/16/13



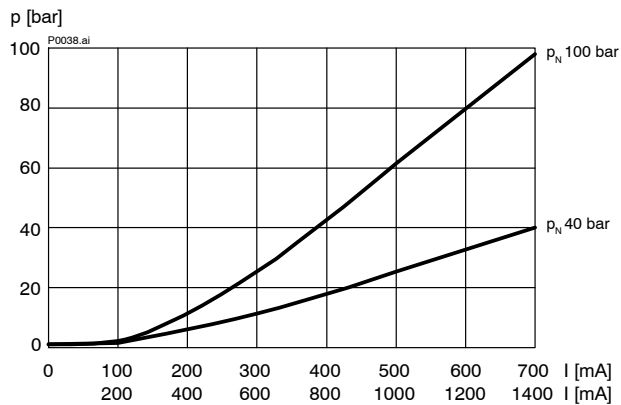
### ATTENTION!

<sup>1)</sup> To prevent any pressure surges, port 1 must be routed to tank with the least possible back-pressure. Any tank pressure acting at port 1 is additive to the pressure setting at the main port 2.

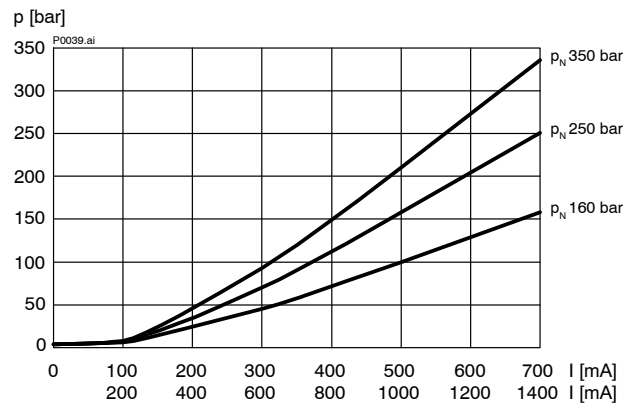
Electrical characteristics	Description, value, unit
Supply voltage	12 V DC, 24 V DC
Control current	12 V = 0...1400 mA, 24 V = 0...750 mA
Power consumption at max. control current	max. 19 W
Coil resistance R - cold value at 20 °C - max. warm value	12 V = 5.8 Ω / 24 V = 21 Ω 12 V = 8.6 Ω / 24 V = 32 Ω
Recommended PWM frequency (dither)	200 Hz
Hysteresis with PWM	2...4 % I <sub>N</sub>
Reversal error with PWM	2...4 % I <sub>N</sub>
Sensitivity with PWM	< 1 % I <sub>N</sub>
Reproducibility with PWM	< 2 % p <sub>N</sub>
Relative duty cycle	100 %
Protection class to ISO 20 653 / EN 60 529	IP 65 / IP 67 / IP 69K, see "Ordering code" (with appropriate mating connector and proper fitting and sealing)
Electrical connection	3-pin square plug to ISO 4400 / DIN 43 650 (standard) for other connectors, see "Ordering code"

## 4 Performance graphs measured with oil viscosity 33 mm<sup>2</sup>/s (cSt)

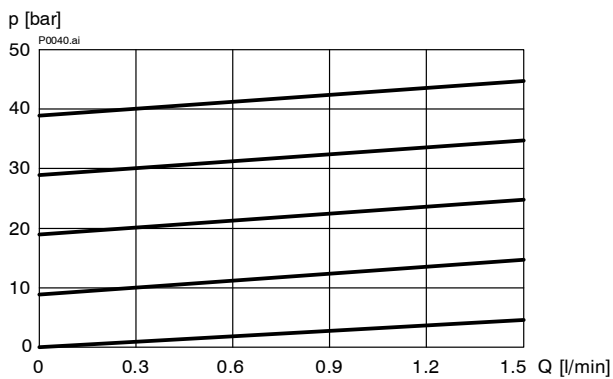
$p = f(I)$  Pressure-adjustment characteristic (at  $Q = 0.3$  l/min)



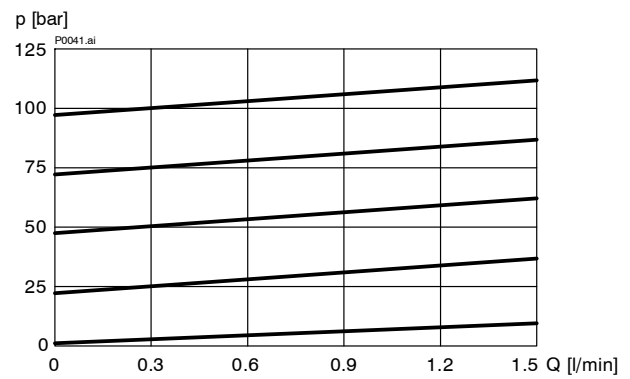
$p = f(I)$  Pressure-adjustment characteristic (at  $Q = 0.3$  l/min)



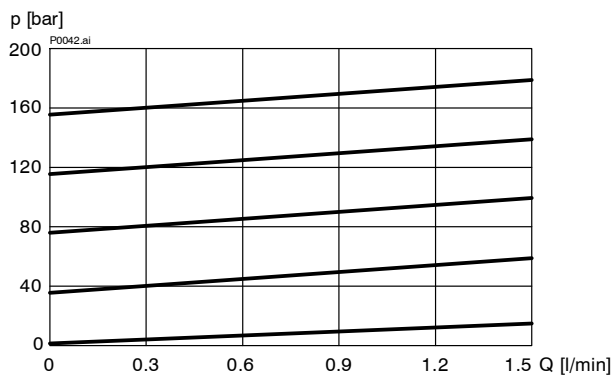
$p = f(Q)$  Pressure v. Flow rate characteristic  $p_N = 40$  bar



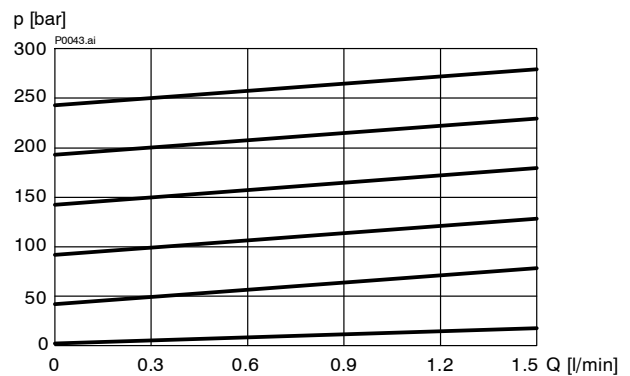
$p = f(Q)$  Pressure v. Flow rate characteristic  $p_N = 100$  bar



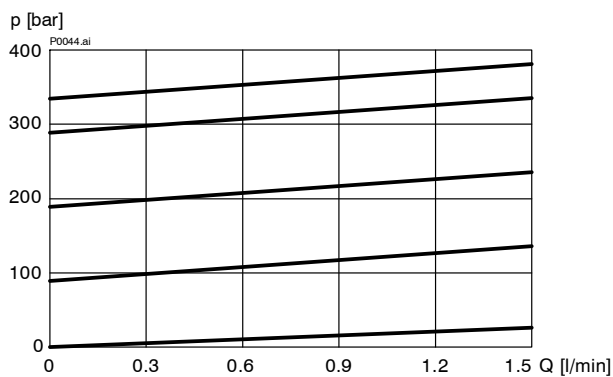
$p = f(Q)$  Pressure v. Flow rate characteristic  $p_N = 160$  bar



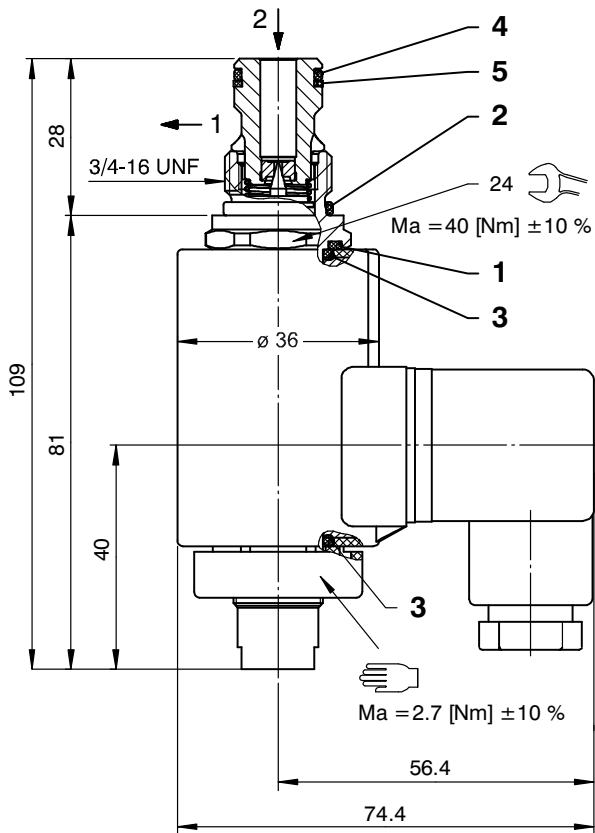
$p = f(Q)$  Pressure v. Flow rate characteristic  $p_N = 250$  bar



$p = f(Q)$  Pressure v. Flow rate characteristic  $p_N = 350$  bar



## 5 Dimensions & sectional view



Seal kit NBR no. DS-355-N <sup>1)</sup>

Item	Qty.	Description
1	1	O-ring $\varnothing$ 18,00 x 2,00 Viton
2	1	O-ring no. 017 $\varnothing$ 17,17 x 1,78 N90
3	2	O-ring $\varnothing$ 16,00 x 2,00 Viton
4	1	O-ring no. 014 $\varnothing$ 12,42 x 1,78 N90
5	1	Backup ring $\varnothing$ 10,70 x 1,45 x 1,00 FI0751



**IMPORTANT!**

<sup>1)</sup> Seal kit with FKM (Viton) seals no. DS-355-V

## 6 Installation information



**IMPORTANT!**

To achieve the proportional pressure-relief cartridge's maximum performance rating, fit the solenoid coil as shown (with the plug pins at the bottom). When fitting the cartridges, note the mounting attitude (preferably vertical, with coil down → automatic air bleed) and use the specified tightening torque. No adjustments are necessary, since the cartridges are set in the factory.



**ATTENTION!**

To prevent any pressure surges, port 1 must be routed to tank with the least possible back-pressure. Any tank pressure acting at port 1 is additive to the pressure setting at the main port 2.



**ATTENTION!**

Only qualified personnel with mechanical skills may carry out any maintenance work. Generally, the only work that should ever be undertaken is to check, and possibly replace, the seals. When changing seals, oil or grease the new seals thoroughly before fitting them.

## 7 Ordering code

Ex. **DV S A - 1 L - 350 - 1 - 1 - 24 D -**

DV	=	pressure-relief cartridge, pilot valve
S	=	standard solenoid (proportional)
A ... Q	=	standard model - see relevant data sheets
Z ... R	=	special features - please consult BUCHER
1	=	pressure function 1 (pressure-relief)
L	=	cavity type AL
350	=	pressure range ...350 bar
250	=	pressure range ...250 bar
160	=	pressure range ...160 bar
100	=	pressure range ...100 bar
040	=	pressure range ... 40 bar
1	=	nominal size 1 (primarily for pilot controls)
(blank)	=	NBR (Nitrile) seals (standard)
V	=	FKM (Viton) seals (special seals - please contact BUCHER)
1 ... 9	=	design stage (omit when ordering new units)
...	=	voltage e.g. 24 (24 V)
D	=	current DC
(blank)	=	ISO 4400 / DIN 43 650 mating plug (standard, IP 65)
M100	=	without mating DIN plug
C	=	Kostal plug connection (IP 65)
JT	=	Junior Timer radial plug connection (with protection diode, IP65)
IT	=	Junior Timer axial plug connection (with protection diode, IP65)
D	=	Deutsch plug connection DT04-2P (IP 67/69K)
DT	=	Deutsch plug connection DT04-2P (with protection diode, IP 67/69K)
S	=	AMP Superseal 1.5 (IP 67) / Metri-Pack 150 (IP 65)
F	=	flying leads (500 mm)

} mating plug not supplied

## 8 Related data sheets

Reference	(Old no.)	Description
400-P-040011	(i-32)	The form-tool hire programme
400-P-040171	(i-33.10)	Cavity type AL
400-P-120110	(W-2.141)	Coils for screw-in cartridge valves
400-P-510101		Amplifier unit for proportional valves (1-channel) PBS - 3A
400-P-511101	(P-3)	Amplifier card, 1-channel for valves with one solenoid, type SAN-535...
400-P-720101	(G-4.10)	Line-mounting body, type GALA (G 3/8")

info.ch@bucherhydraulics.com

www.bucherhydraulics.com

© 2015 by Bucher Hydraulics AG Frutigen, CH-3714 Frutigen

All rights reserved.

Data is provided for the purpose of product description only, and must not be construed as warranted characteristics in the legal sense. The information does not relieve users from the duty of conducting their own evaluations and tests. Because the products are subject to continual improvement, we reserve the right to amend the product specifications contained in this catalogue.

Classification: 430.305.300.305.300.310