



## Electronic Pressure Transmitter HDA 4700

### Description:

The pressure transmitter series HDA 4700 has a very accurate and robust sensor cell with a thin-film strain gauge on a stainless steel membrane.

The 4 .. 20 mA or 0 .. 10 V output signals enable connection to all measurement and control devices of HYDAC ELECTRONIC GMBH as well as standard evaluation systems (e.g. PLC controls).

The main areas of application are in the mobile or industrial sectors of hydraulics and pneumatics, particularly in applications with restricted installation space.

### Special features:

- Accuracy  $\leq \pm 0.25\%$  FS typ.
- Highly robust sensor cell
- Very small temperature error
- Excellent EMC characteristics
- Very compact design
- Persuasive price / performance ratio

### Technical data:

Input data	
Measurement ranges <sup>1)</sup>	6; 16; 60; 100; 250; 400; 600; 1000 bar
Overload pressures	15; 32; 120; 200; 500; 800; 1000; 1600 bar
Burst pressures	100; 200; 300; 500; 1000; 2000; 2000; 3000 bar
Mechanical connection <sup>1)</sup>	G1/4 A DIN 3852; G1/2 A DIN3852
Torque value	20 Nm (G1/4); 45 Nm (G1/2)
Parts in contact with medium	Mech. conn.: Stainless steel Seal: FPM
Output data	
Output signal, permitted load resistance	4 .. 20 mA, 2 conductor $R_{l,max} = (U_e - 8 V) / 20 \text{ mA}$ [k $\Omega$ ] 0 .. 10 V, 3 conductor $R_{l,min} = 2 \text{ k}\Omega$
Accuracy to DIN 16086, Max. setting	$\leq \pm 0.25\%$ FS typ. $\leq \pm 0.5\%$ FS max.
Accuracy at min. setting (B.F.S.L.)	$\leq \pm 0.15\%$ FS typ. $\leq \pm 0.25\%$ FS max.
Temperature compensation	$\leq \pm 0.008\%$ FS / °C typ.
Zero point	$\leq \pm 0.015\%$ FS / °C max.
Temperature compensation	$\leq \pm 0.008\%$ FS / °C typ.
Over range	$\leq \pm 0.015\%$ FS / °C max.
Non-linearity at max. setting to DIN 16086	$\leq \pm 0.3\%$ FS max.
Hysteresis	$\leq \pm 0.1\%$ FS max.
Repeatability	$\leq \pm 0.05\%$ FS
Rise time	$\leq 1 \text{ ms}$
Long-term drift	$\leq \pm 0.1\%$ FS typ. / year
Environmental conditions	
Compensated temperature range	-25 .. +85 °C
Operating temperature range <sup>2)</sup>	-40 .. +85 °C / -25 .. +85 °C
Storage temperature range	-40 .. +100 °C
Fluid temperature range <sup>2)</sup>	-40 .. +100 °C / -25 .. +100 °C
CE mark	EN 61000-6-1 / 2 / 3 / 4
UL mark <sup>3)</sup>	Certificate No. E318391
Vibration resistance to DIN EN 60068-2-6 at 10 .. 500 Hz	$\leq 20 \text{ g}$
Protection class to IEC 60529	IP 65 (for male EN175301-803 (DIN 43650) and Binder 714 M18) IP 67 (M12x1, when an IP 67 connector is used)
Other data	
Supply voltage	8 .. 30 V DC 2 conductor 12 .. 30 V DC 3 conductor
for use acc. to UL spec.	- limited energy - according to 9.3 UL 61010; Class 2; UL 1310/1585; LPS UL 60950
Residual ripple of supply voltage	$\leq 5\%$
Current consumption	$\leq 25 \text{ mA}$
Life expectancy	> 10 million cycles 0 .. 100 % FS
Weight	~ 145 g

Note: Reverse polarity protection of the supply voltage, excess voltage, override and short circuit protection are provided.

FS (Full Scale) = relative to complete measuring range

B.F.S.L. = Best Fit Straight Line

<sup>1)</sup> 1000 bar only with mechanical connection G 1/2 A DIN 3852 and vice versa

<sup>2)</sup> -25 °C with FPM seal, -40 °C on request

<sup>3)</sup> Environmental conditions according to 1.4.2 UL 61010-1; C22.2 No 61010-1

## Model code:

HDA 4 7 X X - X - XXX - 000

### Mechanical connection

- 2 = G1/2 A DIN 3852 (only for "1000 bar" press. range)
- 4 = G1/4 A DIN 3852 (male)

### Electrical connection

- 4 = Male, 4 pole Binder series 714 M18 (connector not supplied)
- 5 = Male, 3 pole + PE, EN175301-803 (DIN 43650) (connector supplied)
- 6 = Male M12x1, 4 pole (connector not supplied)

### Signal

- A = 4 .. 20 mA, 2 conductor
- B = 0 .. 10 V, 3 conductor

### Pressure ranges in bar

006; 016; 060; 100; 250; 400; 600  
1000 bar (only in conjunction with mechanical connection type "2")

### Modification number

000 = Standard

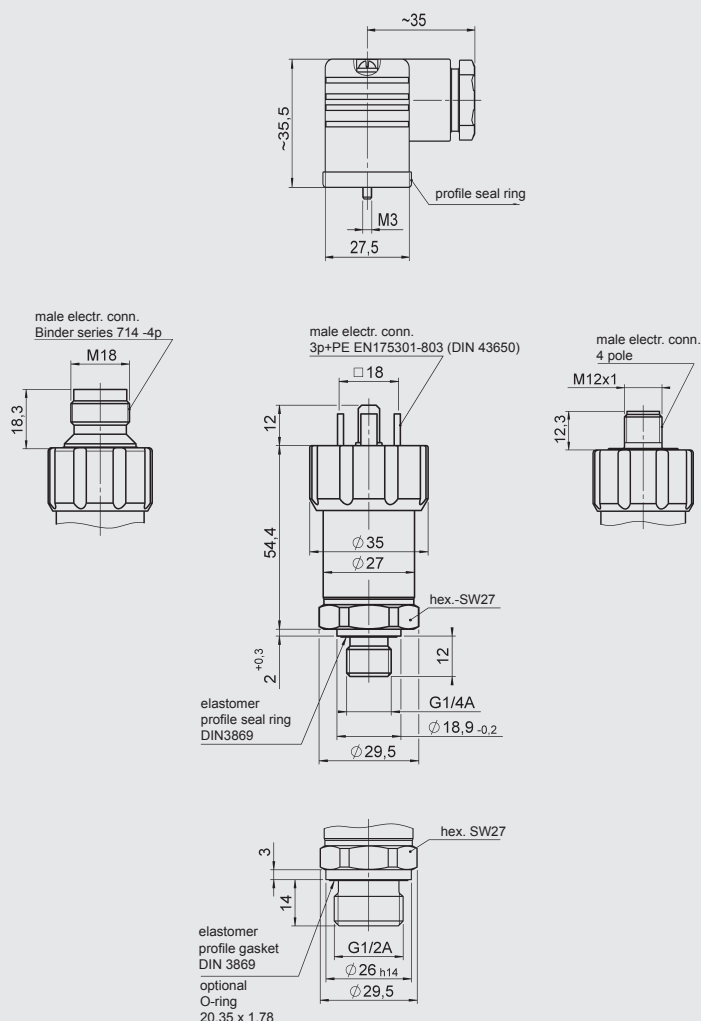
### Note:

On instruments with a different modification number, please read the label or the technical amendment details supplied with the instrument.

### Accessories:

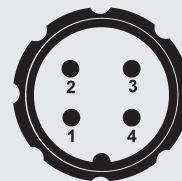
Appropriate accessories, such as electrical connectors, can be found in the Accessories brochure.

## Dimensions:



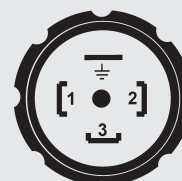
## Pin connections:

Binder series 714 M18



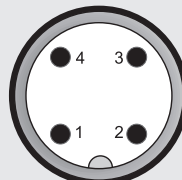
Pin	HDA 47X4-A	HDA 47X4-B
1	n.c.	+U <sub>B</sub>
2	Signal+	Signal
3	Signal-	0 V
4	n.c.	n.c.

EN175301-803 (DIN 43650)



Pin	HDA 47X5-A	HDA 47X5-B
1	Signal+	+U <sub>B</sub>
2	Signal-	0 V
3	n.c.	Signal
⊥	Housing	Housing

M12x1



Pin	HDA 47X6-A	HDA 47X6-B
1	Signal+	+U <sub>B</sub>
2	n.c.	n.c.
3	Signal-	0 V
4	n.c.	Signal

### Note:

The information in this brochure relates to the operating conditions and applications described.

For applications or operating conditions not described, please contact the relevant technical department.  
Subject to technical modifications.

### HYDAC ELECTRONIC GMBH

Hauptstraße 27, D-66128 Saarbrücken  
Telephone +49 (0)6897 509-01  
Fax +49 (0)6897 509-1726  
E-mail: [electronic@hydac.com](mailto:electronic@hydac.com)  
Internet: [www.hydac.com](http://www.hydac.com)