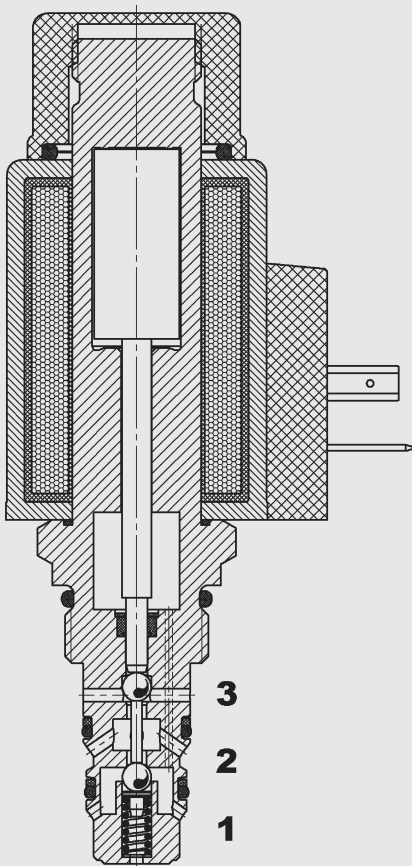


Up to 12 l/min
Up to 500 bar

FUNCTION



The directional solenoid valve WSM03230C is a direct-acting, spring-loaded poppet valve.

When de-energized, there is flow through the WSM03230C from port 2 to port 3, and port 1 is closed. When the solenoid is energized, the valve allows flow from port 1 to 2, while blocking flow at port 3.

3/2 Solenoid Directional Valve Poppet Type, Direct-Acting Metric Cartridge – 500 bar WSM03230C-01

FEATURES

- External surfaces zinc-plated and corrosion-proof
- Hardened and ground internal valve components to ensure minimal wear and extended service life
- Coil seals protect the solenoid system
- Wide variety of connectors available
- Excellent switching performance by high power HYDAC solenoid

SPECIFICATIONS

Operating pressure:	max. 500 bar	
Nominal flow:	max. 12 l/min	
Internal leakage:	Leakage-free (max. 5 drops/min)	
Temperature range of operating fluid:	min. -20 °C to max. +120 °C	
Ambient temperature range:	min. -20 °C to max. +60 °C	
Operating fluid:	Hydraulic oil to DIN 51524 Part 1 and 2	
Viscosity range:	min. 7.4 mm ² /s up to max. 380 mm ² /s	
Filtration:	Class 21/19/16 to ISO 4406 or cleaner	
MTTF _d :	150 years	
Installation:	No orientation restrictions	
Materials:	Valve body:	free-cutting steel
	Poppet:	hardened and ground steel
	Seals:	FKM (standard) NBR (optional, temperature range -20 °C to max. +100 °C)
	Back-up rings:	PTFE
	Coil:	steel / polyamide
Cavity:	03230	
Weight:	Complete valve	0.45 kg
	Coil only	0.23 kg

Electrical data:

Type of voltage:	DC solenoid, AC voltage is rectified using a bridge rectifier built into the coil	
Current draw at 20 °C:	2.22 A / 5.4 Ohm at 12 V DC 1.13 A / 21.2 Ohm at 24 V DC	
Voltage tolerance:	± 15% of nominal	
Coil duty rating:	Continuous up to max. 115% of the nominal voltage at 60 °C ambient temperature	
Response time:	On:	approx. 35 ms
	Off:	approx. 25 ms
Coil type:	Coil...-50-1836	

