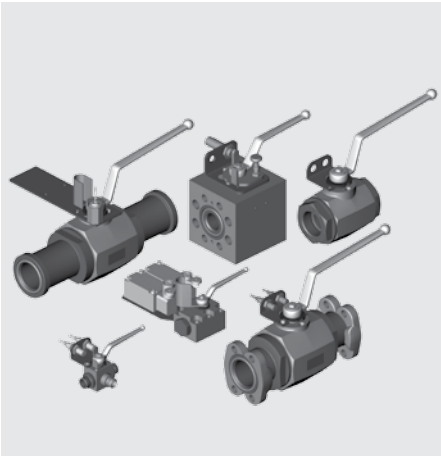


## Ball Valves with Electrical Limit Controls



**Model code** (Limit switch)  
(also example order)

**KHM-G2-1114-16X E 1. 000**

### Designation

Type of ball valve

### Limit control

E = Limit switch (position switch)

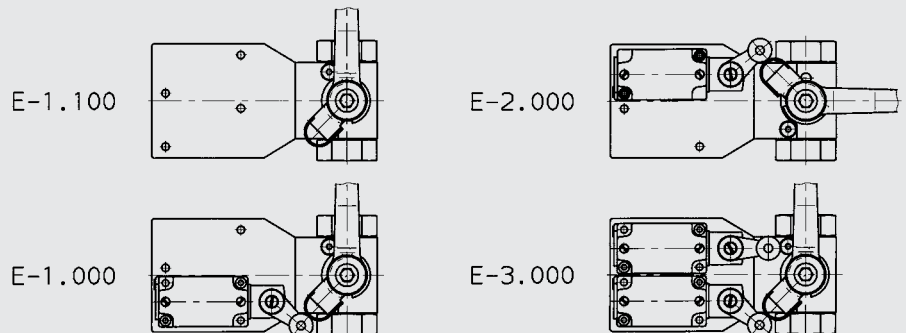
### Monitored switching position

- 1 = Monitoring of ball valve in open position
- 2 = Monitoring of ball valve in closed position
- 3 = Monitoring of ball valve in open and closed positions

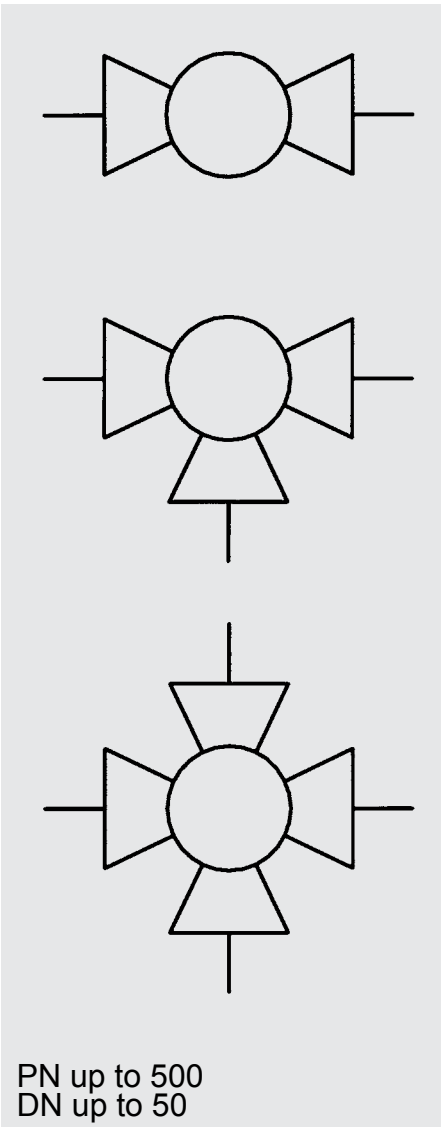
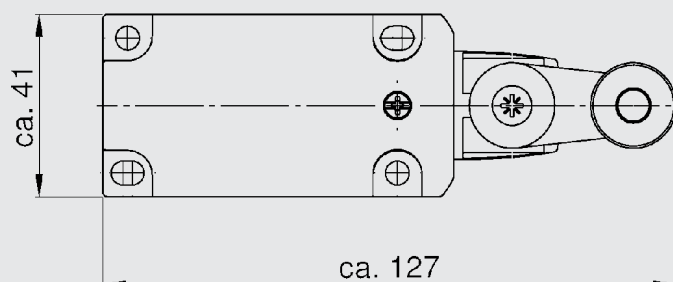
### Limit switch code

000 = Limit switch to DIN EN 50041 - type A  
 100 = Adapted for limit switch to DIN EN 50041 - type A  
 ... = On request, almost all commercially available makes and protection classes can be supplied.

### Examples of different models



### Limit switch



**Model code** (Inductive proximity switch)  
(also order example)

**KHM-G2-1114-16X I 1. 200**

**Designation**

Type of ball valve

**Limit control**

I = Inductive proximity switch

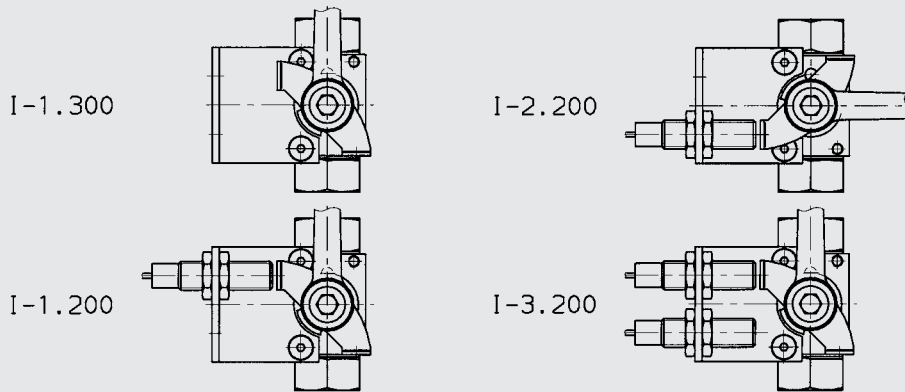
**Monitored switching position**

- 1 = Monitoring of ball valve in open position
- 2 = Monitoring of ball valve in closed position
- 3 = Monitoring of ball valve in open and closed positions

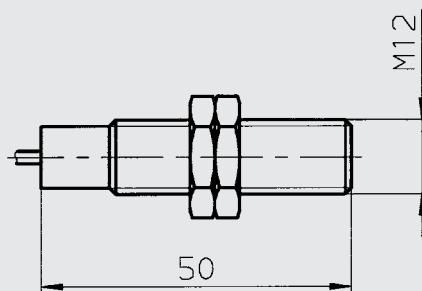
**Proximity switch code**

- 200 = With built-in cylindrical proximity switch M12 to DIN EN 60947 type: IA
- 300 = Adapted for cylindrical proximity switch M12 to DIN EN 60947 Type: IA.
- ... = On request; almost all commercially available makes and protection classes can be supplied.

**Examples of different models**



**inductive proximity switch**



## Technical specifications

### Limit switch:

Position switch:	To DIN EN 50041 Form A, metal enclosure with roller lever
Switch equipment:	1 N/C contact and 1 N/O contact
Protection class:	IP 67
Insulation group:	500 V AC
Continuous current:	10 A
Nominal voltage:	300 V AC
Mechanical service life:	30 x 10 <sup>6</sup> switching cycles
Switching frequency:	6 x 10 <sup>3</sup> switching cycles per hour
Permitted ambient temperature:	-40 °C to +85 °C

### Inductive proximity switch:

Type of construction:	Cylindrical form M12 to DIN EN 60947
Rated switching distance:	4 mm
Output:	Normally open contact / PNP logic
Protection type:	IP 67
Operating voltage:	10 - 30 V DC (including residual ripple)
Nominal voltage:	12 - 24 V DC
Switching current:	≤ 200 mA
Current consumption without load:	< 11 mA
Switching hysteresis:	10%
Switching frequency:	800 Hz
Permitted ambient temperature:	-25 °C to +70 °C
Function display:	LED
Type of connection:	Cable 3 conductor, 5 m long

## Spare Parts

Retrofit kit for electrical switching position monitoring can be supplied on request.

### NOTE

The information in this brochure relates to the operating conditions and applications described.

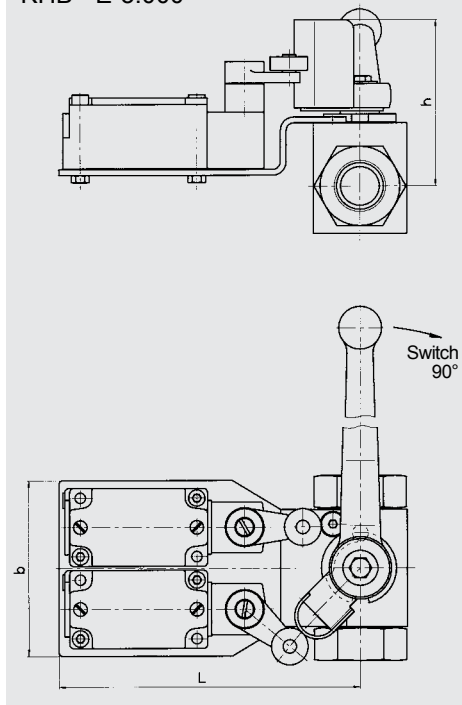
For applications and operating conditions not described, please contact the relevant technical department.

Subject to technical modifications.

## DIMENSIONS

### BALL VALVE WITH LIMIT SWITCH

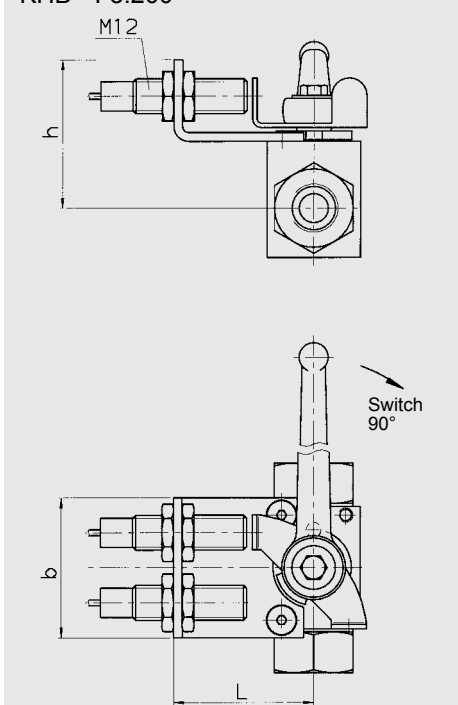
KHB - E-3.000



DN	L	b	h
04/06	155	90	75
08/10/13	155	90	75
16	155	90	82
20	155	90	87
25	155	90	90
32	155	90	103
40	155	90	109
50	155	90	115

### BALL VALVE WITH INDUCTIVE PROXIMITY SWITCH M12

KHB - I-3.200



DN	L	b	h
06	45	47	59
08/10/13	46	47	51
16	46	47	54
20	49	60	61
25	49	60	64
32	50	60	78
40	50	60	84
50	50	60	91

### HYDAC Accessories GmbH

Hirschbachstr. 2

66280 Sulzbach/Saar

Tel.: +49 (0)6897 - 509-01

Fax: +49 (0)6897 - 509-1009

Internet: www.hydac.com

E-Mail: info@hydac.com

