

## Coil FAE-34050-T

### APPLICATION:

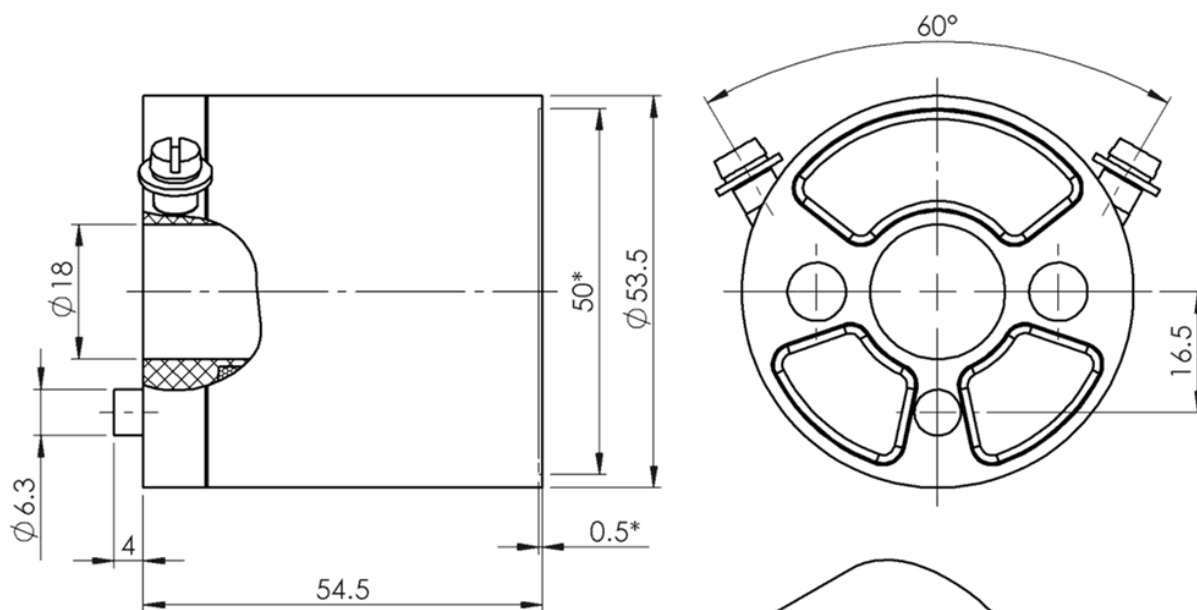
As a spare part of pneumatic solenoids which control the door closing system in rail vehicles.

### TECHNICAL DESCRIPTION:

The spool is made from plastic in black colour – when wound, the coil is overmoulded with plastic under pressure to make it difficult to steal copper contained in it.



SPECIFICATION:		ver. 1	ver. 3	ver. 4 pulse
Rated voltage	[VDC]	24	110	110
Rated power	[W]	12	13	40
Rated resistance	[Ω]	48	930	300
Insulation class		F	F	F
Work time	[%] ED	100	100	pulse
Max ambient temperature	[°C]	+50	+50	+50
Weight	[kg]	0,41	0,41	0,41
Coil opening diameter	[mm]	Ø 18	Ø 18	Ø 18
Overall dimensions	[mm]	Ø53,5x54,5	Ø53,5x54,5	Ø53,5x54,5



\* - wymiary pogłębienia  
(dotyczy tylko cewek 110VDC)

