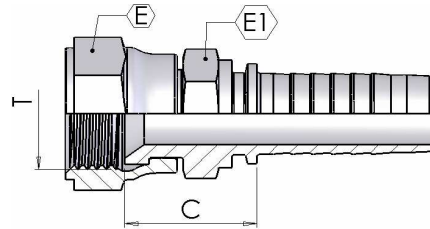
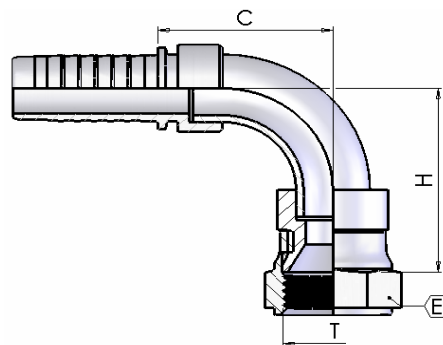
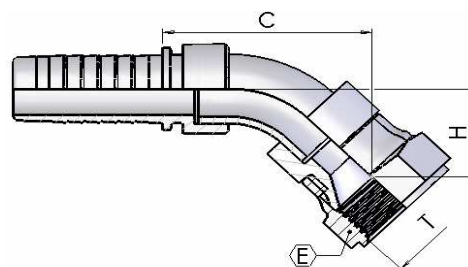


0930 Ниппель JIS 60° (Toyota)
(JIS-T) JIS Female 60° cone (Toyota)


part number	hose I.D.		Dimension				
			dash size	thread	hex		cut-off
	in	mm		T	E	E1	
0930-04-04	1/4	6,4	04	1/4-19	19	17	20
0930-06-06	3/8	9,5	06	3/8-19	22	19	22
0930-08-08	1/2	12,7	08	1/2-14	27	22	26
0930-12-12	3/4	19	12	3/4-14	32	30	29
0930-16-16	1	25,4	16	1-11	38	36	31
0930-20-20	1,1/4	31,8	20	1,1/4-11	50	46	35
0930-24-24	1,1/2	38,1	24	1,1/2-11	55	50	28

0980S Ниппель 90° JIS 60° (Toyota) - сварной
(JIS-T 90°) 90° JIS Swept Elbow (Toyota) - welded


part number	hose I.D.		Dimension				
			dash size	thread	hex	drop	cut-off
	in	mm		T	E	H	
0980S04-04	1/4	6,4	04	1/4-19	19	35	38
0980S06-06	3/8	9,5	06	3/8-19	22	30	27
0980S08-08	1/2	12,7	08	1/2-14	27	39	33
0980S12-12	3/4	19	12	3/4-14	32	55	48
0980S16-16	1	25,4	16	1-11	38	62	57
0980S20-20	1,1/4	31,8	20	1,1/4-11	50	65	63
0980S24-24	1,1/2	38,1	24	1,1/2-11	55	83	80

1030S Ниппель 45° JIS 60° (Toyota) - сварной
(JIS-T 45) 45° JIS Swept Elbow (Toyota) - welded


part number	hose I.D.		Dimension				
			dash size	thread	hex	drop	cut-off
	in	mm		T	E	H	C
1030S04-04	1/4	6,4	04	1/4-19	19	18	44
1030S05-06	5/16	7,9	05	3/8-19	22	18	38
1030S06-06	3/8	9,5	06	3/8-19	22	18	38
1030S08-08	1/2	12,7	08	1/2-14	27	20	40
1030S12-12	3/4	19	12	3/4-14	32	26	56
1030S16-16	1	25,4	16	1-11	38	33	72
1030S20-20	1,1/4	31,8	20	1,1/4-11	50	29	67
1030S24-24	1,1/2	38,1	24	1,1/2-11	55	36	85