

# Modular control plates MOD 6

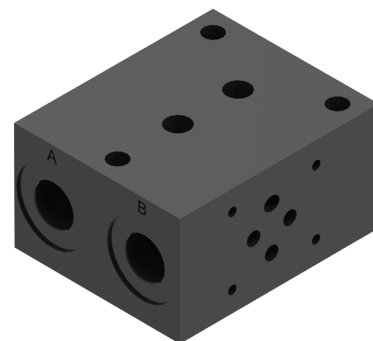
NS 6 |  $p_{max}$  35 MPa | WK 560 520



## DATA SHEET - OPERATION MANUAL

### APPLICATION

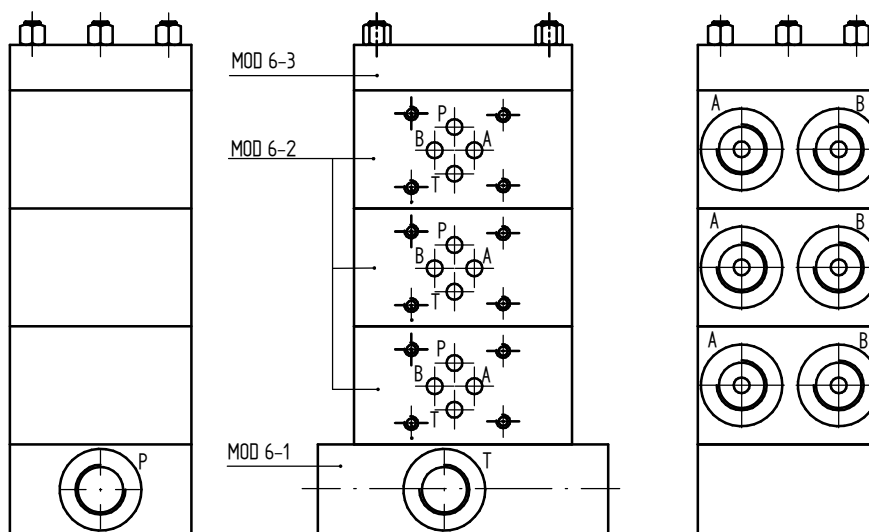
Modular control plates **MOD6** are used to construct hydraulic control system on the basis of hydraulic control equipment (directional control valves, valves etc.) with nominal size 6.



### DESCRIPTION OF OPERATION

Basic elements of modular control plates are: lower plate **MOD6-1**, central plate **MOD6-2** and upper plate **MOD6-3**. The plate **MOD6-1** (or **MOD6-1A**) is the basic element to which oil from the pump **P** is supplied and is also the element of which return oil from the system **T** is carried out. The plate **MOD6-2** is the basic element for directional control valve and other control equipment (sandwich plate valves) to be connected.

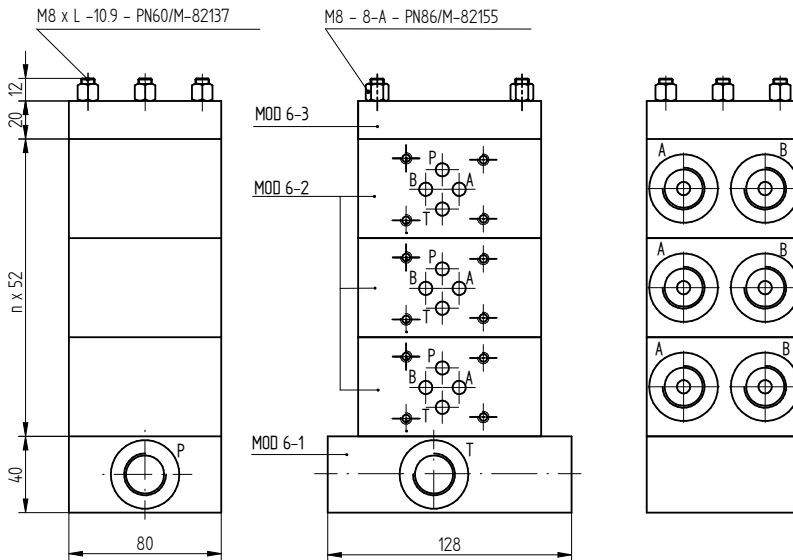
The extension of control system is possible when the number of modules is multiplied (maximum 6). The upper plate **MOD6-3** makes the control system closed and is also the base for mounting pressure gauge isolator valve **UOPF1**. The other plates of the system are supplementary elements when control system is extended.



Below hydraulic equipment manufactured by PONAR Wadowice that can be used for control systems to be mounted on the multi-station manifold block:

description	type	WK number		
directional spool valve, electrically operated	WE6	WK 499 502	pressure sequence valves, sandwich plate	UZKC6 WK 493 061
directional spool valve, hydraulically operated	WH6	WK 420 170	check valves, sandwich plate	WZZC6 WK 421 440
directional spool valve, hand lever operated	WMM6	WK 420 170	double check valves, pilot operated	ZZS6 WK 450 360
directional spool valve, rotary knob operated	WMD6	WK 420 170	throttle check valves	ZZFS6 WK 421 060
pressure reducing valves, sandwich plate	UZRC6	WK 493 060	pressure switches (with subplate UŁBC)	USPH4 WK 450 398
			pressure relief valves	UZPR6 WK 433 390

## OVERALL AND CONNECTION DIMENSIONS



ports	P	T	A	B
		G½	G½	G½

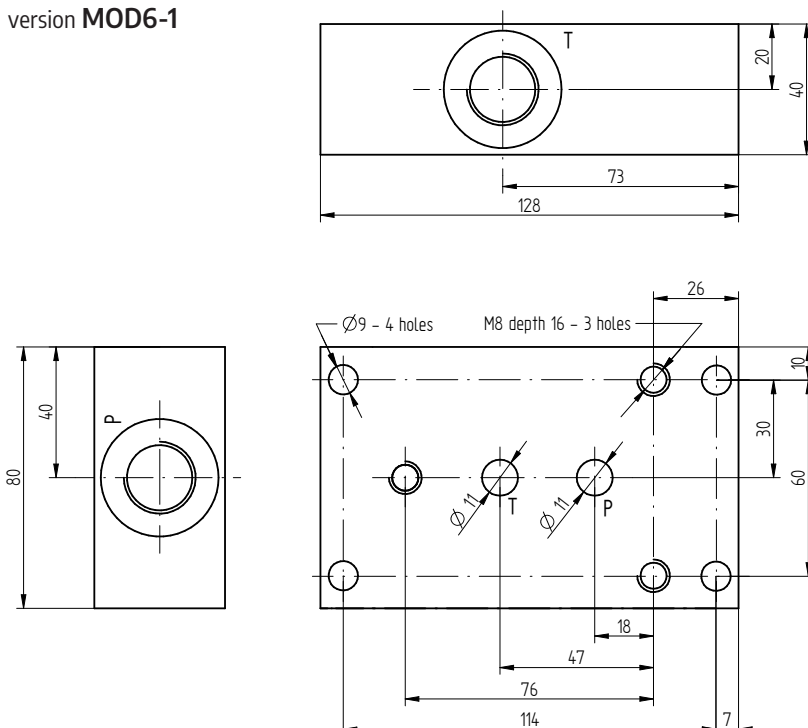
The plates are mounted using double-nutted screw **M8** and nuts. Basic data for the screws and nuts is given below.

screw acc. to PN60/M-82137	nut acc. to PN86/M-82155	pcs	number of modules
M8 x 100 - 10.9	M8 - 8-A	3	MOD6-1 + MOD6-2 + MOD6-3
M8 x 152 - 10.9	M8 - 8-A	3	MOD6-1 + 2MOD6-2 + MOD6-3
M8 x 205 - 10.9	M8 - 8-A	3	MOD6-1 + 3MOD6-2 + MOD6-3
M8 x 256 - 10.9	M8 - 8-A	3	MOD6-1 + 4MOD6-2 + MOD6-3
M8 x 310 - 10.9	M8 - 8-A	3	MOD6-1 + 5MOD6-2 + MOD6-3
M8 x 360 - 10.9	M8 - 8-A	3	MOD6-1 + 6MOD6-2 + MOD6-3

**NOTE:** Connecting screws and nuts are not included with the plates and must be ordered separately. Each plate is supplied with the sealing rings (dimensions are given with the plates description).

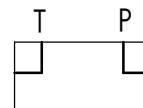
## OVERALL AND CONNECTION DIMENSIONS

version **MOD6-1**



ports	P	T
		G½
material for plate	45	

### HYDRAULIC DIAGRAMS

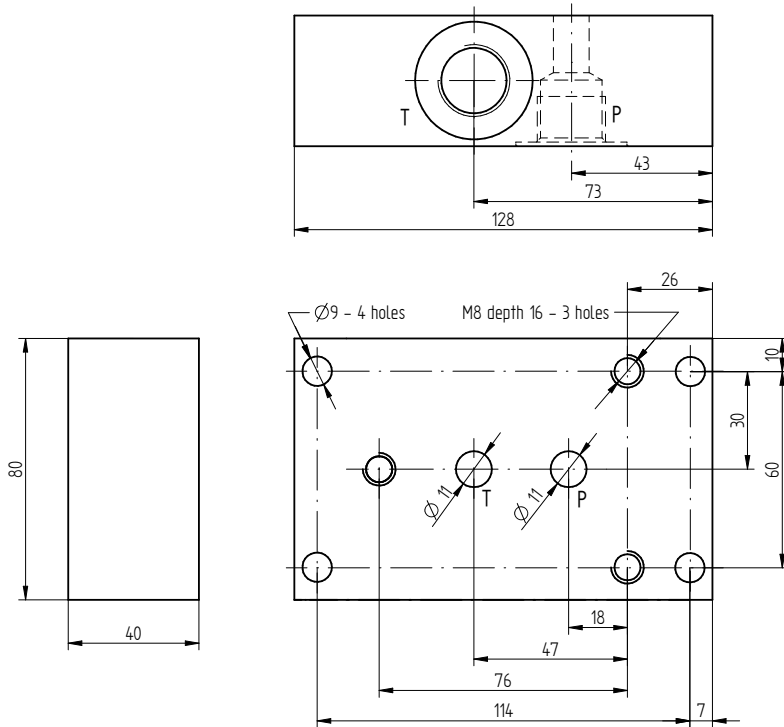


### HOW TO ORDER

Modular control plates must be ordered by:  
**MOD6-1**

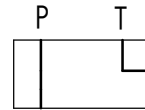
## OVERALL AND CONNECTION DIMENSIONS

version **MOD6-1A**



ports	P	T
	G $\frac{1}{2}$	G $\frac{1}{2}$
material for plate	45	

## HYDRAULIC DIAGRAMS

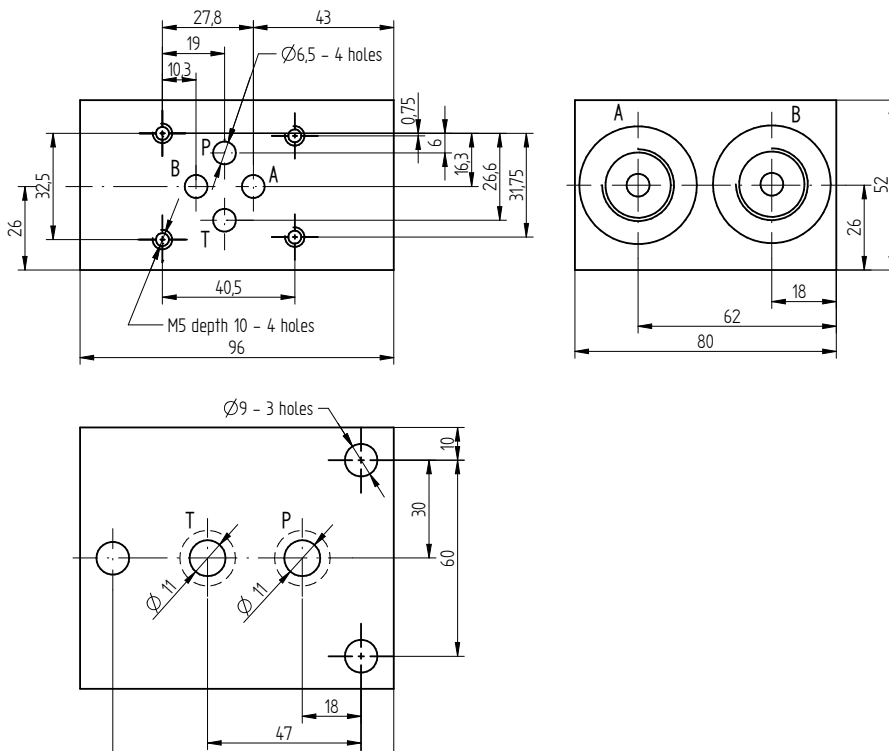


## HOW TO ORDER

Modular control plates must be ordered by:  
**MOD6-1A**

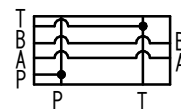
## OVERALL AND CONNECTION DIMENSIONS

version **MOD6-2**



ports	A	B
	G $\frac{1}{2}$	G $\frac{1}{2}$
material for plate	45	
o-ring	12,3 x 2,4 - 2 pcs	

## HYDRAULIC DIAGRAMS

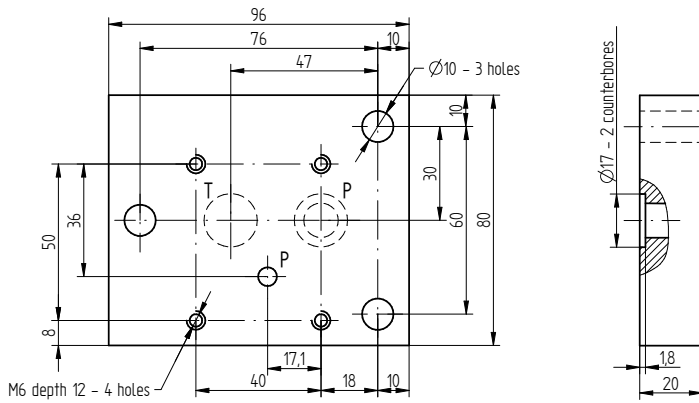


## HOW TO ORDER

Modular control plates must be ordered by:  
**MOD6-2**

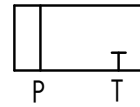
## OVERALL AND CONNECTION DIMENSIONS

version **MOD6-3**



material for plate	45
o-ring	12,3 x 2,4 - 2 pcs

## HYDRAULIC DIAGRAMS

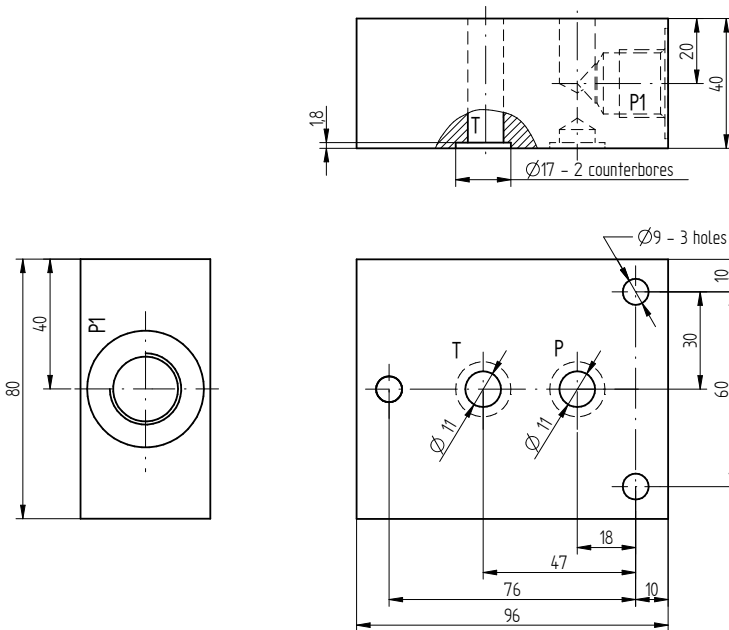


## HOW TO ORDER

Modular control plates must be ordered by:  
**MOD6-3**

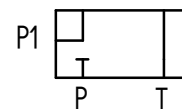
## OVERALL AND CONNECTION DIMENSIONS

version **MOD6-4**



ports	P1
	G½
material for plate	45
o-ring	12,3 x 2,4 - 2 pcs

## HYDRAULIC DIAGRAMS

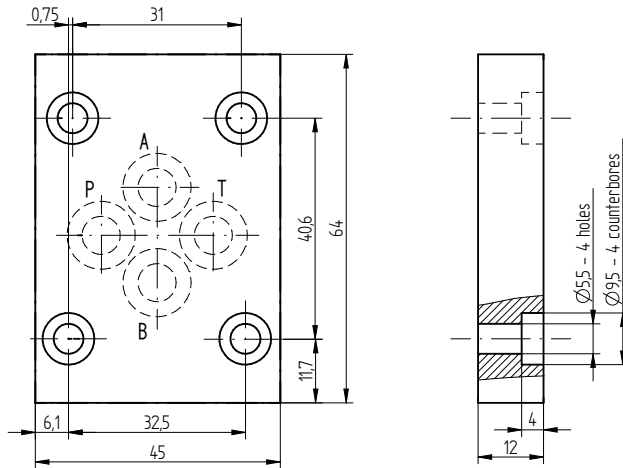


## HOW TO ORDER

Modular control plates must be ordered by:  
**MOD6-4**

## OVERALL AND CONNECTION DIMENSIONS

version **MOD6-5**



material for plate

45

o-ring

9,2 x 1,8 - 4 pcs

## HYDRAULIC DIAGRAMS

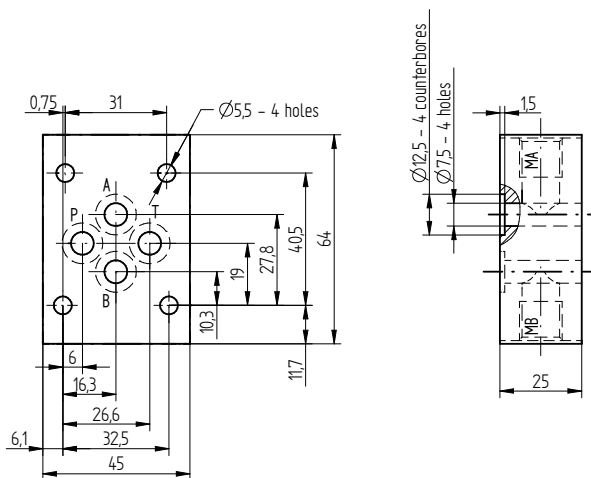


## HOW TO ORDER

Modular control plates must be ordered by:  
**MOD6-5**

## OVERALL AND CONNECTION DIMENSIONS

version **MOD6-6**



ports

MA

MB

G $\frac{1}{4}$

G $\frac{1}{4}$

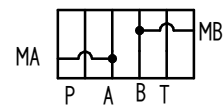
material for plate

45

o-ring

9,2 x 1,8 - 4 pcs

## HYDRAULIC DIAGRAMS



## HOW TO ORDER

Modular control plates must be ordered by:  
**MOD6-6**

## OVERALL AND CONNECTION DIMENSIONS

version **MOD6-9, MOD6-10, MOD6-11**

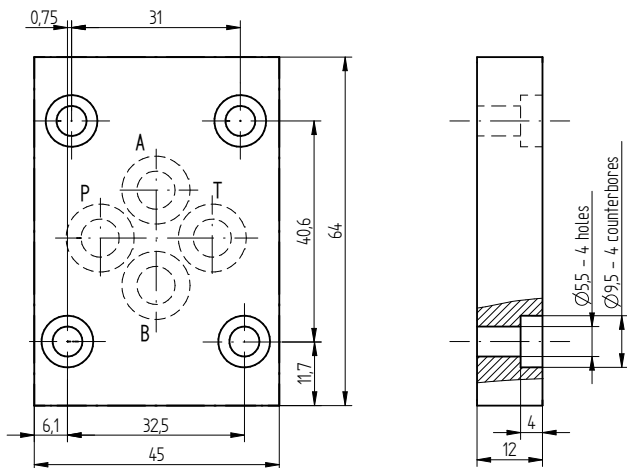
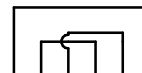


plate	MOD6-9	MOD6-10	MOD6-11
material for plate	45	45	45
o-ring	17 x 2 - 2 pcs	17 x 2 - 2 pcs	17 x 2 - 1 pcs 9,2 x 1,8 - 2 pcs

## HYDRAULIC DIAGRAMS



P A B T

plate MOD6-9



P A B T

plate MOD6-10



P A B T

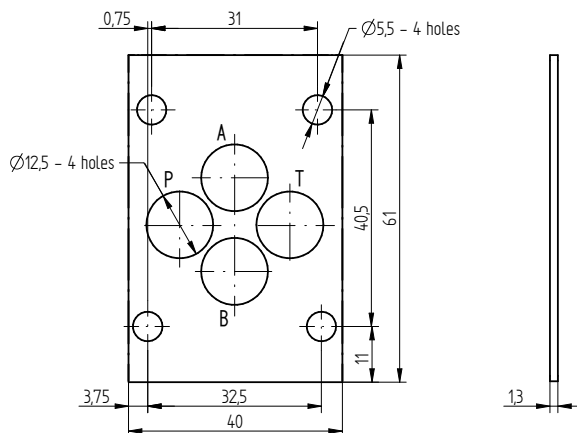
plate MOD6-11

## HOW TO ORDER

Modular control plates must be ordered by: **MOD6-9**

## OVERALL AND CONNECTION DIMENSIONS

version **MOD6-12**



material for plate	45
o-ring	9,2 x 1,8 - 4 pcs

**NOTE:** Plate MOD6-12 with the o-rings - 4 pcs allows to seal two flat (without counterbores) connections NS6

## HYDRAULIC DIAGRAMS



P A B T

## HOW TO ORDER

Modular control plates must be ordered by: **MOD6-12**

## CONTACT

PONAR Wadowice S.A.  
ul. Wojska Polskiego 29  
34-100 Wadowice

tel. +48 33 488 21 00  
www.ponar-wadowice.pl