

## M-19A

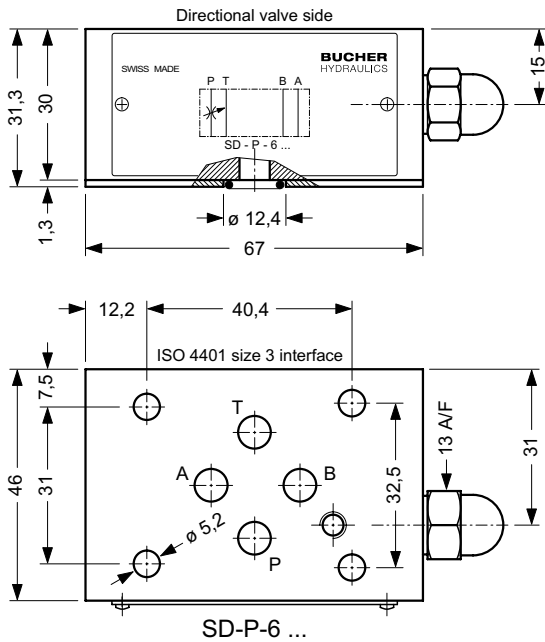
### Stacking Flow Regulation, 6 mm

Series SD ...

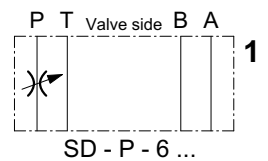
60 l/min, 315 bar

- Sliding-spool design
- Screwdriver adjustment
- Final OPEN/CLOSED positions determined by positive end-stops
- Mounting interface to ISO 4401  
CETOP RP35H size 3, NFPA D03, DIN 24 340 A6

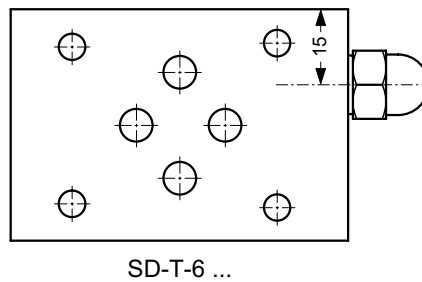
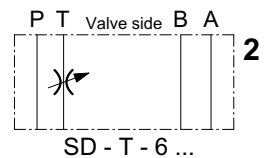
#### MASSBILD



#### SYMBOLS



Turning model SD-P.. upside down about its long axis produces the SD-T.. function and vice versa



#### DESCRIPTION

The valve throttles or completely stops flow for either direction.

To access the screwdriver adjustment,

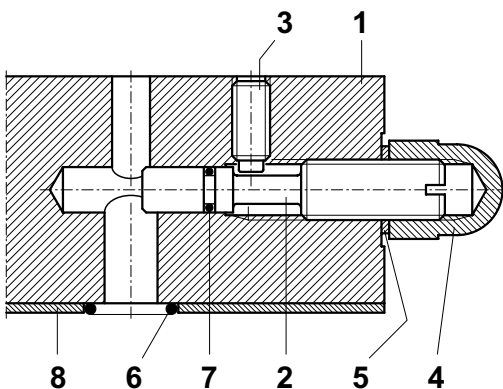
remove the dome nut item 7 (13 A/F).

Positive stops govern the end positions.

Sealing is by the use of a seal plate and 4 O-rings.

#### SCHEMATIC SECTION

showing the relevant ports



#### COMPONENTS / SERVICE PARTS

lt.	Qty.	Description	
1	1	Stacking body	30 x 46 x 67 type R-6
2	1	Throttling screw	M8 x 40
3	1	Grub screw	M5 x 12 DIN 915
4	1	Dome nut	M8 DIN 1587
	1	Seal kit no. DS-111, comprising *):	
5	1*)	Copper-ring	ø 8 / 11,5 x 1
6	4*)	O-ring no. 012	ø 9,25 x 1,78 N90
7	1*)	O-ring	ø 4 x 1 N90
8	1	Seal plate	46 x 67 x 1,3 type DB-6

TO ORDER SERVICE PARTS, STATE:

- complete unit model code from the nameplate including the design number
- data sheet number, including issue date
- part item number from above list
- part description from above list
- quantity required

## INSTALLATION AND SERVICING

MUST BE CARRIED OUT WITH CARE, AND BY QUALIFIED PERSONNEL ONLY. At installation, be sure to mount the valve

with the correct faces contacting the adjacent units and with all interface connections lining up properly.

When changing seals, the new seals should be thoroughly oiled or greased before they are fitted.

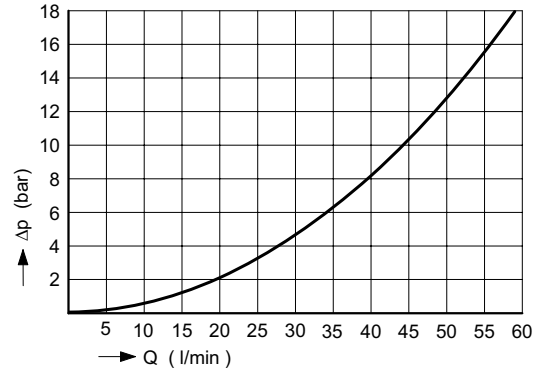
## MAIN CHARACTERISTICS

Type	Throttle valve
Design	variable gap
Mounting method	stack mounting
Size	ISO 4401 size 3 interface
Mass	0,80 kg
Mounting attitude	unrestricted
Flow direction	see symbols
Operating pressure	... 315 bar
Fluids	hydraulic oils HL and HLP to DIN 51 524 other fluids - contact BHFRU
Min. fluid cleanliness	18/14 to ISO 4406 / CETOP RP70H 8 ... 9 to NAS 1638
Fluid temperature range	-20°C ... +60°C
Viscosity range	10 ... 500 cSt
Flow rate Q max.	60 l/min

## PERFORMANCE DATA

Oil viscosity 33 cSt

$\Delta p$  - Q characteristics



## MODEL CODE KEY

- S = stacking valve
- D = throttle function
- P = function in P
- T = function in T
- 6 = ISO 4401 size 3 interface
- (blank) = nitrile seals (standard)
- V = viton seals
- for special seals - contact BHFRU
- 1 ... 9 = design number (omit when ordering new units)

e.g.

SD - P - 6 - - - 1

## RELATED DATA SHEETS

- i - 31 DIN 24 340 size A6 interface
- G - 40 Seal plate type DB-6