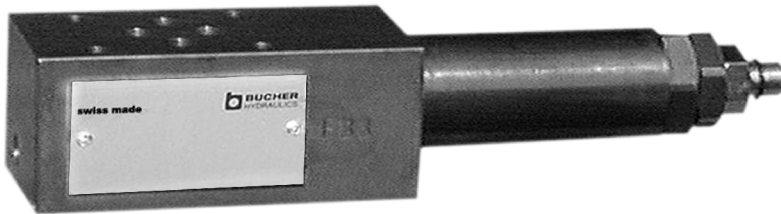


# Stacking Pressure Relief Valve, size 3 Direct Acting Seat Valve Design Series SDDB ...



- Pmax 350 bar / Qmax 80 l/min
- With direct acting, zero leakage, 10 mm pressure relief cartridge DDPB-1C-10 ...
- 350 bar, 80 l/min on all ports
- with ISO 4401 / CETOP R35H size 3, NFPA D03, DIN 24 340 A6 interface

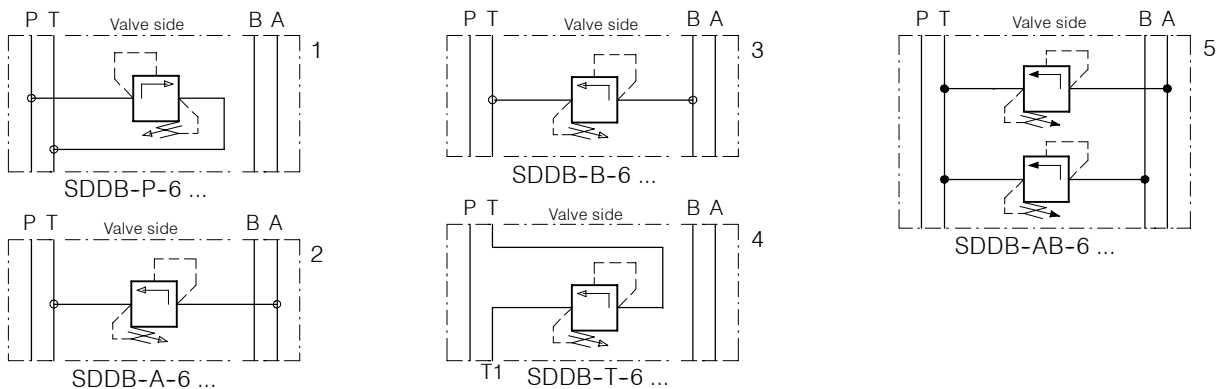
## 1. Description

Series SDDB ...-6 stack valves are used for independent pressure relief in the P-, A-, B-, T- or A- and B-lines. They are equipped with the direct acting pressure relief cartridge type DDPB-1C-10... The valves close with

virtually zero leakage and thanks to their fast response they are particularly suitable for pressure relief duties in supply lines, for cross-line relief duties in service lines and for preload functions. The screw-in design of the car-

tridge valve provides for straight-forward, trouble-free maintenance. Interface sealing is by means of O-rings which are retained in counterbores in the valve body.

## 2. Symbols



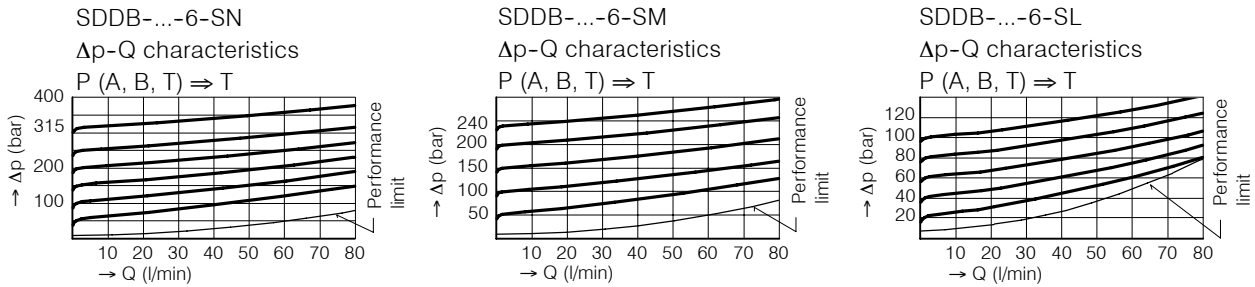
## 3. Characteristics

Type		stacking pressure relief valve
Design		direct acting, seat type
Mounting method		stack mounting
Size		ISO 4401 size 3 interface
Mass	kg	SDDB-P / -A / -B / -T-6 = 1,50 SDDB-AB-6 = 2,40
Mounting attitude		unrestricted
Flow direction		see symbols
Operating pressure	bar	... 350 in P, A, B and T
Pressure adjustment range	bar	pressure range N = 180 ... 350 pressure range M = 080 ... 240 pressure range L = 010 ... 100
Flow rate Qmax	l/min	80 , see performance limits

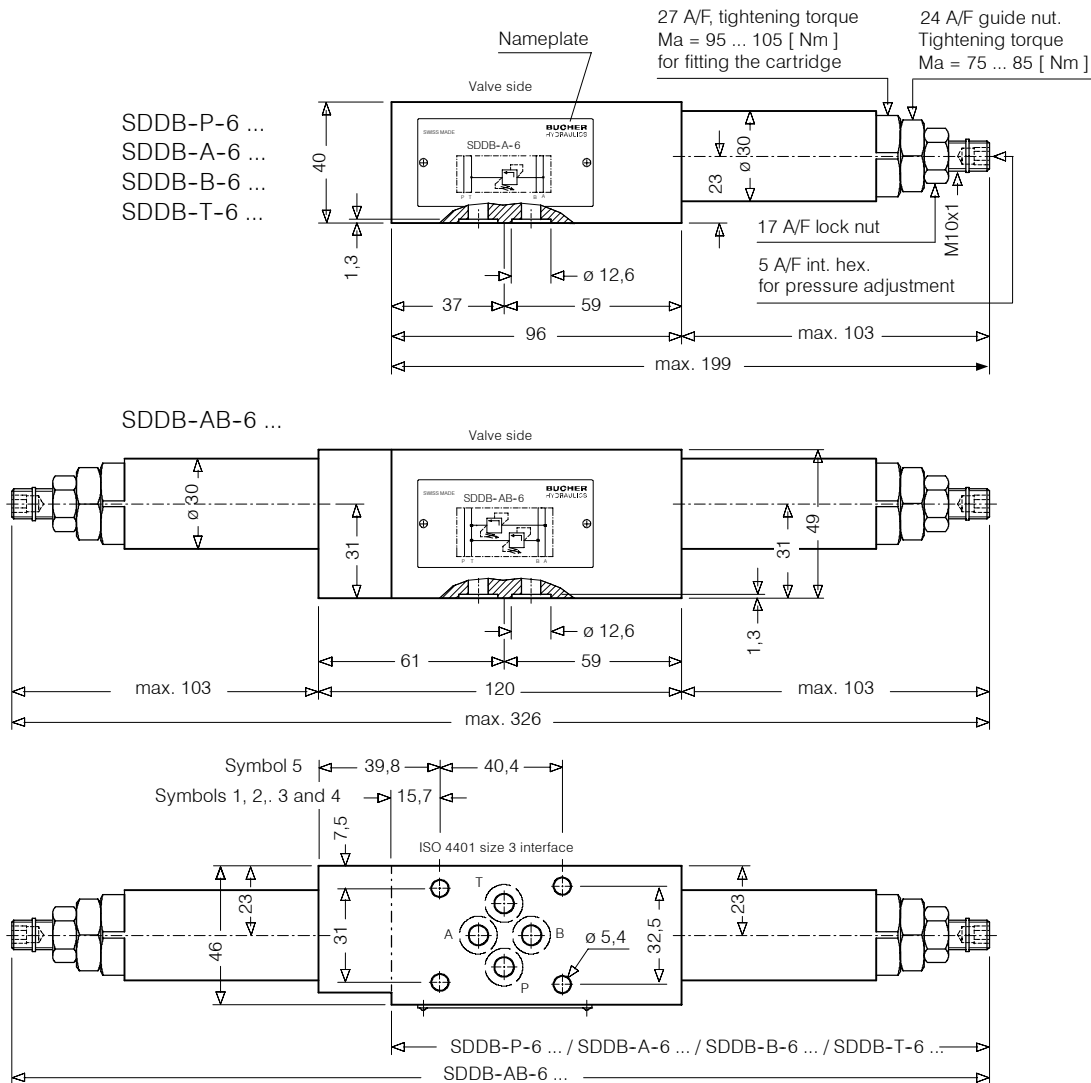
Fluids		Hydraulic oils HL and HLP to DIN 51 524 other fluids - contact BUCHER
Fluid temperature range & ambient temp.	°C	-25 ... +80
Viscosity range	cSt	10 ... 650, recommended: 15 ... 250
Minimum fluid cleanliness		18/14 to ISO 4406 /CETOP RP70H 8 ... 9 to NAS 1638

## 4. Performance characteristics

Oil viscosity 33 cSt



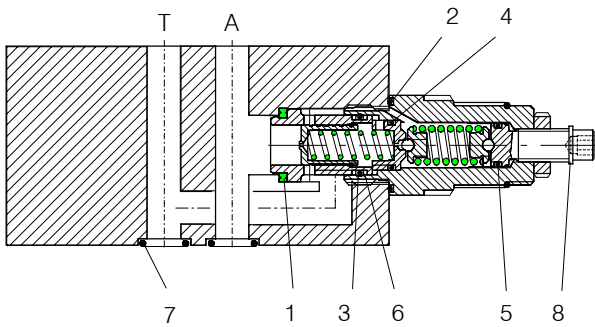
## 5. Dimensions



## 6. Schematic section

showing the relevant ports

Ex. SDVB-A-6



Seat kit no. DS-257, comprising \*):

Itm.	Qty.	Qty.	Description	Size
1	1	2*)	Seal	∅ 22,1 / 16,1 x 2,5
2	1	2*)	O-ring no. 021	∅ 23,52 x 1,78 N90
3	1	2*)	O-ring no. 017	∅ 17,17 x 1,78 N90
4	1	2*)	O-ring no. 011	∅ 7,65 x 1,78 N90
5	1	2*)	Backup ring	∅ 6,1 x 1,45 x 1,4
6	4	4*)	O-ring no. 012	∅ 9,25x1,78 N90
7	1	2*)	Snap ring	∅ 9 Type SS

SDDB-AB-6 ...  
SDDB-T/-B/-A/-P-6 ...

## 7. Installation and servicing

All installation and servicing must be carried out with care, and by qualified personnel only. At installation, be sure to mount the valve with the correct

faces contacting the adjacent units and with all interface connections lining up properly. Use the specified tightening torque when fitting the cartridge

and guide nut. When changing seals, the new seals should be thoroughly oiled or greased before they are fitted.

## 8. Model code key

Ex. S D D B - A - 6 - S N \_

- S = stacking valve
- D = pressure function
- D = direct acting
- A ... Q = standard model per current data sheet
- Z ... R = special features by arrangement
- P = function from P to T
- A = function from A to T
- B = function from B to T
- T = function from T to T1
- AB = function from A and B to T
- 6 = ISO 4401 size 3 interface
- S = with hex. skt. screw adjuster
- N = pressure range 180 ... 350 bar
- M = pressure range 80 ... 240 bar
- L = pressure range 10 ... 100 bar
- (blank) = Nitrile seals (standard)
- V = Viton seals
- Special seals by arrangement

## 9. Related data sheets

Old no.	New no.	
i-00	400-P-010101-E	Table of interface equivalents
i-31	400-P-030501-E	DIN 24 340 size A6 interface
D-3.31	400-P-270101-E	Direct acting pressure relief cartridge, 10 mm, series DDPB-1C-10 ...

[info.ch@bucherhydraulics.com](mailto:info.ch@bucherhydraulics.com)

[www.bucherhydraulics.com](http://www.bucherhydraulics.com)

© 2015 by Bucher Hydraulics AG Frutigen, CH-3714 Frutigen

All rights reserved.

Data is provided for the purpose of product description only, and must not be construed as warranted characteristics in the legal sense. The information does not relieve users from the duty of conducting their own evaluations and tests. Because the products are subject to continual improvement, we reserve the right to amend the product specifications contained in this catalogue.