

## Product Tech News

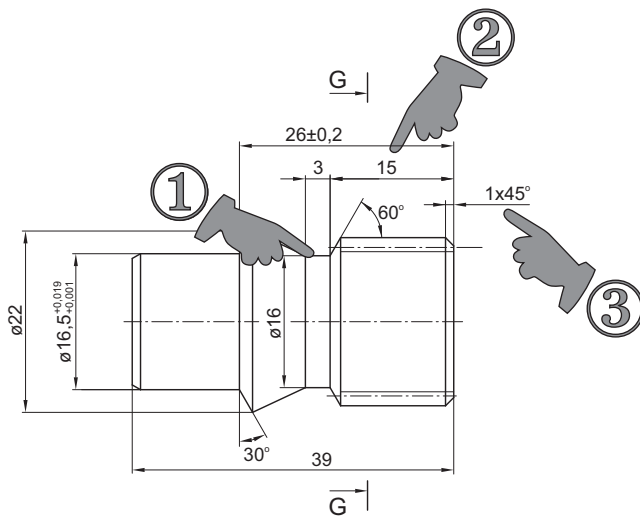
# Shaft End

### INTRODUCTION

M+S Hydraulic introduces new type of shaft end, designed for installing on the steering columns which we produce. This shaft end can be submitted as a spare part to our customers who manufacture their own steering columns or other attachments.

The new shaft end is made completely by cold forging process and the mechanical treatment is reduced to grinding the neck with  $\varnothing 16,5\text{mm}$ .

### Shaft End Part      Order No: 46415 001 00 (OLD)



Involute Spline Data		
Modul	m	1,5875
Number of Teeth	z	12
Pressure Angle	$\alpha$	30°
Diametral Pitch	DP	16/32

### Shaft End Part K      Order No: 46415 015 00 (NEW)

