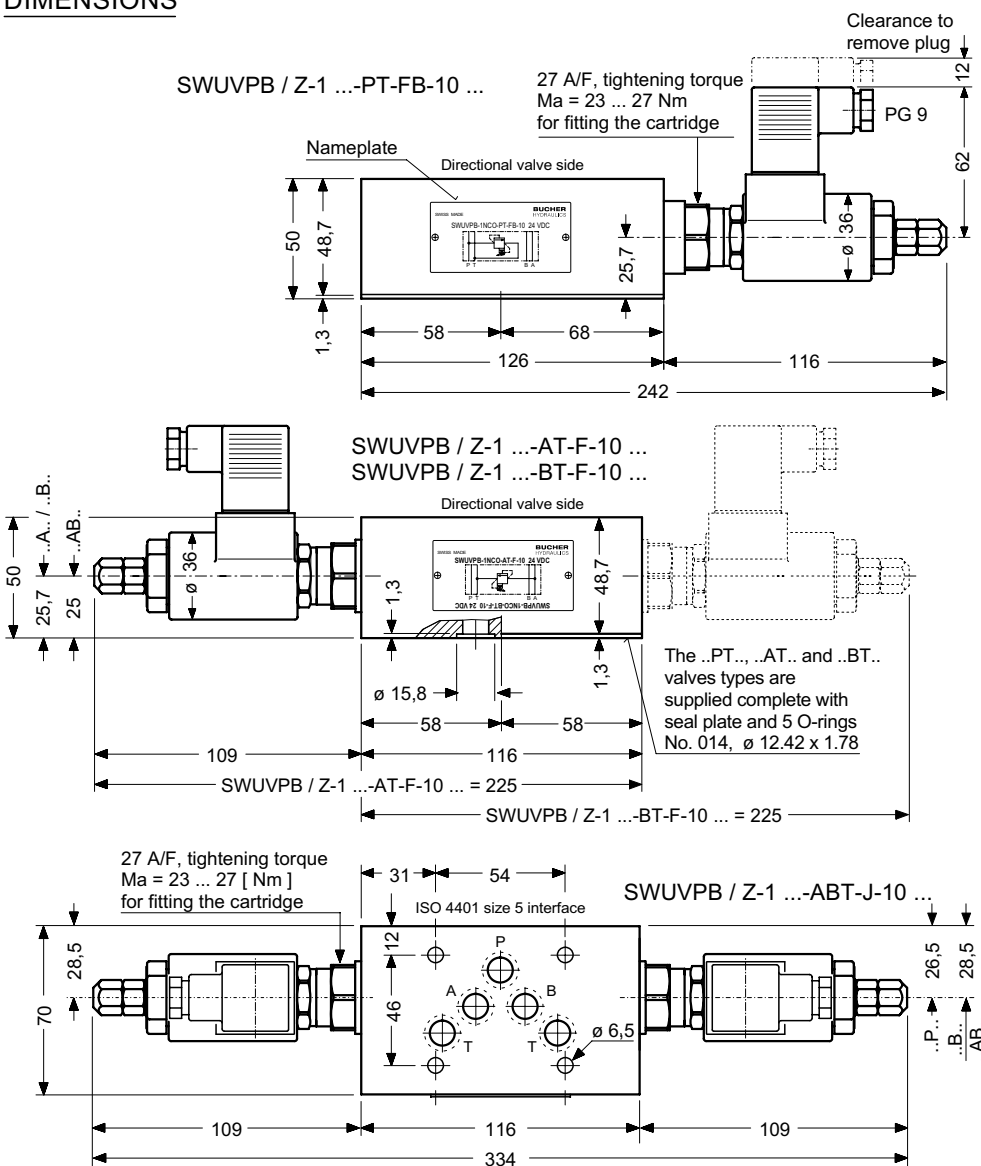


D-11.50 a

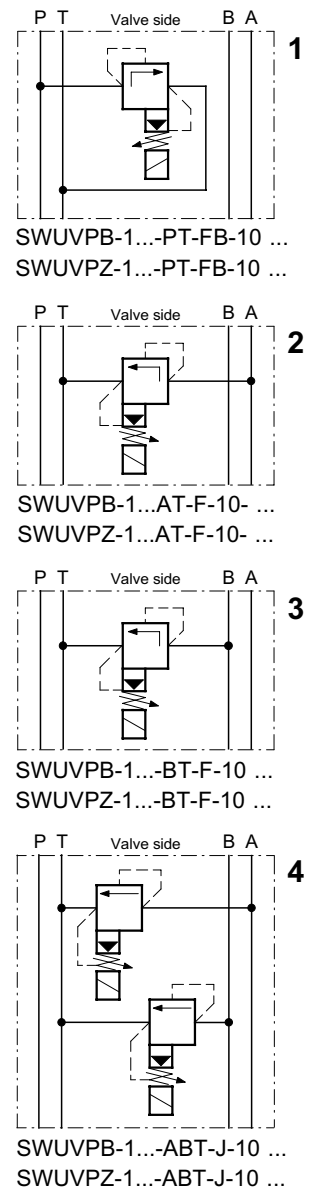
Stacking Pressure Relief Valve, size 5
Solenoid Controlled
Seated Pilot, Sliding Spool Main Stage
Series SWUVPB-1 ... / SWUVPZ-1 ...
140 l/min, 315 bar

- With 2-stage, solenoid controlled 10 mm pressure relief cartridge type WUVPB-1-10 ... (see sheet D-6.31) for very low Δp type WUVPZ-1-10 ... (see sheet D-6.31) for 2 pressures (High / Low)
- All ports rated for 140 l/min at 315 bar
- Coil rotatable 360°
- Corrosion protection: stacking body zinc phosphated, cartridge A3C
- ISO 4401 / CETOP R35H size 05, NFPA D05, DIN 24 340 A10

DIMENSIONS



SYMBOLS



In valve types
SWUVPB / Z-1 ...-ABT-J-10 ...,
the stacking body is provided
with counterbores for
the 5 x No. 14 O-rings
(i.e. no seal plate).
Height of body = 50 mm

DESCRIPTION

Series WUVPB-1..-10.. / WUVPZ-1..-10.. stack mounting valves are used to provide independent pressure relief in the P- A- or B-line, or the A- and B-lines.

They are equipped with the series WUVPB-1-10 ... or WUVPZ-1-10 ... solenoid controlled pressure relief cartridge valves, detailed in data sheet D-

6.31 and this ensures straightforward very user-friendly maintenance.

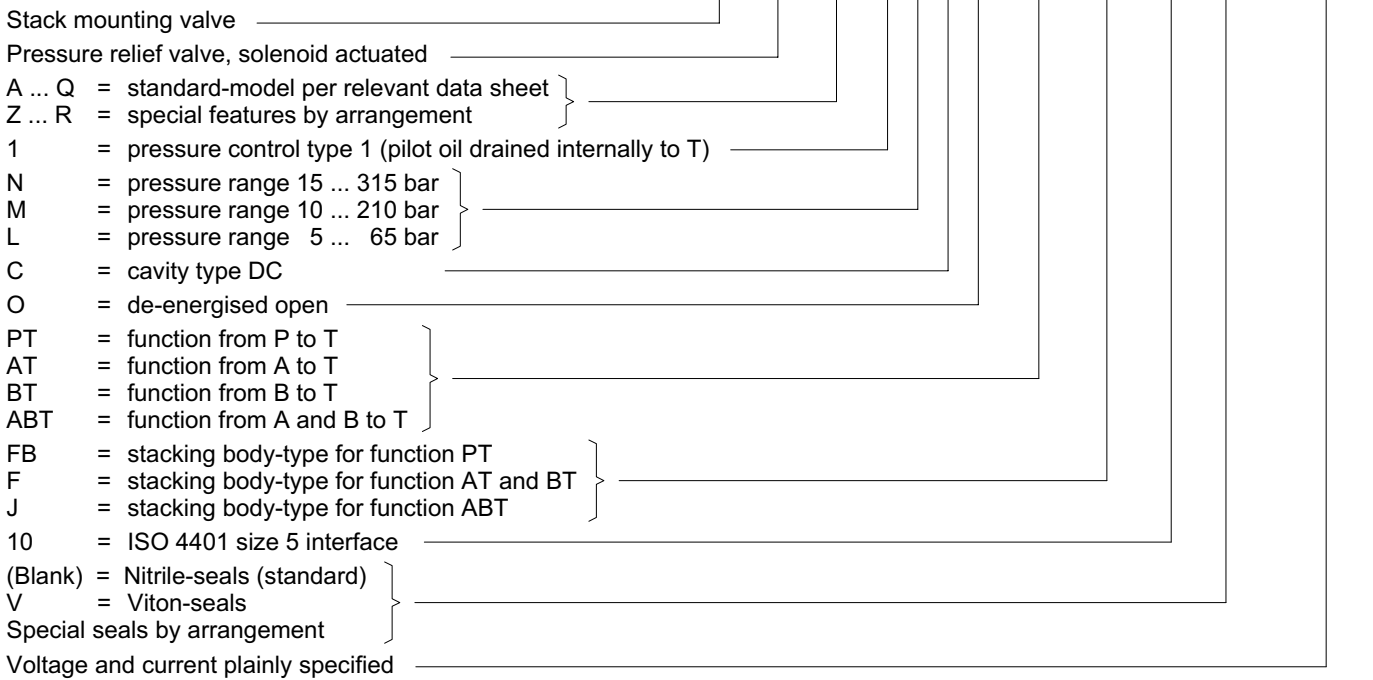
When the valve is closed, the connection to tank is shut off by the main spool (for leakage rates, see performance data in sheet D-6.31).

Turning valve type SWUVPB/Z-1..AT-F-10 ... upside down about its short axis produces the SWUVPB/Z-1..BT-F-10 ...

function and vice versa. The side-mounted nameplate shows the correct orientation for the required function.

Interface sealing on the ..PT.. / ..AT.. / ..BT.. models is by means of a seal plate with 5 O-rings while on the ..ABT.. model it is achieved by means of O-rings that are fitted in counterbores in the stacking body (i.e. no seal plate).

MODEL CODE KEY



RELATED DATA SHEETS

Old no.	New no.	
i - 00	400-P-010'101-D-00	Table of interfaces equivalent
i - 41	400-P-050'101-D-00	ISO 4401 size 5 interface
W - 2.141	400-P-120'110-D-00	Coils for solenoid operated cartridge valves
D-6.31	400-P-290'101-D-00	Pressure relief cartridge, 10 mm, type WUVPB ...