

D - 8.50 a

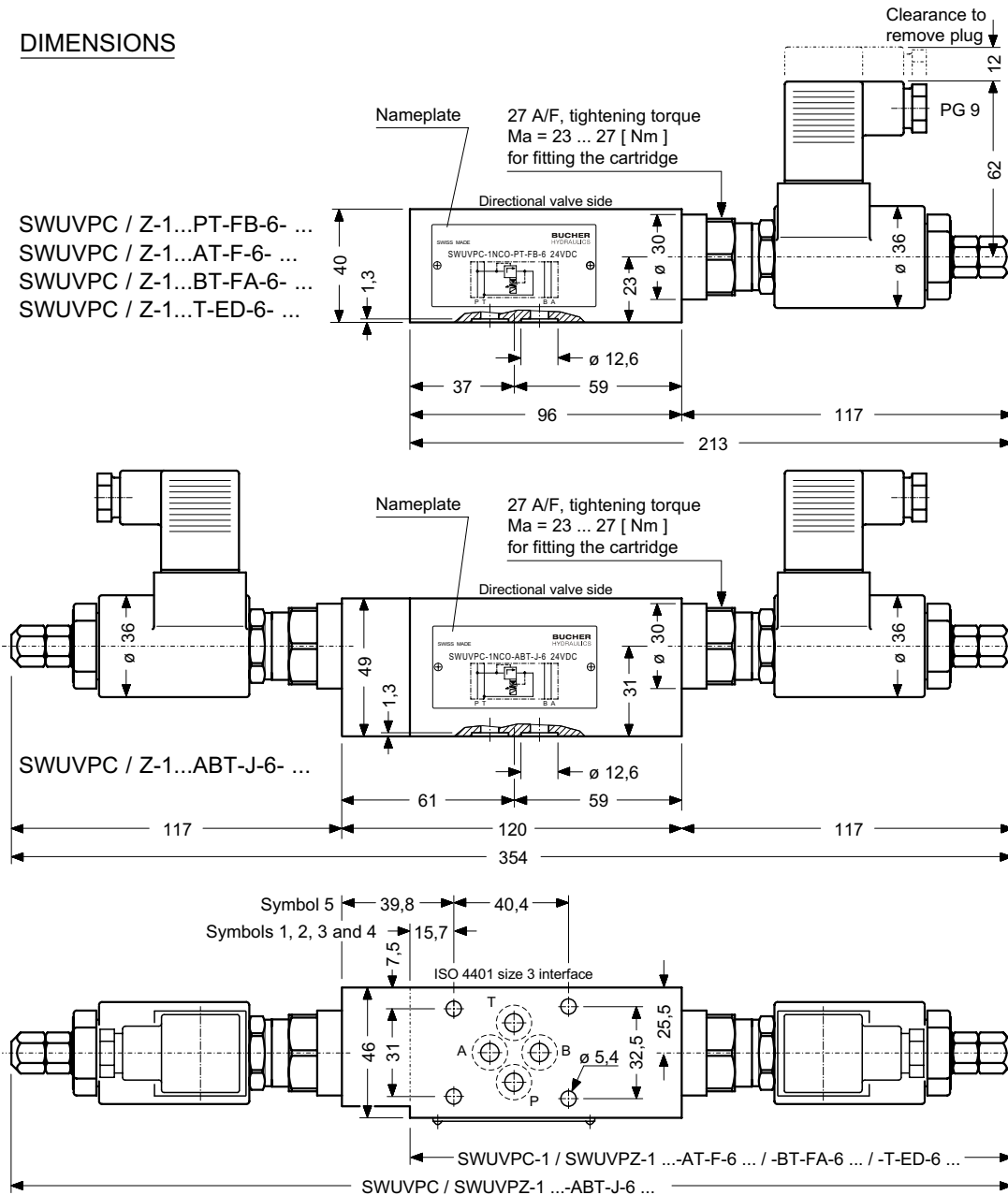
Stacking Pressure Relief Valve, size 3 Solenoid Contolled, Seated Pilot Stage Sliding Spool Main Stage

Series SWUVPC-1 ... / SWUVPZ-1 ...

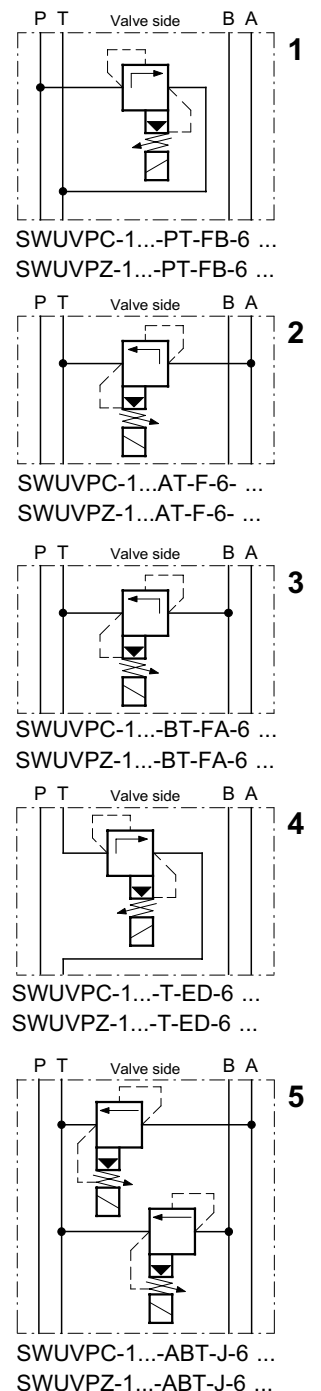
80 l/min, 315 bar

- With 2-stage, solenoid controlled 10 mm pressure relief cartridge type WUVPB-1-10 ... (see sheet D-6.31) for very low Δp type WUVPZ-1-10 ... (see sheet D-6.31) for 2 pressures (High / Low)
- All ports rated for 80 l/min at 315 bar
- Coil rotatable 360°
- Corrosion protection: stacking body zinc phosphated, cartridge A3C
- ISO 4401 / CETOP R35H size 03, NFPA D03, DIN 24 340 A6

DIMENSIONS



SYMBOLS



DESCRIPTION

Series SWUVPC-1...-6../SWUVPZ-1...-6.. stack mounting valves are used to provide independent pressure relief in the P-, A-, B- or T-line, or the A- and B-lines.

They are equipped with the series

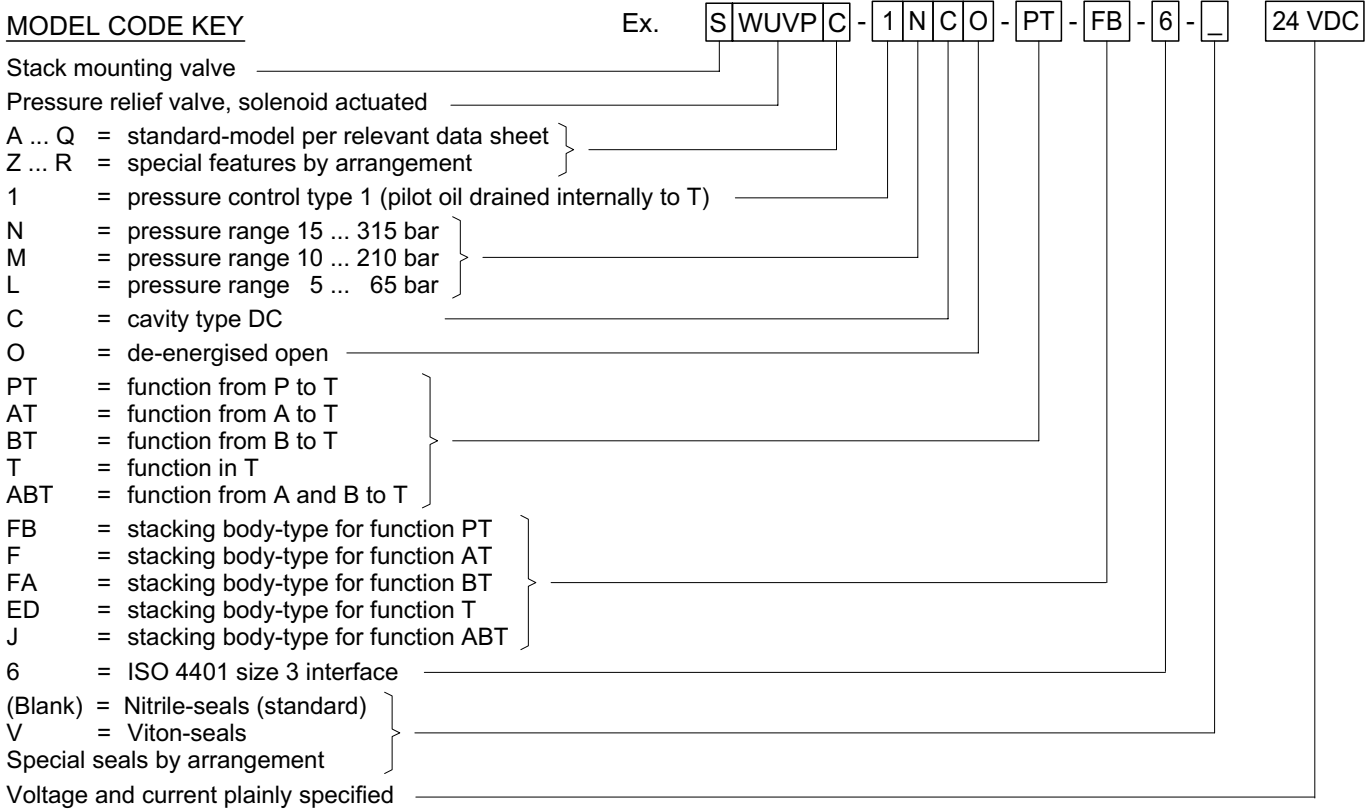
WUVPB-1-10 ... or WUVPZ-1-10 ... solenoid controlled pressure relief cartridge valves, detailed in data sheet D-6.31 and this ensures straightforward, very user-friendly maintenance.

When the valve is closed, the connection

to tank is shut off by the main spool (for leakage rates, see performance data in sheet D-6.31).

Interface sealing is by means of O-rings that are fitted in counterbores in the stacking body.

MODEL CODE KEY



RELATED DATA SHEETS

Old no.	New no.	
i - 00	400-P-010'101-D-00	Table of interfaces equivalent
i - 31	400-P-030'501-D-00	DIN 24 340 size A6 interface
W - 2.141	400-P-120'110-D-00	Coils for solenoid actuated cartridge valves
D - 6.31	400-P-290'101-D-00	Pressure relief cartridge, 10 mm, type WUVPB ...