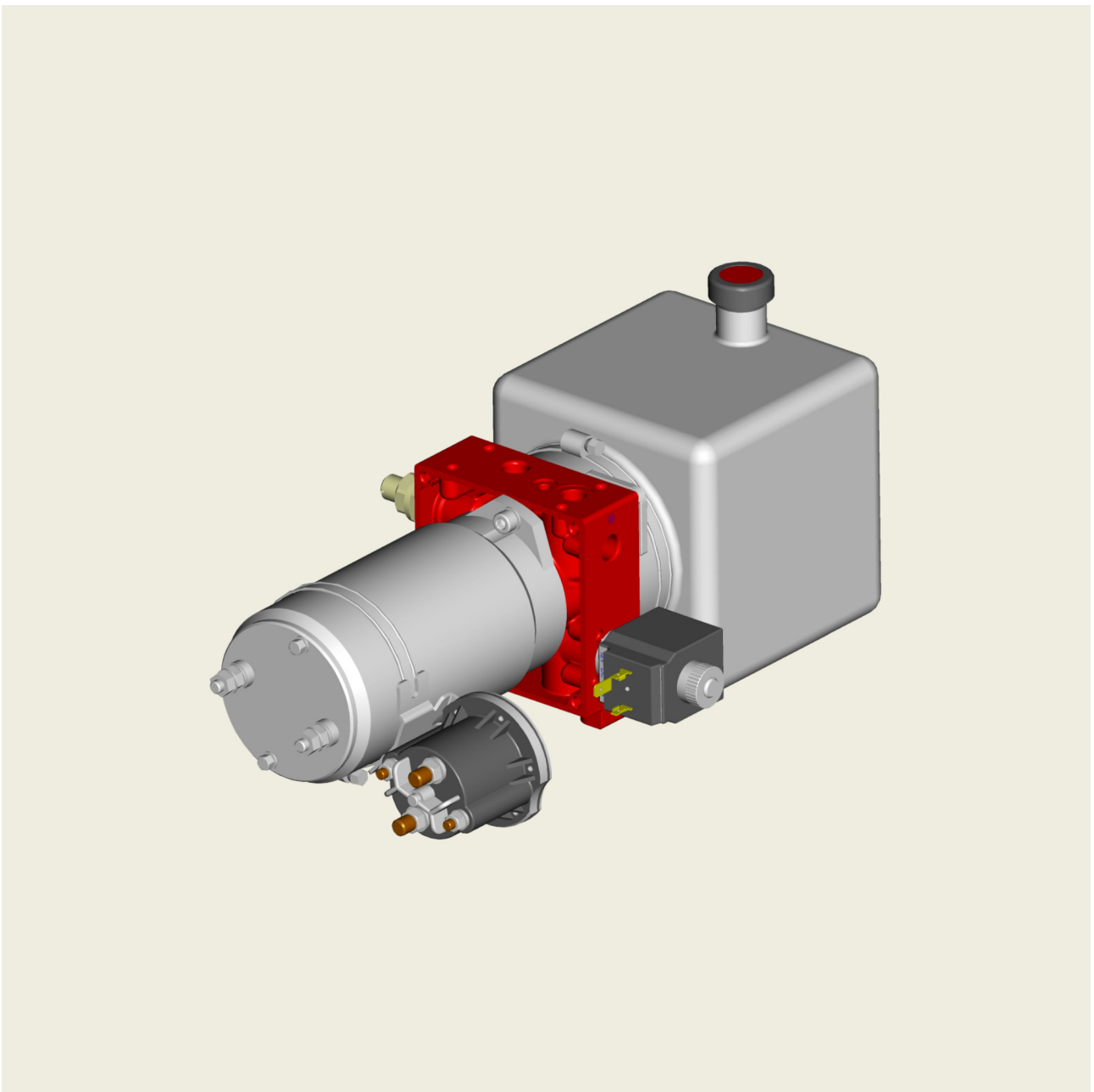


## Hydraulic Units UP50



### Contents

Page

<b>1</b>	<b>Power pack housing</b> .....	<b>7</b>
1.1	Technical information .....	7
1.2	Housing UP50 K03-K34 (P and T connections) Machined for flanged manifolds .....	8
1.3	Housing UP50: K17-K04-K41-K42-K46 (threaded ports) .....	10
1.4	Housing UP50K50-K52 (Reversible circuit) with threaded ports .....	13
1.5	Preassembled housing .....	14
<b>2</b>	<b>Gear pumps</b> .....	<b>15</b>
2.1	Technical information .....	15
2.2	Gear pumps AP05/** S409 - Counterclockwise rotation .....	17
2.3	Gear pumps APR05/** -339F - Reversible .....	18
<b>3</b>	<b>Tanks</b> .....	<b>19</b>
3.1	Plastic tanks .....	19
3.2	Steel tanks .....	21
3.3	Fitment and fixing positions .....	22
<b>4</b>	<b>Suction/return assembly kits</b> .....	<b>26</b>
4.1	Suction assembly kits for plastic tanks horizontal positions for standard AP05/***-S409 Ø14 .....	26
4.2	Suction assembly kits for steel tanks horizontal positions for standard AP05/***-S409 Ø14 .....	26
4.3	Suction assembly kits for plastic tanks vertical positions for standard AP05/***-S409 Ø14 .....	26
4.4	Suction assembly kits for steel tanks vertical positions for standard AP05/***-S409 Ø14 .....	27
4.5	Suction assembly kits - Reversible version .....	27
<b>5</b>	<b>Electric motors</b> .....	<b>28</b>
5.1	D.C. Electric motors .....	28
5.2	A.C. Motors .....	42
<b>6</b>	<b>Drives</b> .....	<b>45</b>
6.1	Introduction .....	45
6.2	Materials .....	45
6.3	Drives for D.C. motors .....	46
6.4	Drives for A.C. motors .....	46
6.5	Motor flanges .....	47
6.6	Couplings .....	47
<b>7</b>	<b>Cartridge valves</b> .....	<b>48</b>
7.1	Introduction .....	48

7.2	Pressure relief valves .....	51
7.3	Solenoid operated directional valves .....	52
7.4	Mechanical valves .....	61
7.5	Manual lowering valve .....	62
7.6	Emergency hand pump: PM817/1.5 .....	68
7.7	Valve cavity plugs .....	69
<hr/>		
<b>8</b>	<b>Manifolds .....</b>	<b>70</b>
8.1	Technical information .....	70
8.2	Manifold for parallel circuit .....	70
8.3	Manifold for series circuit .....	72
<hr/>		
<b>9</b>	<b>Solenoid valves dedicated to section 8 Manifolds .....</b>	<b>74</b>
9.1	Example of hydraulic power pack ordering code .....	75

## General specifications

Experience acquired in designing mini power packs, and a research effort aimed constantly at satisfying the technical specifications of our customers: these assets have provided the principal resource for development of the UP50 power packs:

- maximum flexibility, allowing the assembly of a great number of different circuits from just 9 basic versions;
- economy of the manufactured product, gained by adopting innovative technologies and by standardizing valve cavities with those of the major hydraulic components manufacturers;
- the assurance of constant quality, thanks to comprehensive control on materials and production cycles;
- compact dimensions achieved through detailed analysis of the geometries involved, and the components used.

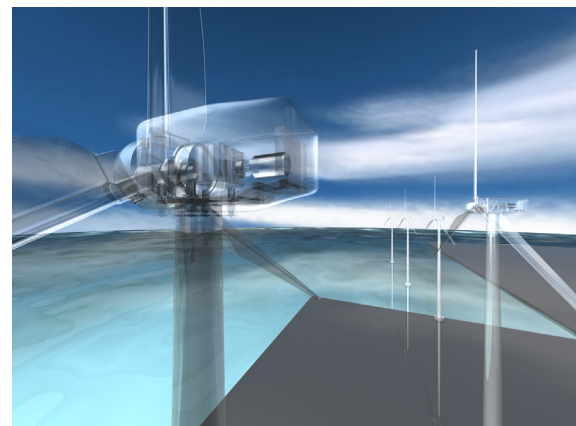
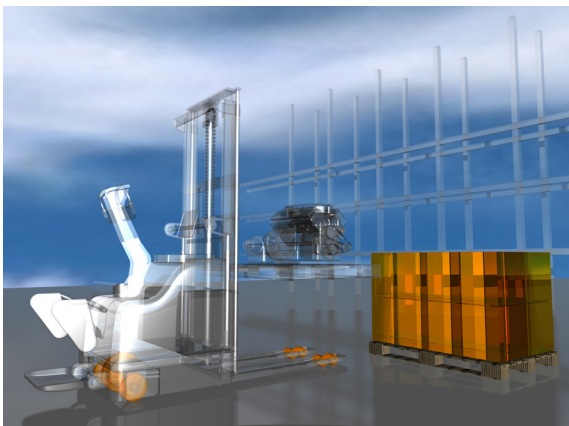
Illustrated are some of the various typical applications for UP50 hydraulic power packs.

Power packs are widely utilized in the field of industrial materials handling machines. Lift trucks is a good example, where the compactness of the unit is a particular advantage in view of the limited space available.

The need for fluid power in mobile machines means that power packs can be exploited in the widest variety of applications: lift platforms, and equipment for handling high and bulky loads in general.

Given the facility of integrating power packs with valve blocks designed and constructed to selected functional and dimensional specifications, special circuits can be customized for automation of the most complex machines.

There are also countless applications for industrial machines and stationary equipment in general where the attributes of the power pack are instrumental in simplifying the hydraulic system, bringing significant saving on installation and running cost.





## WARNING!

Bucher Hydraulics is not responsible for misuse or mis-application of product. Pressure values, type and number of cycles have to be considered before choosing the type of product. For any question about applications, please contact Bucher Hydraulics.

All the installation and maintenance operations of partially completed machinery must be made by technically competent personnel.

The hydraulic power units due to its construction does not perform the function of the safety component. So the user must insert safety components into the machine to protect against the possibility of breakage during operation.

The hydraulic power units can not function independently and are designed to be integrated into hydraulic systems.

Fluids should be contained and disposed of properly.

Prior to performing any maintenance make sure the equipment is turned off and that any stored energy, for example pressure, is released. Also, extended equipment or cylinders should be lowered and mechanically locked as required.

During the handling of the hydraulics power units, do not lift the unit by the tank or valves mounted on it (see the figure 1, the arrows indicate the points to lift). Always wear appropriate safety gloves and footwear.

Always wear eyes protection and protective clothing when working on and around hydraulic systems.

Remove jewellery and objects that might conduct electricity while working on power units.

Hydraulic fluid does pose a fire hazard, can cause burning or skin irritation if not properly handled.

Fluid under pressure can pierce the skin and enter the bloodstream causing death or serious injury.

Devices being operated by the hydraulic system should be immobilized so they cannot move and cause injury while being inspected or repaired. Disconnect from electrical source.

The above warnings are to be adhered to in order to reduce the risks resulting from the normal usage of the hydraulic power units for the safety and health of the users.

The product you have purchased is guaranteed for a period according to existing regulations.

The warrant you will be void if the product has been installed or used in a manner not in accordance with our instructions, or if it was tampered with, modified, subjected to usage outside those prescribed.

Fig. 1



## Directives and standards



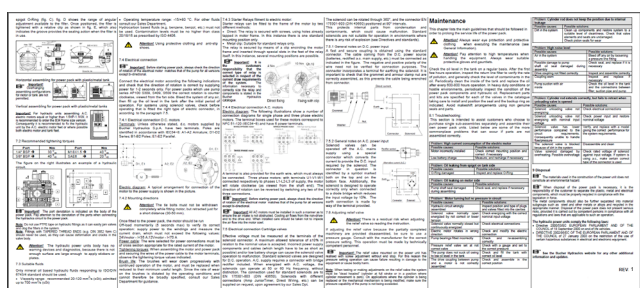
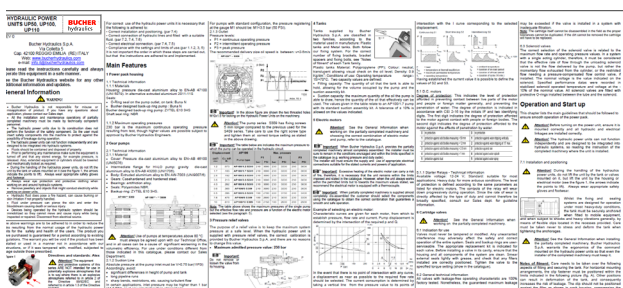
### ATTENTION!:

The equipment and protective systems of these catalogue ARE NOT intended for use in potentially explosive atmospheres that is to say where there is an explosive atmosphere referred to in Article 2 of the Directive 99/92/EC and referred to Article 1.3 of the Directive 94/9/EC.

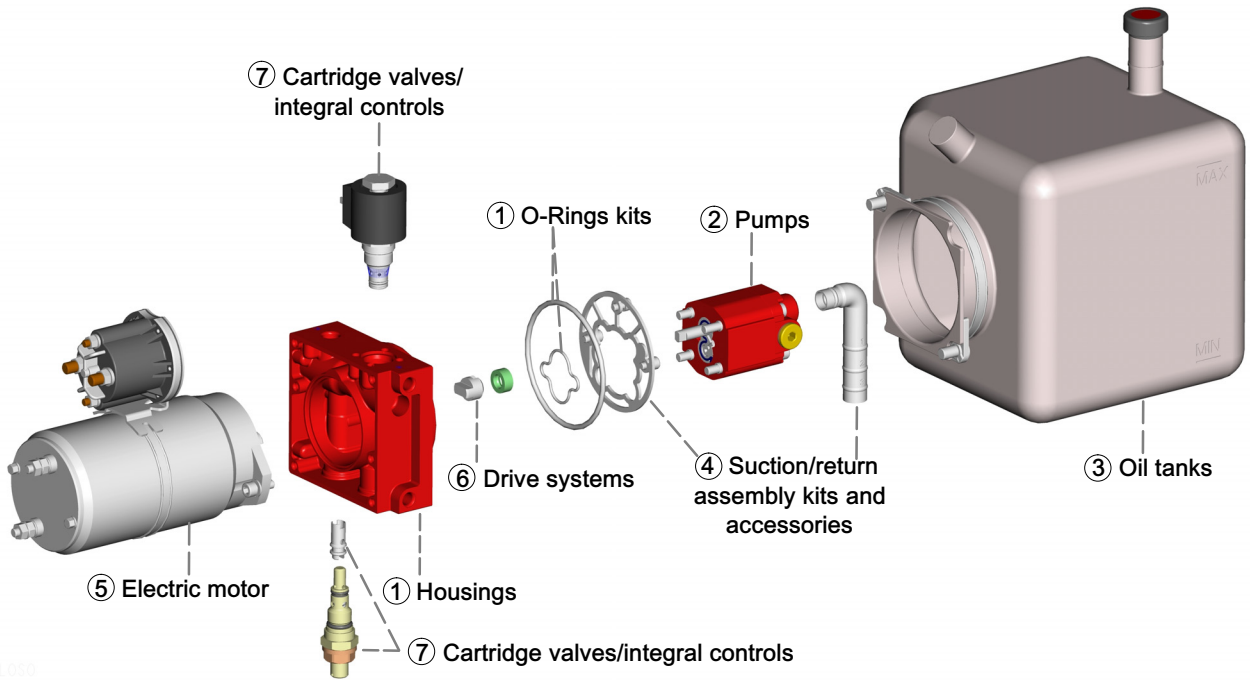
- ISO 9001:2008 / ISO 14001:2004

Bucher Hydraulics S.p.A. is certified for research, development and production of directional control valves, power units, gear pumps and motors, electro pumps, cartridge valves and integrated operating blocks for hydraulic applications.

Further information are available in the dedicated documentation according to the Machinery Directive 2006/42/CE



## Sub-assembly index



### Sub-assemblies making up UP50 power pack

This page serves both as a guide to the contents of the catalogue and as an order form.

Simply fill in the individual sections with the designation codes for the options selected, and send direct to the Bucher Hydraulics S.p.A. Sales Centres.

1	Type of housing	Vers.					
2	Pump	Hi-Lo	Series				
3	Tank	Fitting	Pos.				
4	Suction assembly kit	Tank fixing kit	Fill in this section only when ordering single sub-assemblies. Leave blank when ordering complete power packs.				
5	Electric motor	Pos.	Relay	Pos.			
6	Drive						
7	Cavity <b>a</b>		Cavity <b>b</b>				
	Cavity <b>d</b>		Cavity <b>e</b>				
	Cavity <b>g</b>		Hand lever	Lever stick	Volt		
8	Sequence	Manifolds	Valves for manifolds	Qty.			
9	El. n.	Sectional valve housing	Circuit	Posit.	Lever	Hand Lever	Valves for sec. valve

Customer \_\_\_\_\_

Qty. - sample \_\_\_\_\_

Qty. - batch \_\_\_\_\_

# 1 Power pack housing

## 1.1 Technical information

### 1.1.1 Materials

Housing: pressure diecast aluminium alloy.  
Seals: Buna N

### 1.1.2 Versions

The design has been developed in such a way that one basic pattern can be exploited to obtain different casting versions, designated:

K03 - K17 - K34- K04 - K41- K42 - K46 - K50 - K52.

### 1.1.3 Maximum operating pressures

230 bar is the maximum continuous operating pressure resulting from test, though higher values are possible subject to approval by Bucher Hydraulics Engineers Dpt.

### 1.1.4 Pumps

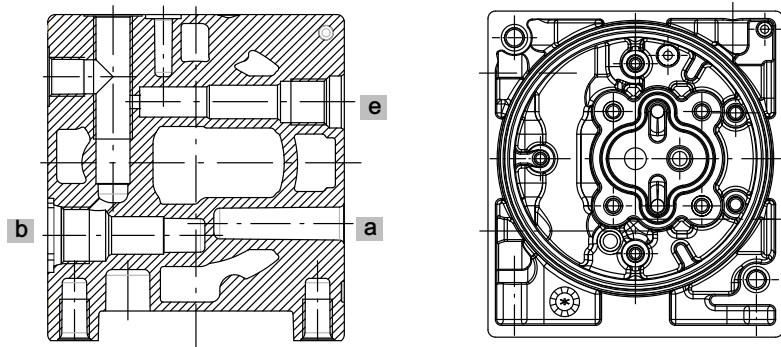
The housing versions are intended for use with:  
Single pump AP05 S.409-AP05 S.409F CCW rotation.  
Single pump AP05 339 reversible rotation

### 1.1.5 Valves cavities

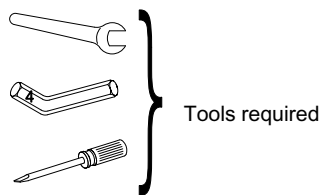
Standard cavity "b" will allow 3/4-16 UNF cartridge valves manufactured by Bucher Hydraulics S.p.A., which are interchangeable with similar components made by major European and US manufacturers.

The only exception is the pressure relief and check valves relised according Bucher Hydraulics standard.


A variety of hydraulic circuits can be obtained with the same housing. To facilitate the correct composition of the desired hydraulic circuit, the position of each cavity is identified by a letter. The combination letter/cavity position remain unchanged for all the various UP50 housings.

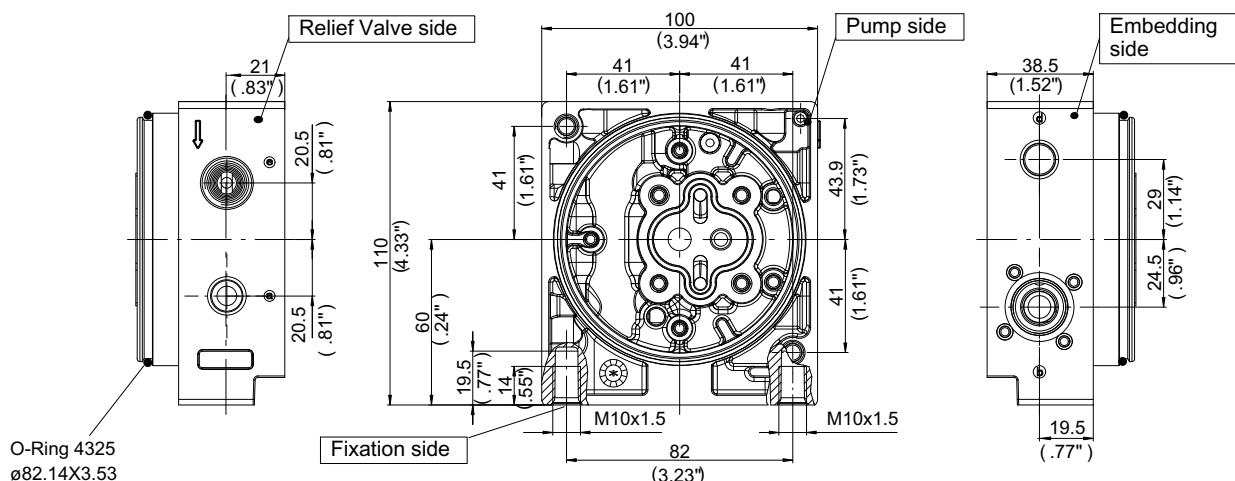


### 1.1.6 Non-standard symbols used in the text

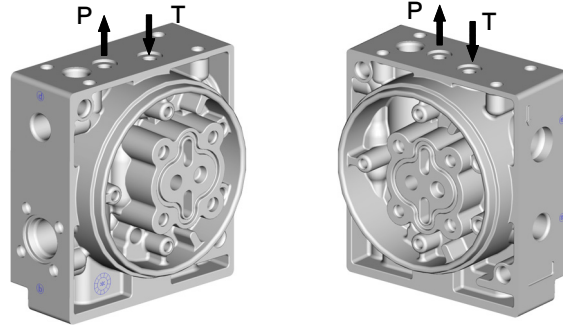


### 1.1.7 Recommended tightening torques

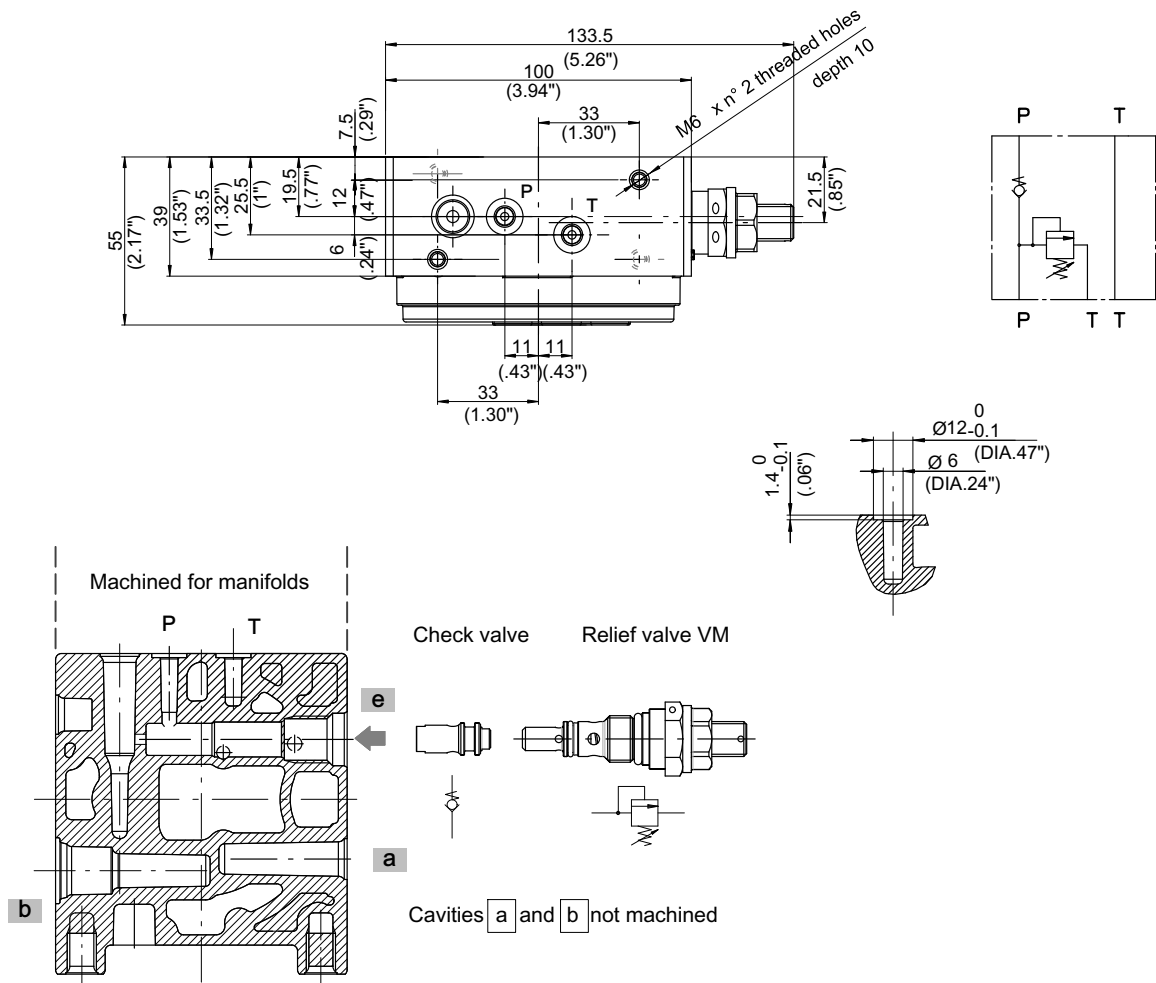
Port .....	Nm	
Standard: 1/4" BSP .....	30 <sup>+7</sup> / <sub>-6</sub>	
Note: other threads on demand		



## 1.2 Housing UP50 K03-K34 (P and T connections) Machined for flanged manifolds



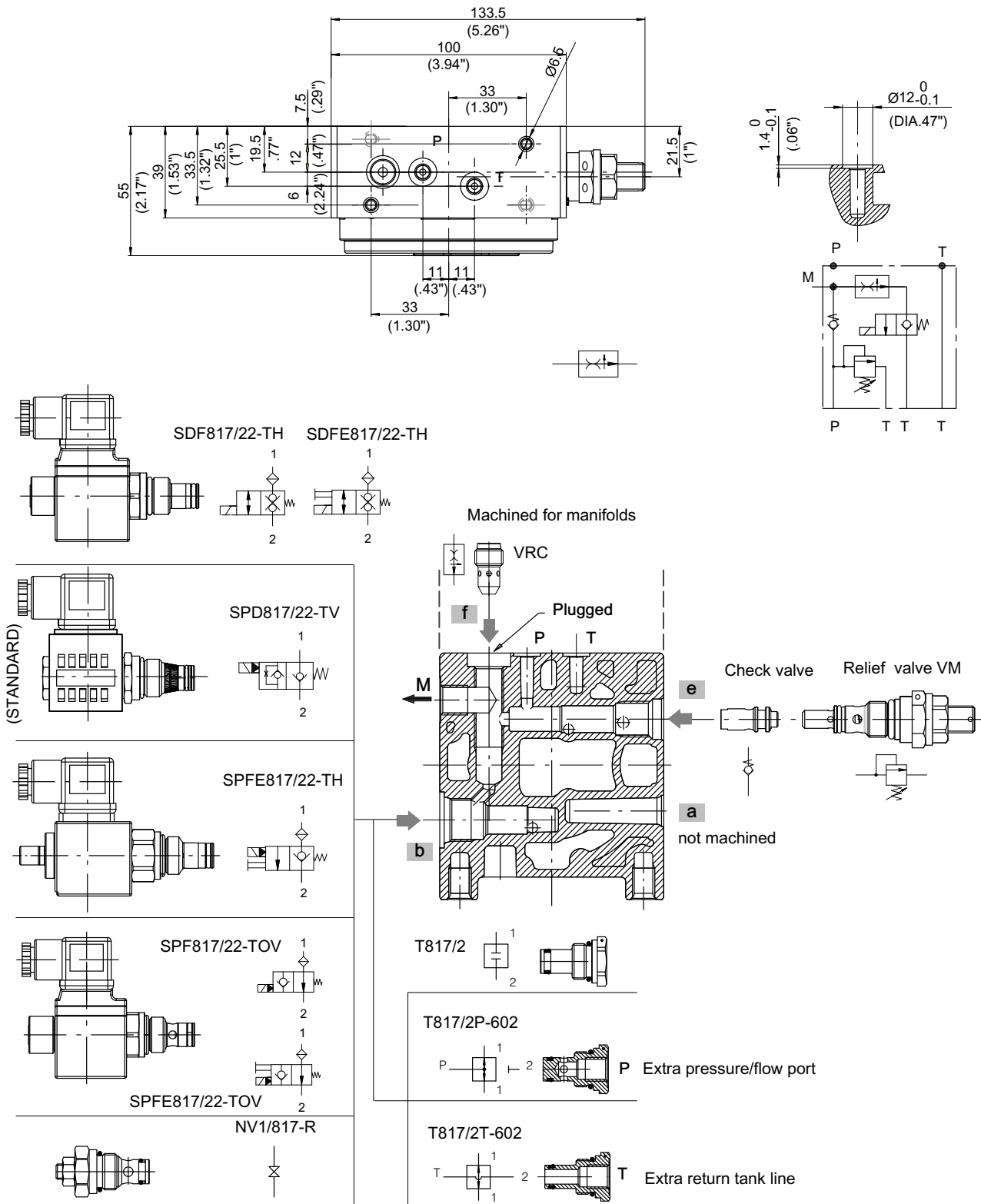
### 1.2.1 K03 - Interface for external manifold



Type	For manifolds
UP50K03	Section 8 of catalogue

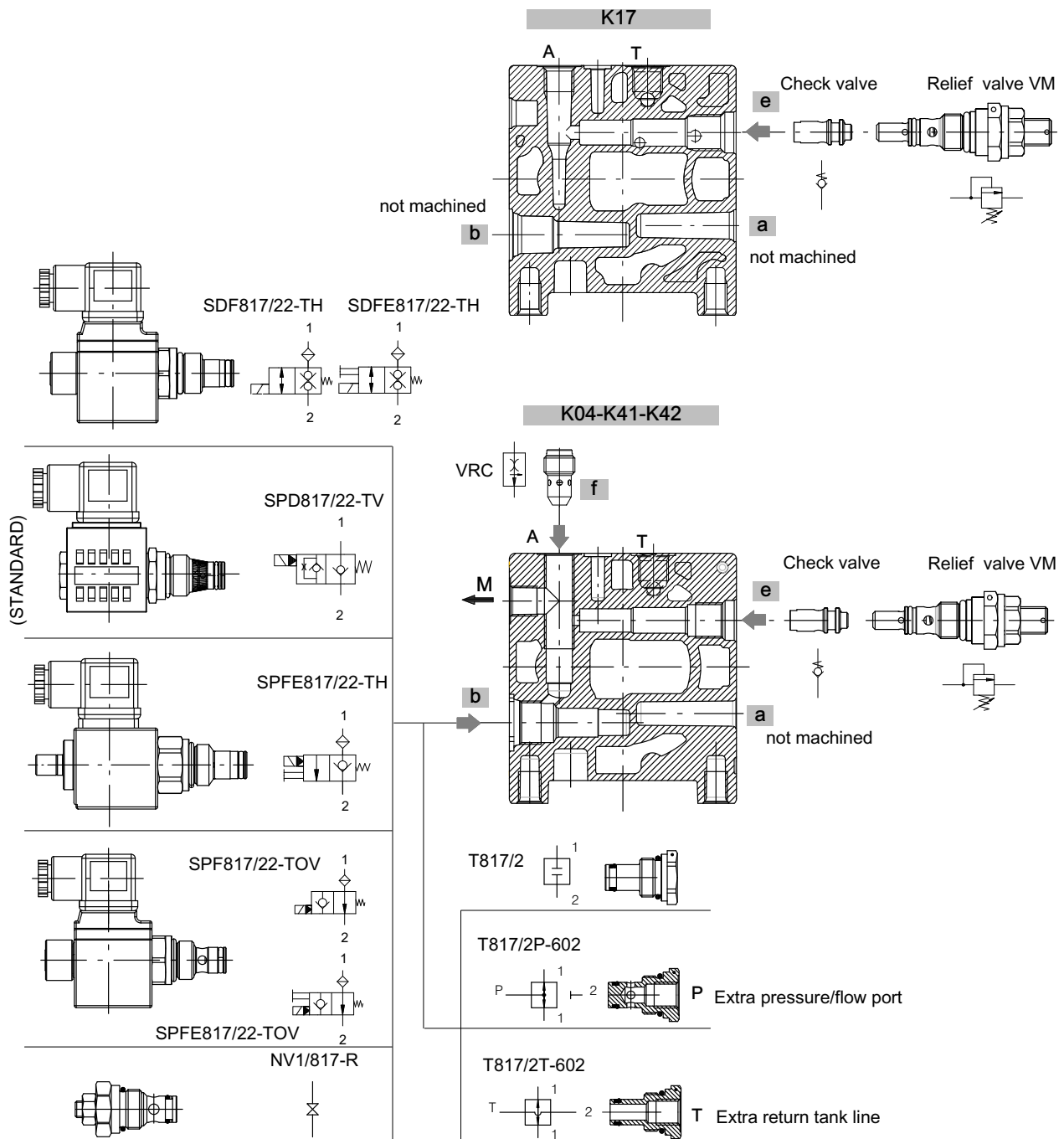


## 1.2.2 K34 - Interface for external manifold and integrated unloading valve

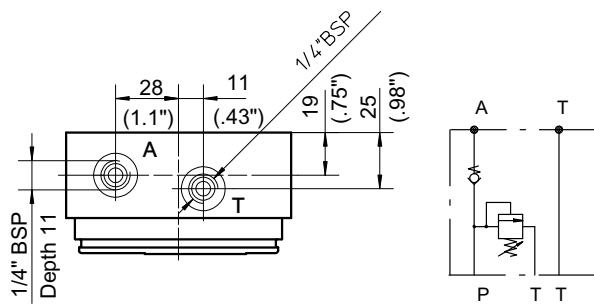


Type	Port M	For manifolds
UP50K34	1/4" BSP (open)	Section 8 of catalogue

## 1.3 Housing UP50: K17-K04-K41-K42-K46 (threaded ports)

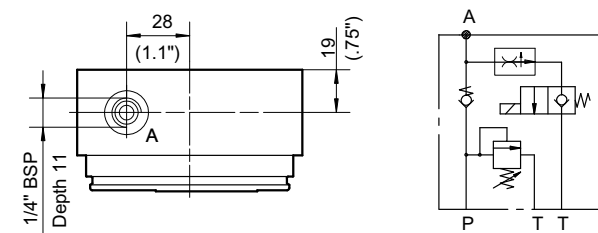


1.3.1 K17 - Housing with P-T threaded ports



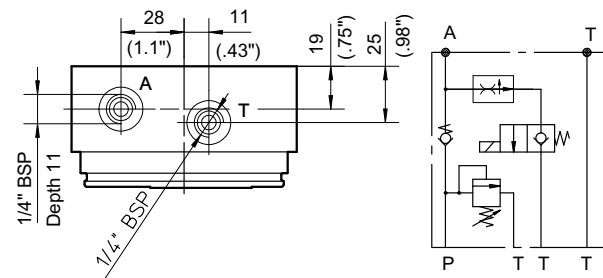
Type	Port A	Port T
UP50K17	1 / 4" BSP	1 / 4" BSP

1.3.2 K04 - Housing with A threaded port and integrated unloading valve



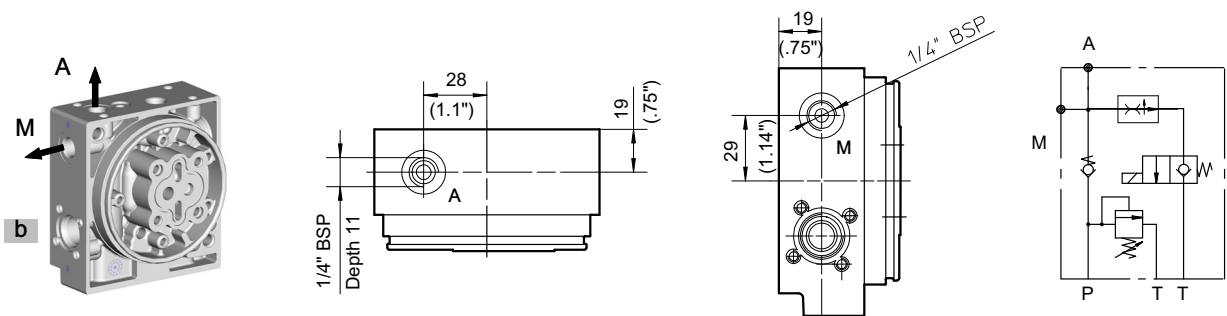
Type	Port A
UP50K04	1 / 4" BSP

1.3.3 K41 - Housing with A - T threaded ports and integrated unloading valve



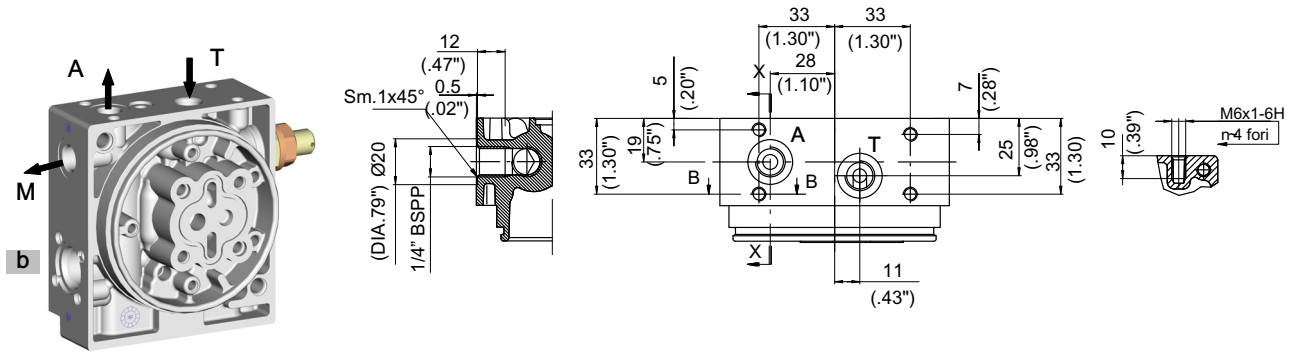
Type	Port A	Port T
UP50K41	1 / 4" BSP	1 / 4" BSP

1.3.4 K42 - Housing with A - M threaded ports and integrated unloading valve

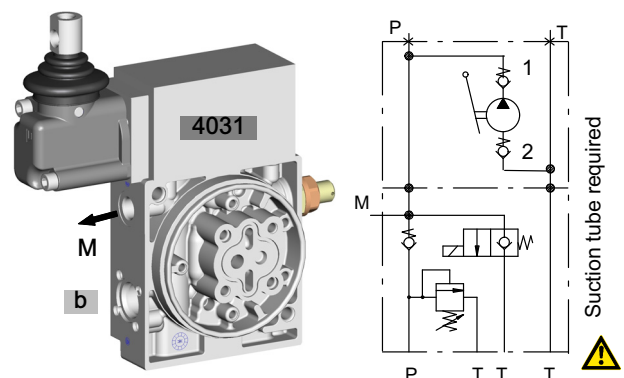
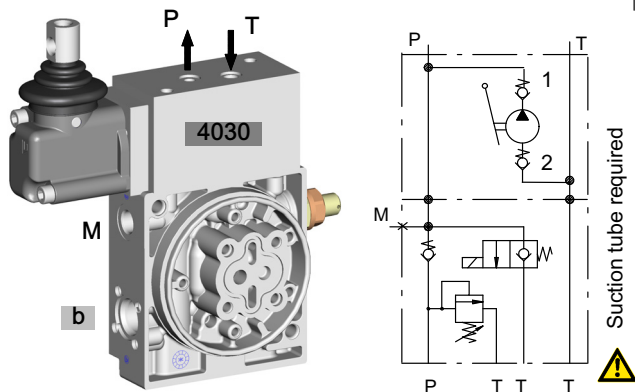
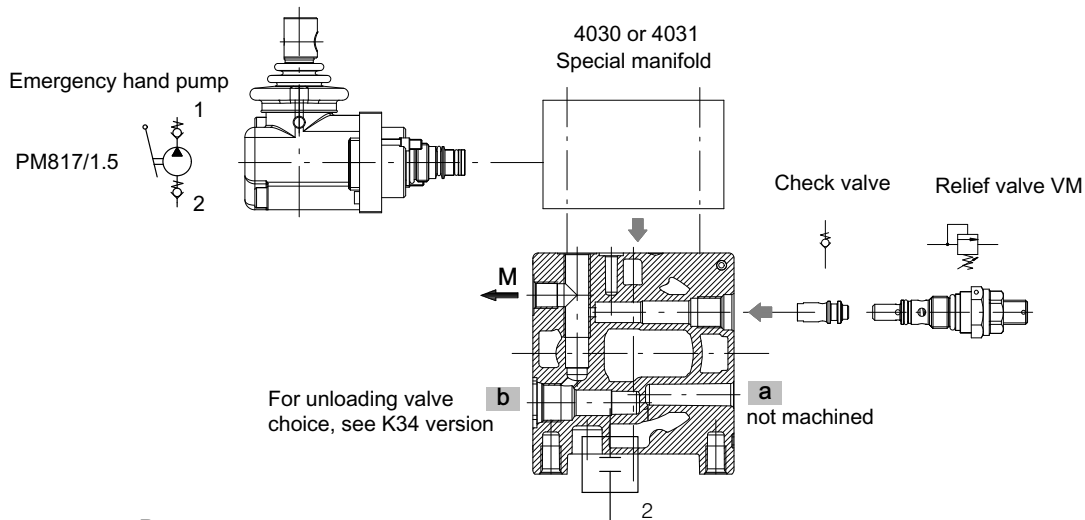
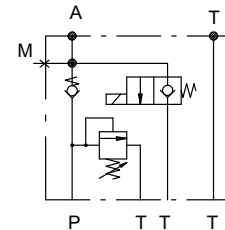


Type	Port A	Port M
UP50K42	1 / 4" BSP	1 / 4" BSP

## 1.3.5 K46 - Housing with threaded ports, integrated unloading valve and interface for the external manifold with emergency hand pump (4030 - 4031)



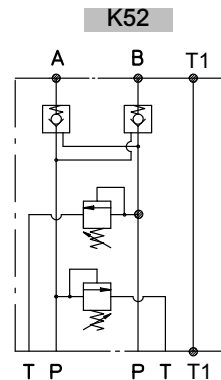
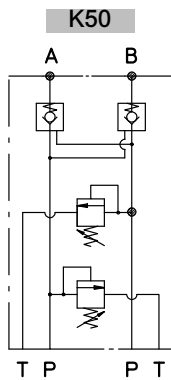
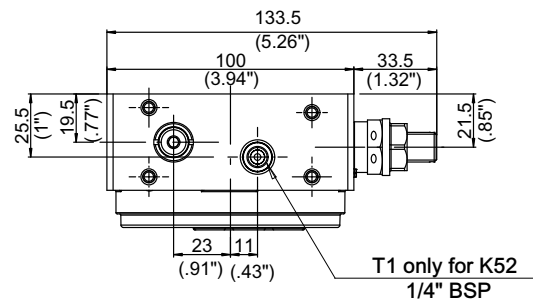
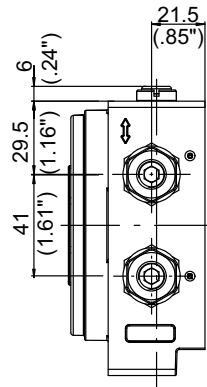
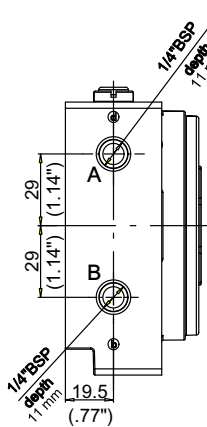
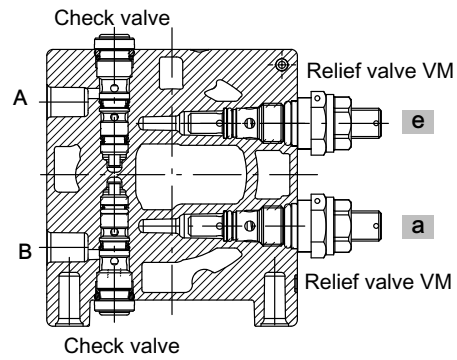
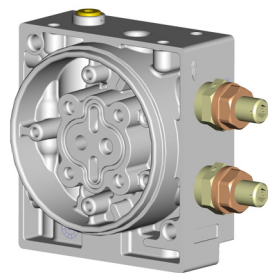
Type	Port A	Port T	Port M
UP50K46	1/4" BSP	1/4" BSP	1/4" BSP plugged



Type	Port P	Port T	Port M	Hand pump manifolds
UP50K46	-	-	1/4" BSP plugged	Section 7.6 of catalogue

Type	Port P	Port T	Port M	Hand pump manifolds
UP50K46	-	-	1/4" BSP	Section 7.6 of catalogue

1.4 Housing UP50K50-K52 (Reversible circuit) with threaded ports



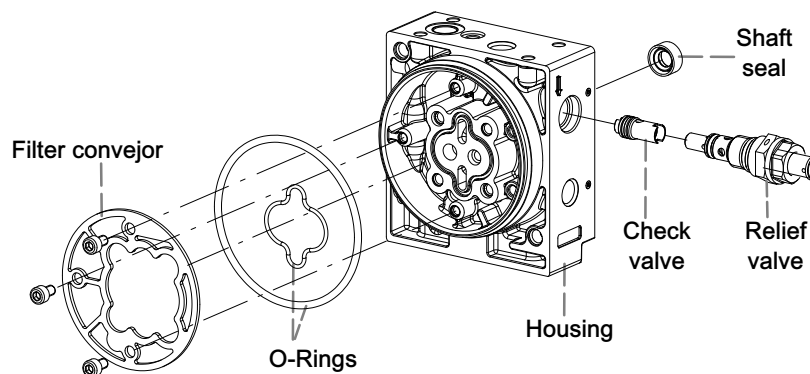
Type	Port A	Port B
UP50K50	1/4" BSP	1/4" BSP

Type	Port A	Port B	Port T1
UP50K52	1/4" BSP	1/4" BSP	1/4" BSP

### 1.5 Preassembled housing

Part numbers below indicate the housings assembly fitted with shaft seal, O-Rings, filter conveyor with fixing screws,

relief valve (Std setting RV: VM01 T.85-210) and check valve.



Body type	Complete code with RV Std setting (T.85-210 bar)
UP50K03	200740210040
UP50K34	200740210150
UP50K17	200740220040
UP50K04	200740230040
UP50K41	200740230240
UP50K42	200740230200
UP50K46	200740290060
UP50K50	200740250040
UP50K52	200740250100

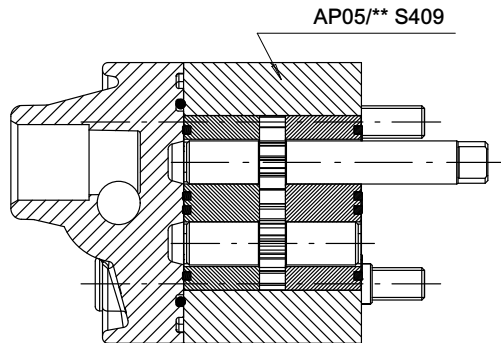
## 2 Gear pumps

### 2.1 Technical information

#### 2.1.1 Material

Cover: Pressure diecast aluminium alloy  
Body: Extruded aluminium alloy  
Gears: Casehardened and hardened steel.

Bearings: Aluminium alloy.  
Seals: NBR.



#### 2.1.2 Suitable fluids

Only mineral oil based hydraulic fluids responding to ISO/DIN standard should be used.

Viscosity range:

recommended 20 - 120 mm<sup>2</sup>/s (cSt)  
admitted up to 700 mm<sup>2</sup>/s (cSt)

Operating temperature range: -15 +80 °C

For other fluids consult our Sales Department.



**ATTENTION!** Use of pumps at temperatures above 80°C must always be agreed upon with our Technical Office, and in any case this can cause a significant worsening in the volumetric efficiency. For use under conditions different from those indicated in this catalogue, please contact our Sales Department.

#### 2.1.3 Inlet

Absolute pressure at the pump inlet must be  
 $V > 0.75 \text{ bar (11 PSI)}$

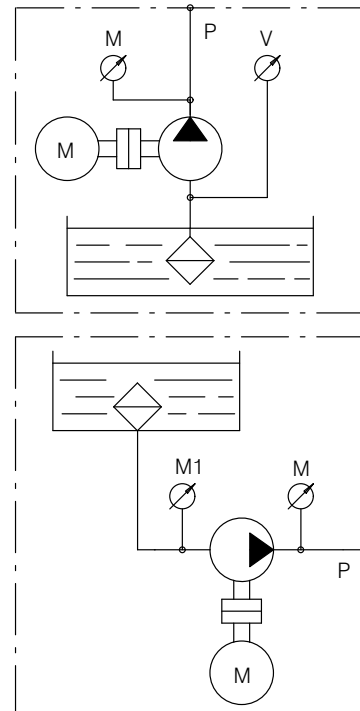
Accordingly, avoid:

- significant differences in height of pump and tank
- long pipeline runs
- sharp bends, restrictions, etc. causing turbulent flow

In certain applications, inlet pressure may be higher than 1 bar (14.3 PSI), or at any rate higher than atmospheric.

For pumps with standard configuration, the pressure registering at the gauge M1 should be:

$M1 < 3.5 \text{ bar (50 PSI)}$ .



## 2.1.4 Outlet

Pressure levels:

P1 = continuous operating pressure

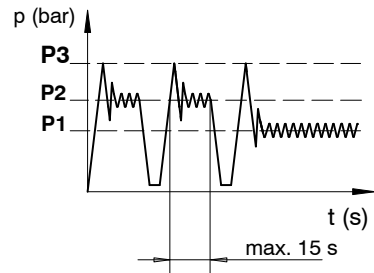
P2 = intermittent operating pressure

P3 = peak pressure

The recommended delivery pipe oil speed is between:

$v = 2 - 5 \text{ m/s}$

In the next pages are indicated the performances for each pump.



AP05 Pump type	Displacement		L		Max pressure					
	cm <sup>3</sup> /rev	Cu.In.P.R.	mm	inch.	P1		P2		P3	
					bar	PSI	bar	PSI	bar	PSI
AP05/1.6 S.409	1.6	.10	74.7	2.94	170	2400	180	2600	200	2900

## 2.1.5 Calculating the specifications of a gear pump

The equations for calculating the following parameters are given below:

**Vc** = (cm<sup>3</sup>/g) pump displacement;

**n** = (g/min) Drive shaft rpm;

**Q** = (l/min) flow rate;

**P** = (bar) Operating pressure;

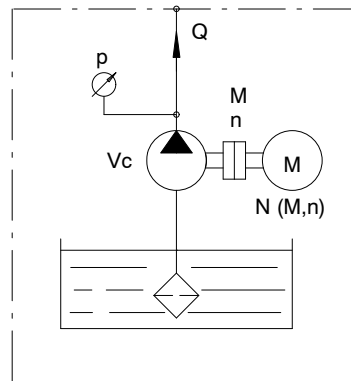
**M** = (Nm) Torque;

**N** = (kW) Power

$\eta_v$  = (%) Volumetric efficiency

$\eta_m$  = (%) Mechanical efficiency

$\eta_t$  = (%) Total efficiency



$$Q = \frac{Vc \cdot n}{100000} \cdot \eta_v$$

$$Vc = \frac{100000 \cdot Q}{n \cdot \eta_v}$$

$$n = \frac{100000 \cdot Q}{Vc \cdot \eta_v}$$

$$N = \frac{Vc \cdot n \cdot p}{6000 \cdot \eta_m}$$

$$N = \frac{Q \cdot p}{6 \cdot \eta_t}$$

$$p = \frac{N \cdot 6 \cdot \eta_t}{Q}$$

$$p = \frac{N \cdot 6000 \cdot \eta_m}{Vc \cdot n}$$

$$M = 9555 \cdot \frac{N}{n}$$

$$\eta_t = \eta_v \cdot \eta_m$$

Example

AP05/1.6  $Vc = 1.6 \text{ cm}^3/\text{r}$   $n = 1500 \text{ r/min}$   $p = 170 \text{ bar}$   $\eta_v = 94\%$   $\eta_m = 87\%$

$$Q = \frac{1.6 \cdot 1500}{100000} \cdot 94 = 2.26 \text{ l/min.}$$

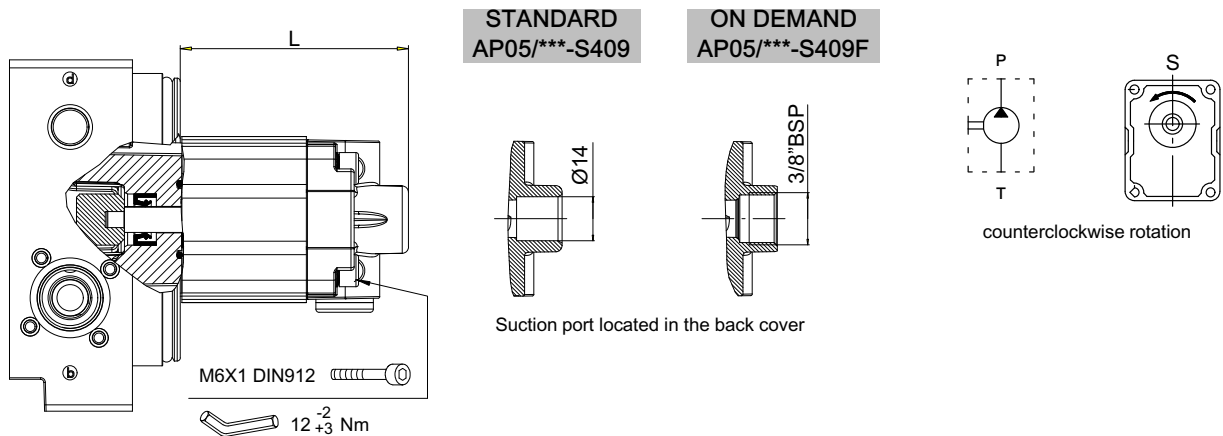
$$\eta_t = 0.94 \cdot 0.87 = 0.82 = 82\%$$

$$N = \frac{2.26 \cdot 170}{6 \cdot 82} = 0.78 \text{ kW}$$

$$M = 9555 \cdot \frac{0.78}{1500} = 4.97 \text{ Nm}$$



## 2.2 Gear pumps AP05/\*\* S409 - Counterclockwise rotation



Example	Pump	Series
2	A P 0 5 / 0 , 2 5	S 4 0 9

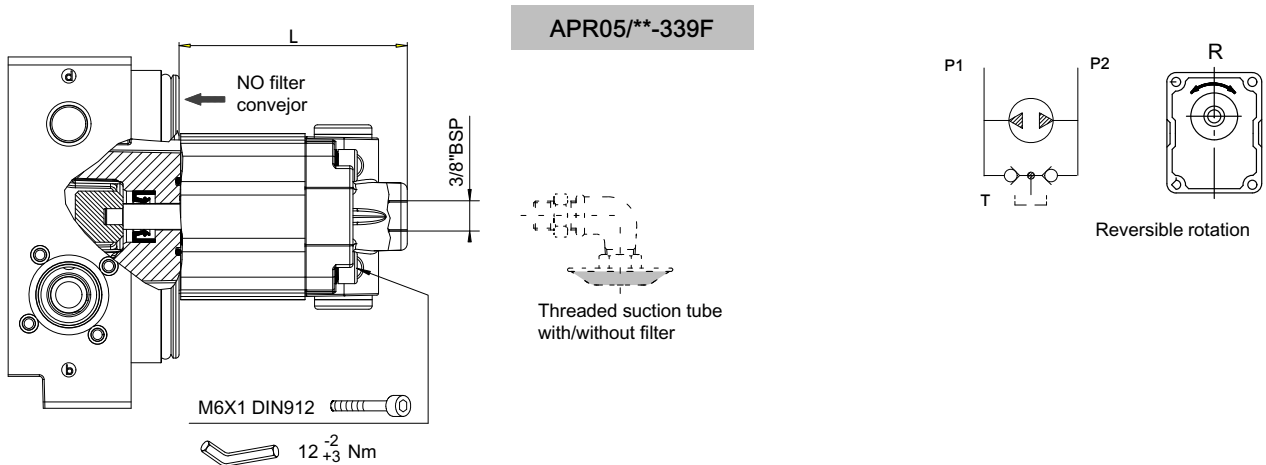
### Standard version

AP05	Displacement		Order code	L		Max. pressure						n. min.		n. max.
	Pump type S.409	cm <sup>3</sup> / rev				Cu.In. P.R.	P1		P2		P3		P<10 0 bar	P>10 0 bar
				bar	PSI		bar	PSI	bar	PSI				
AP05/0.25 S.409	0.25	.015	200748120050	63	2.48	170	2460	180	2610	200	2900	800	3000	7000
AP05/0.5 S.409	0.5	.031	200748130050	65	2.56	190	2750	210	3040	230	3330	650	3000	7000
AP05/0.75 S.409	0.75	.046	200748140050	67	2.64	190	2750	210	3040	230	3330	650	1500	7000
AP05/0.9 S.409	0.9	.055	200748150050	68.5	2.69	190	2750	210	3040	230	3330	650	1500	7000
AP05/1.2 S.409	1.2	.073	200748160050	71	2.79	170	2460	180	2610	200	2900	550	1500	6000
AP05/1.6 S.409	1.6	.098	200748180060	74.7	2.94	170	2460	180	2610	200	2900	550	1500	6000
AP05/2.3 S.409	2.3	.140	200748190040	80.6	3.17	150	2170	160	2300	180	2610	550	1500	4500

### On demand version, only

AP05	Displacement		Order code	L		Max. pressure						n. min.		n. max.
	Pump type S.409F	cm <sup>3</sup> / rev				Cu.In. P.R.	P1		P2		P3		P<100 bar	P>100 bar
				bar	PSI		bar	PSI	bar	PSI				
AP05/0.25 S.409F	0.25	.015	200748120170	63	2.48	170	2460	180	2610	200	2900	800	3000	7000
AP05/0.5 S.409F	0.5	.031	200748130150	65	2.56	190	2750	210	3040	230	3330	650	3000	7000
AP05/0.75 S.409F	0.75	.046	200748140090	67	2.64	190	2750	210	3040	230	3330	650	1500	7000
AP05/0.9 S.409F	0.9	.055	200748150090	68.5	2.69	190	2750	210	3040	230	3330	650	1500	7000
AP05/1.2 S.409F	1.2	.073	200748160150	71	2.79	170	2460	180	2610	200	2900	550	1500	6000
AP05/1.6 S.409F	1.6	.098	200748180080	74.7	2.94	170	2460	180	2610	200	2900	550	1500	6000
AP05/2.3 S.409F	2.3	.140	200748190050	80.6	3.17	150	2170	160	2300	180	2610	550	1500	4500

## 2.3 Gear pumps APR05/\*\* -339F - Reversible



Example	Pump	Series
2	A P R 0 5 / 0 , 5	- 3 3 9 F

AP05	Displacement		Order code	L		Max. pressure						n. min.		n. max.
	cm <sup>3</sup> /rev	Cu.In. P.R		mm	inch.	P1		P2		P3		P<100 bar	P>100 bar	P>P1
APR05/0.25-339F	0.25	.015	200748120020	63	2.48	150	2170	160	2320	180	2610	800	3000	7000
APR05/0.5-339F	0.5	.030	200748130020	65	2.56	170	2460	190	2750	210	3040	650	3000	7000
APR05/0.75-339F	0.75	.045	200748140020	67	2.64	170	2460	190	2750	210	3040	650	1500	7000
APR05/0.9-339F	0.9	.055	200748150020	68.5	2.69	170	2460	190	2750	210	3040	650	1500	7000
APR05/1.2-339F	1.2	.075	200748160020	71	2.79	150	2170	160	2320	180	2610	550	1500	6000
APR05/1.6-339F	1.6	.10	200748180010	74.7	2.94	150	2170	160	2320	180	2610	550	1500	6000
APR05/2.3-339F	2.3	.140	200748190020	80.6	3.17	130	1880	140	2030	160	2320	550	1500	4500

### 3 Tanks

Tanks supplied by Bucher Hydraulics S.p.A. are classified in two families, according to the material used in manufacture:

#### 3.1 Plastic tanks

#### 3.2 Metal tanks

For both following our fixing system

### 3.1 Plastic tanks

#### 3.1.1 Technical information

Material: Polypropylene (PP)

Color: neutral, translucent allowing visual check on the oil level

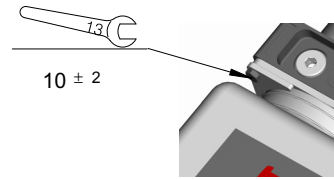
Conditions of use:

Operating temperature range: -15 / +70°C

Suitable fluids: use only mineral oil based hydraulic fluids responding to ISO - DIN standards.

Hydrocarbon based fluids (e.g. benzene, benzol, etc.) must not be used.

Versions: Tanks are available in numerous versions, allowing installation of the power pack in different horizontal and vertical positions.

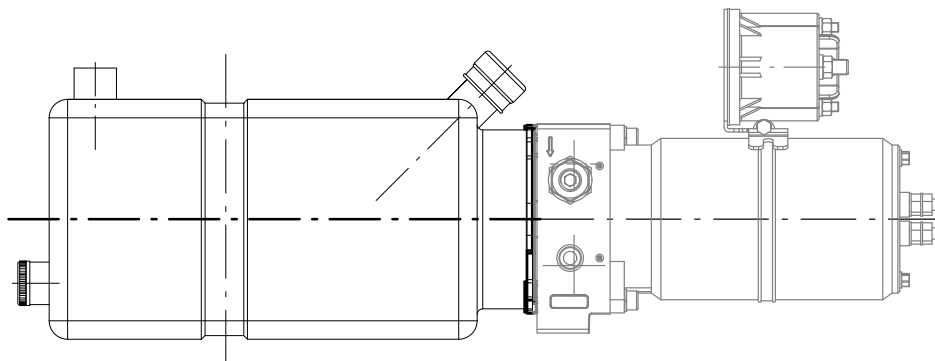


For the correct number of fixing bracket, bracket spacers and fixing bolts, see "Fixing kit for steel and plastic tank"

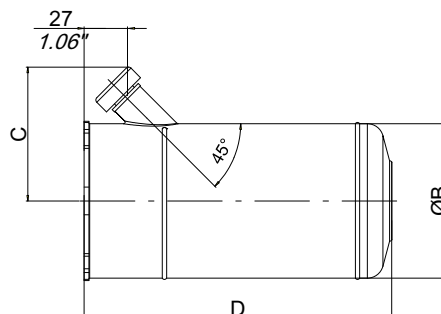


#### ATTENTION!

Whilst the fixing and sealing systems are designed for operation under the most heavy-duty conditions, the tank must be securely anchored when fitted to mobile equipment, and when subject to shocks and heavy vibrations generally, by means of flexible clips located in the recesses provided. Care must be taken never to stress and deform the tank when tightening the anchorages.

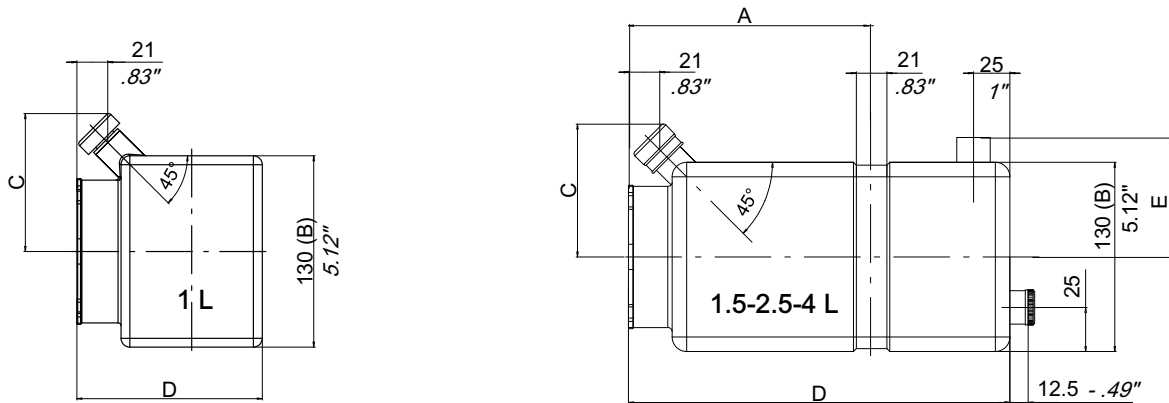


#### 3.1.2 Round plastic tanks from 0.5 to 1 litres



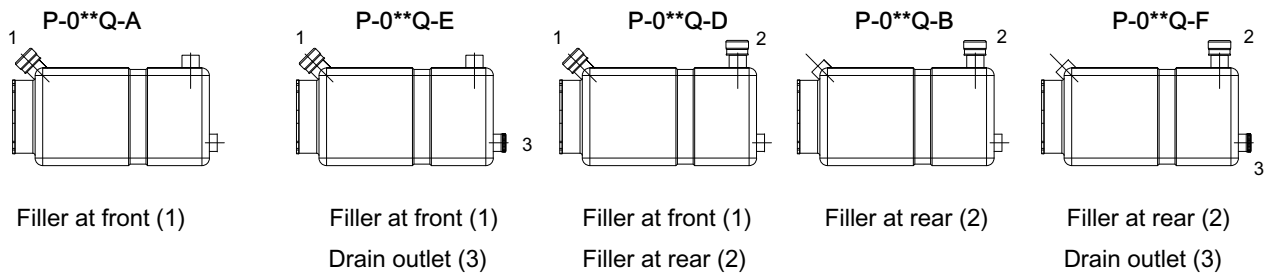
Nom capacity		Type/Code		Fixing Position	A		B		C		D	
L	U.S.G.P.M.				mm	inch	mm	inch	mm	inch	mm	inch
0.5	0.132	P-005R-A	200973210090	P01-P02-P03-P04	-		96	3.78	82.5	3.25	126	4.96
1	0.26	P-010R-A	200973220040	P05-P15-P25-P35	-		96	3.78	82.5	3.25	190	7.48

### 3.1.3 Square plastic tanks from 1 to 4 litres



Nom capacity		Type	Code	Fixing Position	A		B		C		D		E	
Litres	U.S.G .P.M.				mm	inch	mm	inch	mm	inch	mm	inch	mm	inch
1	0.26	P-010Q-A	200973220030	P01-P02-P03-P04 P05-P15-P25-P35	-		130	5.12	99	3.9	126	4.96	82	3.23
1.5	0.40	P-015Q-A	200973230030		-				99	3.9	159	6.26		
1.5	0.40	P-015Q-E	200973230070	-		99			3.9	159	6.26			
1.5	0.40	P-015Q-D	200973230060	-		99			3.9	159	6.26			
1.5	0.40	P-015Q-B	200973230040	-		99			3.9	159	6.26			
1.5	0.40	P-015Q-F	200973230080	-		99			3.9	159	6.26			
2.5	0.66	P-025Q-A	200973240020	P01-P02-P03-P04 P05-P15-P25-P35	167	6.6			99	3.9	262	10.3		
2.5	0.66	P-025Q-E	200973240060		167	6.6			99	3.9	262	10.3		
2.5	0.66	P-025Q-D	200973240050	-		99			3.9	262	10.3			
2.5	0.66	P-025Q-B	200973240030	P01-P02-P03-P04	167	6.6			99	3.9	262	10.3		
2.5	0.66	P-025Q-F	200973240070	-		99			3.9	262	10.3			
4.0	1.05	P-040Q-A	200973260020	P01-P02-P03-P04 P05-P15-P25-P35	232	9.13			99	3.9	327	12.9		
4.0	1.05	P-040Q-E	200973260060		232	9.13	99	3.9	327	12.9				
4.0	1.05	P-040Q-D	200973260050	-		99	3.9	327	12.9					
4.0	1.05	P-040Q-B	200973260030	P01-P02-P03-P04	232	9.13	99	3.9	327	12.9				
4.0	1.05	P-040Q-F	200973260070	-		99	3.9	327	12.9					

#### Horizontal and vertical mounting



## 3.2 Steel tanks

### 3.2.1 Technical information

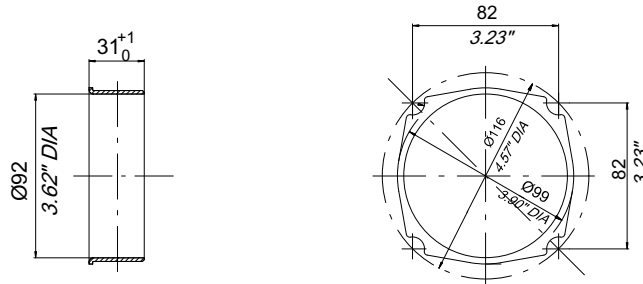
Materials: Sheet metal.  
 Color: Black paint finish (Standard)  
 Condition of use: Suitable fluids: mineral oil based hydraulic fluids responding to ISO -DIN standards.  
 Operating temperature range: -15 / +80°C

Hydrocarbon based fluids (e.g. benzene, benzol, etc.) must not be used.

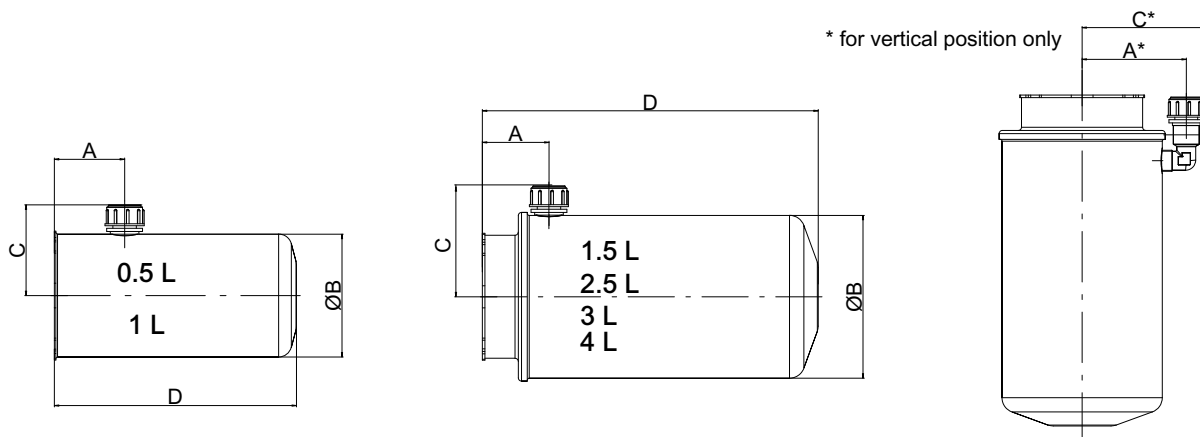
Versions: tanks are available in numerous versions, allowing installation of the power pack in different horizontal and vertical positions.

### 3.2.2 Flange

Type: S002  
 Code: 200609400020



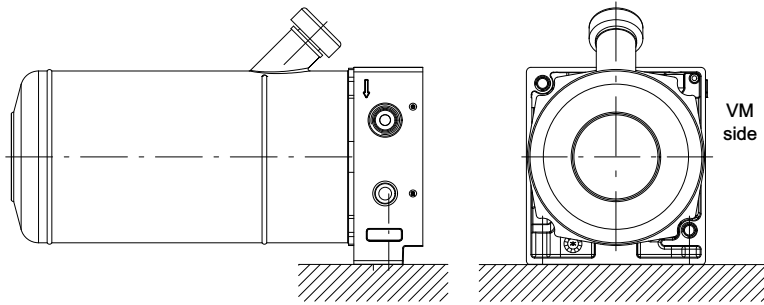
### 3.2.3 Round steel tanks from 0.5 to 4 litres



Nom capacity		Type	Code	Fixing Position	A		B		C		D	
L	U.S.G.P.M.				mm	inch	mm	inch	mm	inch	mm	inch
0.5	0.13	L00,5R-01	200972210080	P01-P02-P03-P04	40	1.57	94.4	3.72	72	2.83	126	4.96
0.5	0.13		200972210070	P05-P15-P25-P35	67*	2.64			82*	3.23		
1	0.26	L01,0R-01	200972220070	P01-P02-P03-P04	54	2.13	94	3.70	72	2.83	186	7.32
1	0.26		200972220080	P05-P15-P25-P35	67*	2.64			82*	3.23		
1.5	0.40	L01,5R-01	200972230100	P01-P02-P03-P04	54	2.13	127	5	88	3.46	159	6.26
1.5	0.40		200972230110	P05-P15-P25-P35	83*	3.27			98*	3.86		
2.5	0.66	L02,0R-01	200972290040	P01-P02-P03-P04	54	2.13	127	5	88	3.46	264	10.39
2.5	0.66		200972240130	P05-P15-P25-P35	83*	3.27			98*	3.86		
3.0	0.79	L03,0R-01	200972290040	P01-P02-P03-P04	54	2.13	154	6.06	102	4.02	220	8.66
3.0	0.79		-	P05-P15-P25-P35	-	-			-	-		
4.0	1.05	L04,0R-01	200972260090	P01-P02-P03-P04	54	2.13	154	6.06	102	4.02	301	11.85
4.0	1.05		200972260100	P05-P15-P25-P35	96*	3.78			111*	4.37		

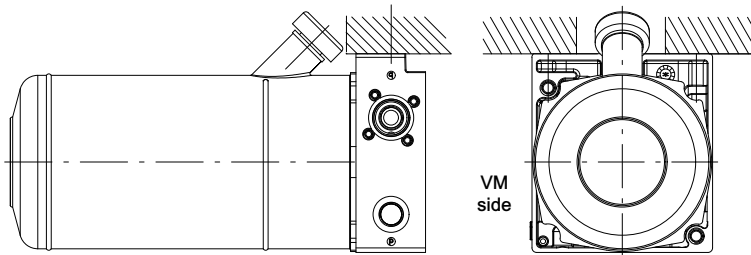
## 3.3 Fitment and fixing positions

### 3.3.1 Fixing position: Horizontal



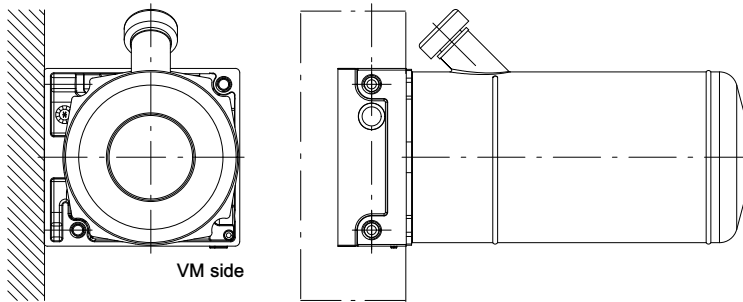
Assembling position

P01



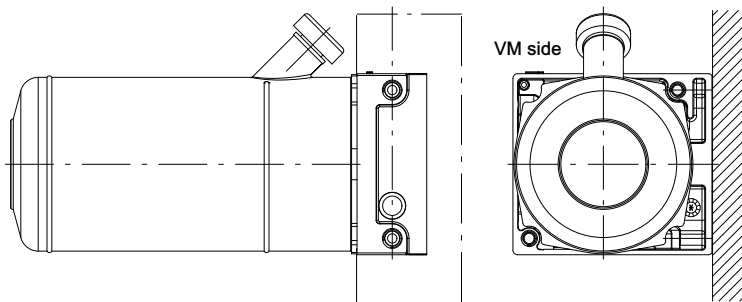
Assembling position

P02



Assembling position

P03



Assembling position

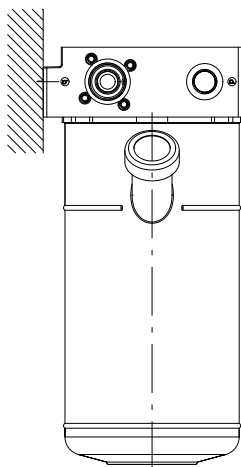
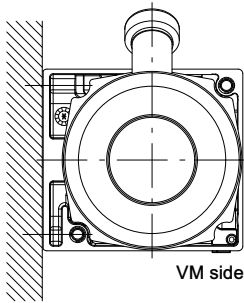
P04

Example

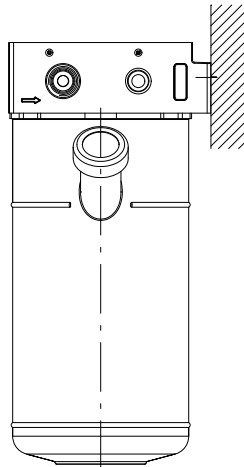
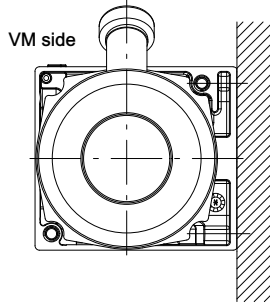
	Tank						Fitting				Pos.		
3	P	0	1	0	R	A					P	0	1

## 3.3.2 Fixing position : Vertical

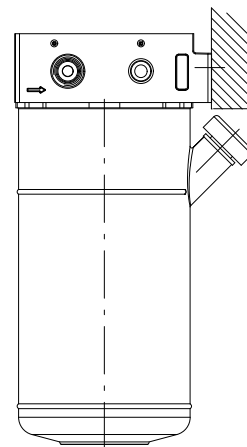
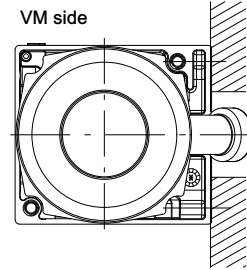
Assembling position **P05**



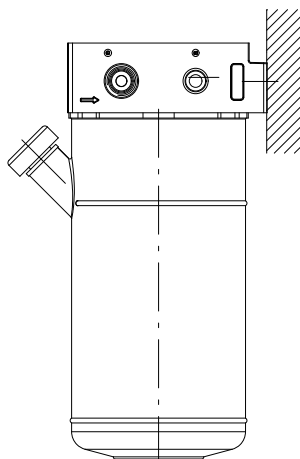
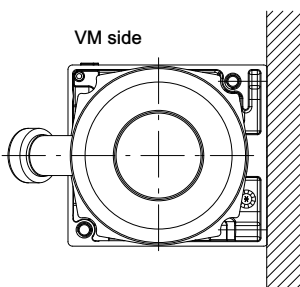
Assembling position **P15**



Assembling position **P25**



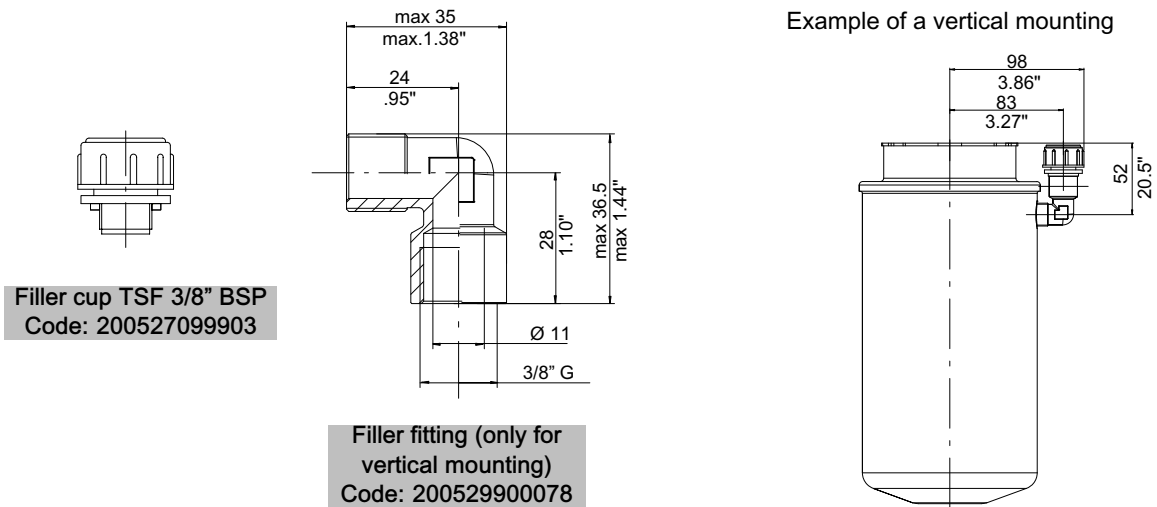
Assembling position **P35**



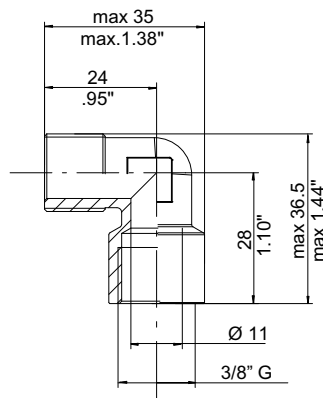
Example

	Tank						Fitting				Pos.			
3	P	0	1	0	R	-	A					P	1	5

### 3.3.3 Filler cap and fitting for steel tanks

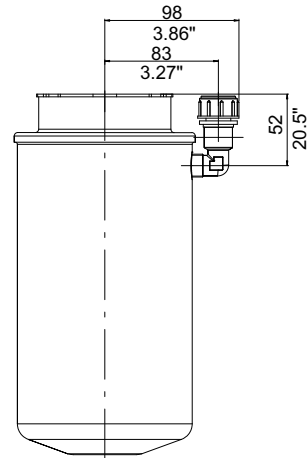


Filler cup TSF 3/8" BSP  
Code: 200527099903

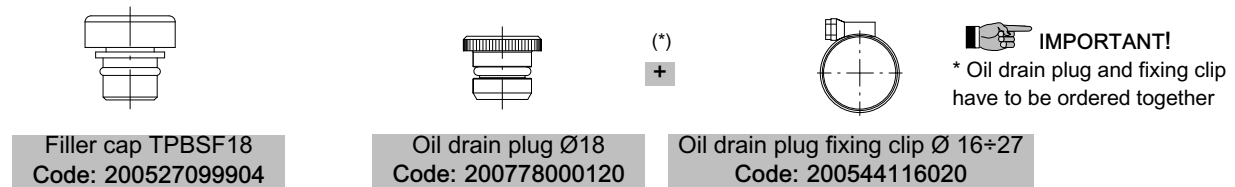


Filler fitting (only for vertical mounting)  
Code: 200529900078

Example of a vertical mounting



### 3.3.4 Filler cap and drain plug for plastic tank



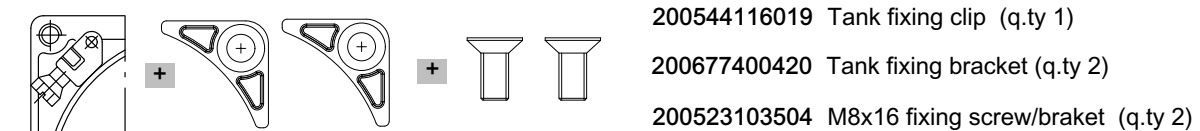
Filler cap TPBSF18  
Code: 200527099904

Oil drain plug Ø18  
Code: 200778000120

Oil drain plug fixing clip Ø 16÷27  
Code: 200544116020

### 3.3.5 Fixings kit for plastic tank

Code: 200771900230



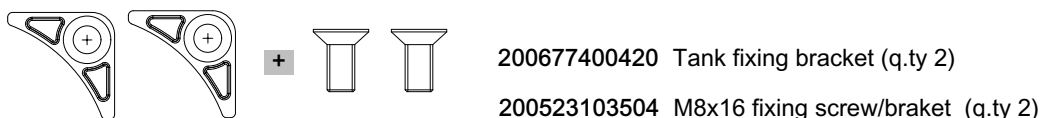
200544116019 Tank fixing clip (q.ty 1)

200677400420 Tank fixing bracket (q.ty 2)

200523103504 M8x16 fixing screw/braket (q.ty 2)

### 3.3.6 Fixings kit for metal tank

Code: 200771900380



200677400420 Tank fixing bracket (q.ty 2)

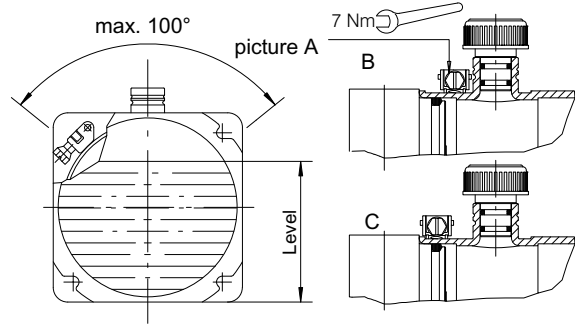
200523103504 M8x16 fixing screw/braket (q.ty 2)



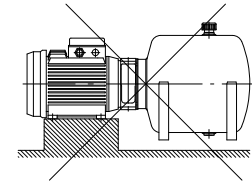
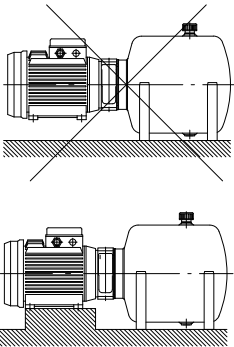


**ATTENTION!**  
Notes of fitment

Care needs to be taken over the following aspects of fitting and securing the tank. For horizontal mounting arrangements, the clip fastener must be positioned within the limits indicated in picture A. Other positions can result in deformation of the tank, and consequently in the risk of leakage. The clip should not be positioned against the filler as shown in pack housing, compressing the spigot O-Ring (fig.C).

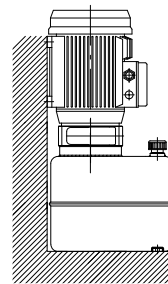


**Horizontal assembling for power pack with plastic/metal tanks**



**IMPORTANT!**  
Overhanging assembling configurations for motor or tank are not admitted

**Vertical assembling for power pack with plastic/metal tanks**



**IMPORTANT!**

For hydraulic units assembling electric motors equal or higher than 1.5 HP- 1.1KW, it's recommended to order the B34 frame size version. Consequently it is recommended to fix the hydraulic unit by the electric motor feet or when possible both electric motor and tank feet.

## 4 Suction/return assembly kits

### 4.1 Suction assembly kits for plastic tanks horizontal positions for standard AP05/\*\*\*-S409 Ø14

Pump S409	Tank types					
	P-005R-A	P-010R-A	P-010Q-A	P-01.5Q-*	P-02.5Q-*	P04.0Q-*
AP05/0.25	200785000050	200785000050	200785000070	200785000070	200785000070	200785000070
AP05/0.5						
AP05/0.75						
AP05/0.9						
AP05/1.2						
AP05/1.6	Assembling not possible					
AP05/2.3						

### 4.2 Suction assembly kits for steel tanks horizontal positions for standard AP05/\*\*\*-S409 Ø14

Pump S409	Tank types					
	L00,5R-01	L01,0R-01	L01,5R-01	L02,5R-01	L03,0R-01	L04,0R-01
AP05/0.25	200785000050	200785000050	200785000070	200785000070	200785000080	200785000080
AP05/0.5						
AP05/0.75						
AP05/0.9						
AP05/1.2						
AP05/1.6	Assembling not possible					
AP05/2.3						

### 4.3 Suction assembly kits for plastic tanks vertical positions for standard AP05/\*\*\*-S409 Ø14

Pump S409	Tank types					
	P-00,5R-A	P-01,0R-A	P-01,0Q-A	P-01,5Q-*	P-02,5Q-*	P04,0Q-*
AP05/0.25	200785000060	200785000020	200785000060	200785000090	200785000030	200785000150
AP05/0.5						
AP05/0.75						
AP05/0.9						
AP05/1.2	200785000100	200785000130	200785000100	200785000120	200785000140	
AP05/1.6						
AP05/2.3	Assembling not possible			200785000110	200785000140	

\* A-B-D-E-F versions

#### 4.4 Suction assembly kits for steel tanks vertical positions for standard AP05/\*\*\*-S409 Ø14

Pump S409	Tank types				
	L00,5R-01	L01,0R-01	L01,5R-01	L02,5R-01	L04,0R-01
AP05/0.25	200785000060	200785000020	200785000090	200785000030	200785000040
AP05/0.5			200785000120	200785000140	200785000180
AP05/0.75		200785000130			
AP05/0.9			200785000100	Assembling not possible	200785000160
AP05/1.2	200785000100	Assembling not possible			
AP05/1.6			200785000100	Assembling not possible	200785000160
AP05/2.3	200785000100	Assembling not possible			

#### 4.5 Suction assembly kits - Reversible version

For the combinations of the suction assembly kits for plastic/steel tanks, horizontal/vertical positions please consult our Sales Organisation

## 5 Electric motors

Electric motor available:

### 5.1 D.C. motors

Generally used for mobile applications

### 5.2 A.C. motors

Generally used for stationary applications

### 5.1 D.C. Electric motors

#### 5.1.1 Technical information

Available versions:

Voltage: 12-24 and 48 V

Power rating: 0.8 ÷ 3 kW.

For different input voltage and power rating, consult our Sales Department.

Direction of rotation:

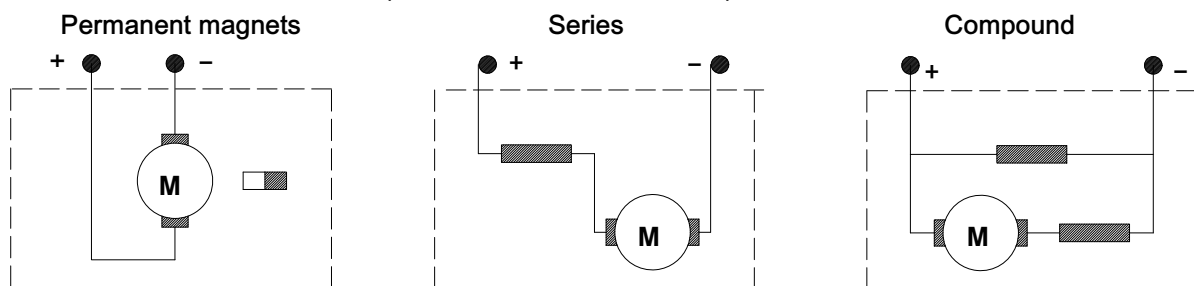
Unless otherwise stated, all motors are specified clockwise

rotation, suitable for driving counterclockwise pump.

Type of winding:

D.C. motors can be manufactured in different types of field windings:

- Permanent magnets
- Series
- Compound



Insulation class:

The class of electric insulation reflects the maximum temperature the motor can register during operation without damage to the insulating material internally of the motor itself.

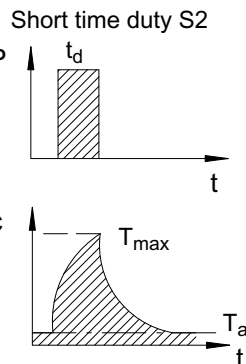
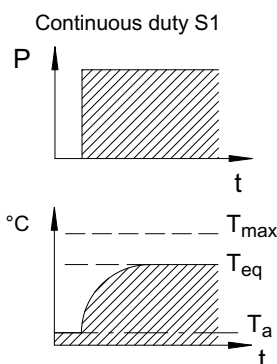
The following table indicates insulation classes to CEI 15-26.

Class	Y	A	E	B	F	H
Temperature (°C)	90	105	120	130	155	180

Type of duty:

To ensure selection of the electric motor best suited to a given set of operating conditions, the duty cycle needs to be verified. Duty cycles S1, S2 and S3 are defined below in accordance with CEI 2-3

Continuous duty S1:



Operation on-load (steady conditions) for a period of indefinite duration, during which the motor reaches thermal equilibrium without exceeding the maximum permissible temperature.

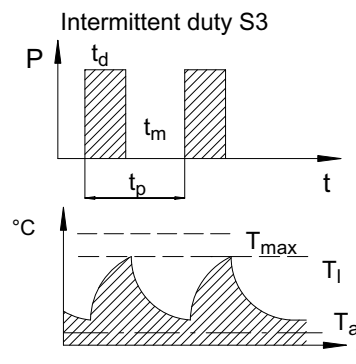
Short time duty S2

Operation on-load (steady conditions) for a period of limited duration, denoted  $t_d$  in the diagram, during which maximum permissible temperature is reached, followed by an off-load period of duration sufficient for the temperature of the motor to return to ambient temperature.

Intermittent duty S3

A sequence of identical cycles, each 10 minutes in duration, the single cycle comprises a period of operation on-load  $t_d$ , during which the motor may reach its maximum permissible temperature, is reached, followed by an off-load period of limited duration  $t_m$ , insufficient for the temperature of the motor to return to ambient temperature.

The value of S3 indicates the duration of the on-load period  $t_d$  in relation to the overall cycle time  $t_p$ , as a percentage.



$$S3 = \frac{t_d}{t_d + t_m} \times 100$$

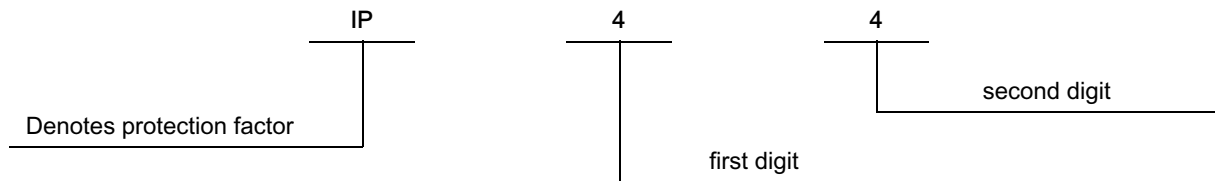
P .. = load  
 Teq = temperature at thermal equilibrium  
 Tmax = maximum permissible temperature  
 Tl = operating temperature

Ta = ambient temperature  
 td = duration of on-load period  
 tm = duration of off-load period  
 tp = duration of cycle (10 min.)

## Degree of protection:

This indicates the level of protection afforded in preventing contact between live parts of the motor and people or foreign matter generally, and preventing the penetration of water.

The degree of protection is indicated in accordance with CEI 2-16 by the initials IP and two identifying digits:  
Example:



The first digit indicates the degree of protection afforded to the motor against contact with people or foreign bodies.

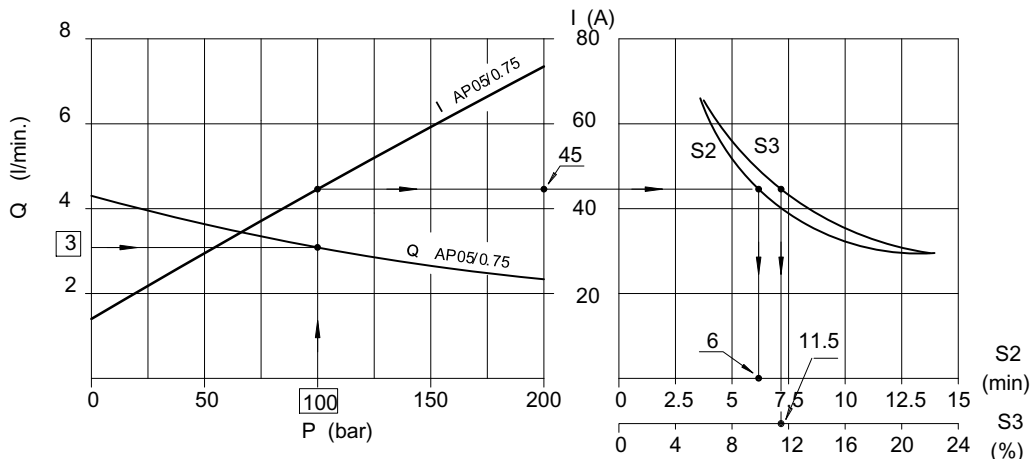
The second digit indicates the degree of protection afforded to the motor against the effects of penetration by water.

0	no protection	0	no protection
1	protection against solid bodies measuring > 50 mm	1	protection against water dripping vertically
2	protection against solid bodies measuring > 12 mm	2	protection against water dripping at 15° max
3	protection against solid bodies measuring > 2.5 mm	3	protection against rain
4	protection against solid bodies measuring > 1 mm	4	protected against water splash
5	protection against dust	5	protected against water spray

## 5.1.2 Characteristic curves

Characteristic curves are given for each motors, from which to establish pressure, flow rate and current consumption

values, and S2 and S3 duty cycles.



## 5.1.3 Example of how the graphs are used

### Required data

Flow rate  $Q = 3 \text{ l/l'}$

Pressure  $p = 100 \text{ bar}$

### Pump displacement

Determined by the intersection of the required  $p$  and  $Q$  curves.

In the example indicated, pump AP05/0.75 has the required  $p$  and  $Q$  specifications.

In the event that there is no point of intersection with any curve, a displacement as near as possible to the required flow rate should be selected.

### Current consumption

This is determined by taking a vertical line from the pressure value to its point of intersection with the  $I$  curve corresponding to the selected displacement.

In the example illustrated, current consumption is:

$I = 45 \text{ Ampere}$

### Type of use

Having established the current, the relationship of the S2 and S3 curves will give the following values:

S2 = 6 min. S3 = 11.5%

### Terminals

Unless otherwise stated, d.c. motors supplied by Bucher Hydraulics S.p.A. have two terminals.

Poles are identified in accordance with IEC34-8

A1 - A2 Armature

D1 - D2 Series

B1 - B2 Poles

E1 - E2 Parallel

### Electric diagram

A typical arrangement for connection of the motor to the power supply is shown in the diagram.

### 5.1.4 Mounting directions



The tie bolts must not be withdrawn completely while fitting motor, but retracted just for a short distance (30-50 mm max).

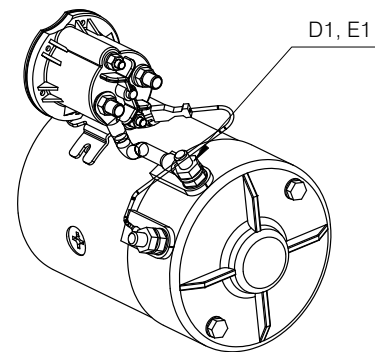
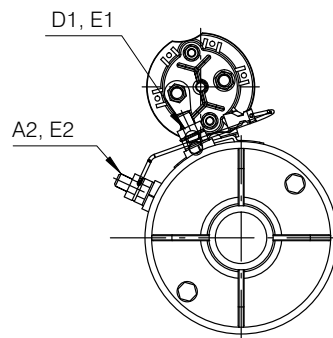
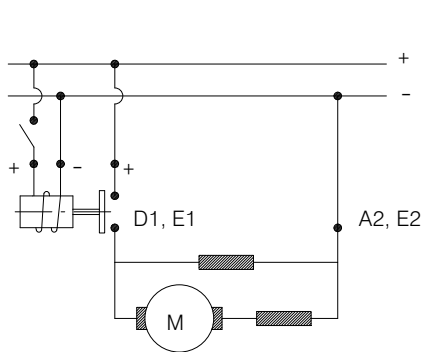
Once fitted to the power pack, the motor should be run off-load momentarily (5 seconds max) to verify its correct operation: supply power to the windings and measure the current drain, which must not exceed the following values:

24 V motor -  $I < 35$  Ampere

12 V motor -  $I < 70$  Ampere

#### Power cable

The wire selected for power connections must be of cross section appropriate for the rated current of the motor.



Versions available on request

1. Motors with electrical device monitoring brush wear
2. Motors with thermocouple
3. Fan-cooled motors

Fan-cooled motors, 12 and 24 volt, are available, for further information, consult our Sales Department.

Bucher Hydraulics S.p.A. is not an electric motors manufacturer so these components come from third part. Bucher Hydraulics S.p.A. reserves the right to change the motor supplier whenever considers it necessary without notice

## 5.1.5 Starter Relays - Technical information

Versions:

Available voltage: 12-24 V

Heavy duty: for more arduous conditions

See relative table for technical data for:

- Electrical insulation class

- Type of duty

- Protection factor:

The level of protection is defined according to the same parameters as listed for electric motors.

- Contact life:

The contacts of the relay will wear down progressively during operation.

Since the rate of wear is dedicated by the type of duty and cannot therefore be broadly specified, consult our Sales dept. for guideline information.

Fitment to electric motor

Starter relays can be fitted to the frame of the motor by two different methods:

### 1. Direct

The relay is secured with screws, using holes already tapped in motor frame. In this instance there is one standard mounting position only.

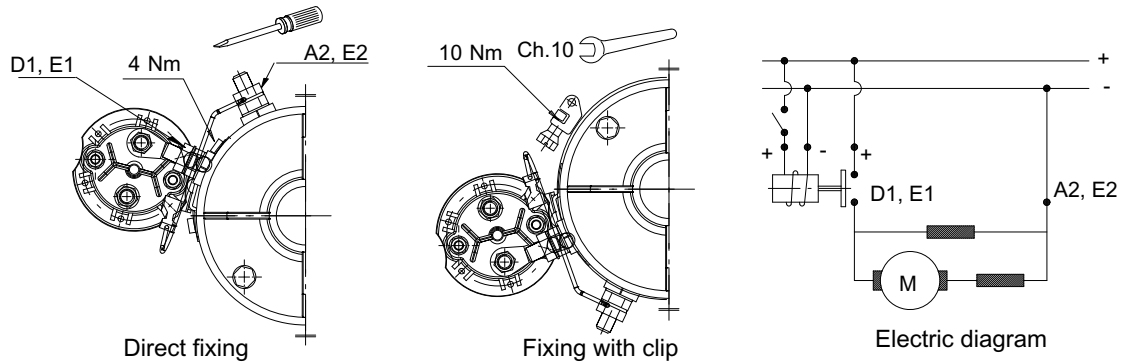
### 2. Metal clip

The relay is secured by means of a clip encircling the motor frame and inserted through special slots in the feet of the relay itself.

In this instance, several mounting positions are possible.

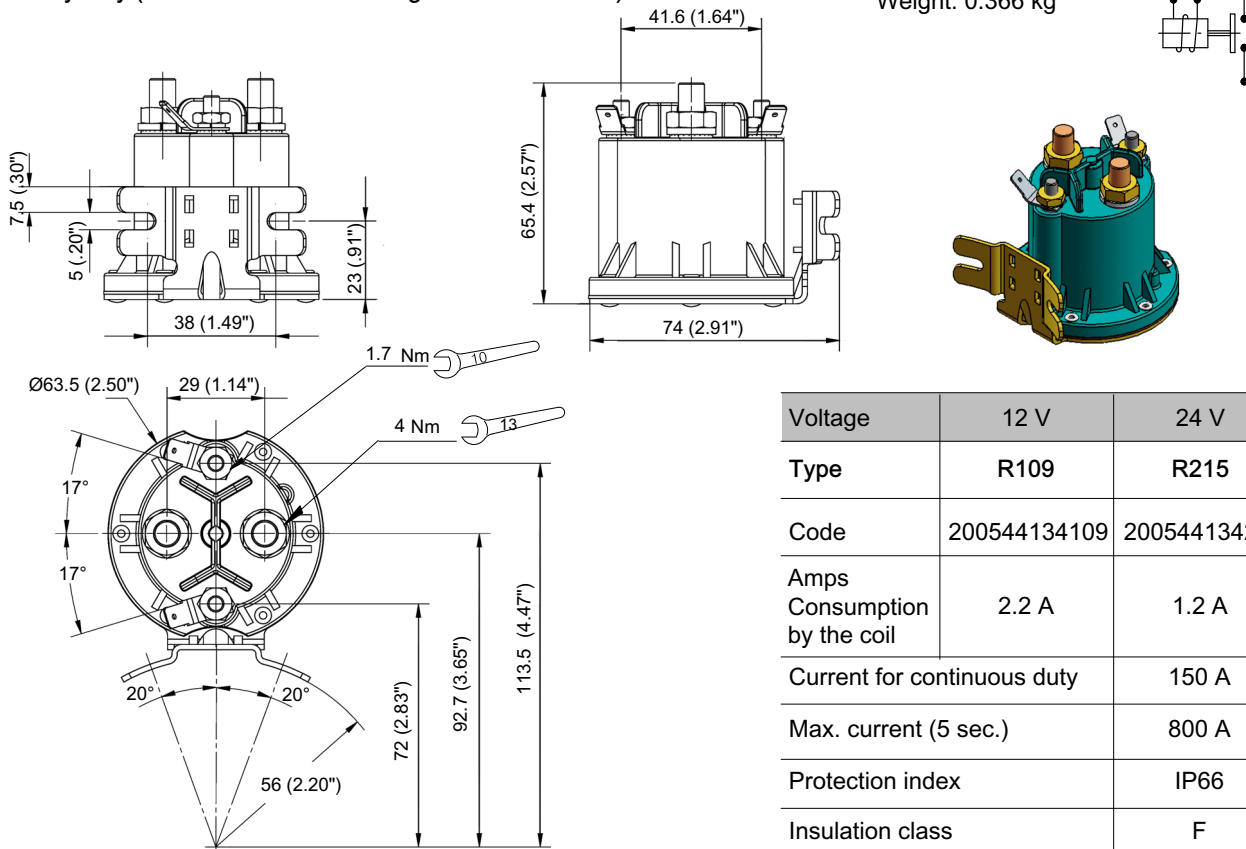
Electrical diagram

A typical arrangement for connection of the relay to the electric motor is shown in the diagram.



Heavy duty (STANDARD for wide range of DC el. motors)

Weight: 0.366 kg

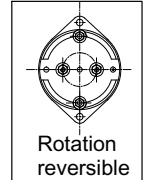
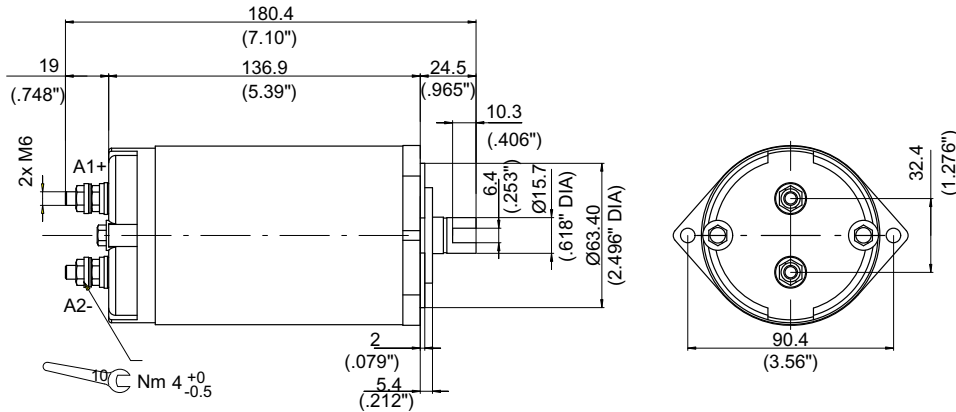


Voltage	12 V	24 V
Type	R109	R215
Code	200544134109	200544134215
Amps Consumption by the coil	2.2 A	1.2 A
Current for continuous duty		150 A
Max. current (5 sec.)		800 A
Protection index		IP66
Insulation class		F

Voltage	Nominal Power
12 V	500 W
24 V	500 W

Protection index: ..... IP54  
 Insulation class: ..... F  
 Type of winding: ..... Permanent magnets  
 Rating output power ..... : 500 W  
 Character of work: ..... S2 5 min, S3 17%

Weight: 2.50 Kg (4.96 lb)

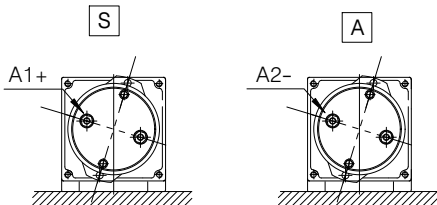


**Attention!**  
 Utilising unidirectional pump, verify the connection. The motor must rotate clockwise (CW)

	Motor		Motor with relay	
Rotation Reversible				
Type	C120PD/C0	C220PD/C0		
Code	200543912003	200543922004		
Relay				
Relay type				

Motor mounting position

Standard positions



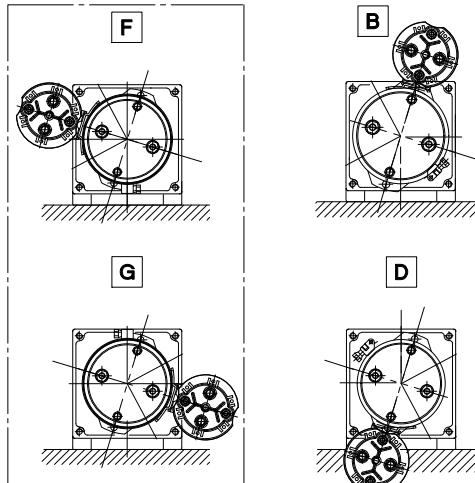
	Electric motor							Pos.		
5	C	1	2	0	P	D	/	C	0	S

Example

	Relè				Pos.

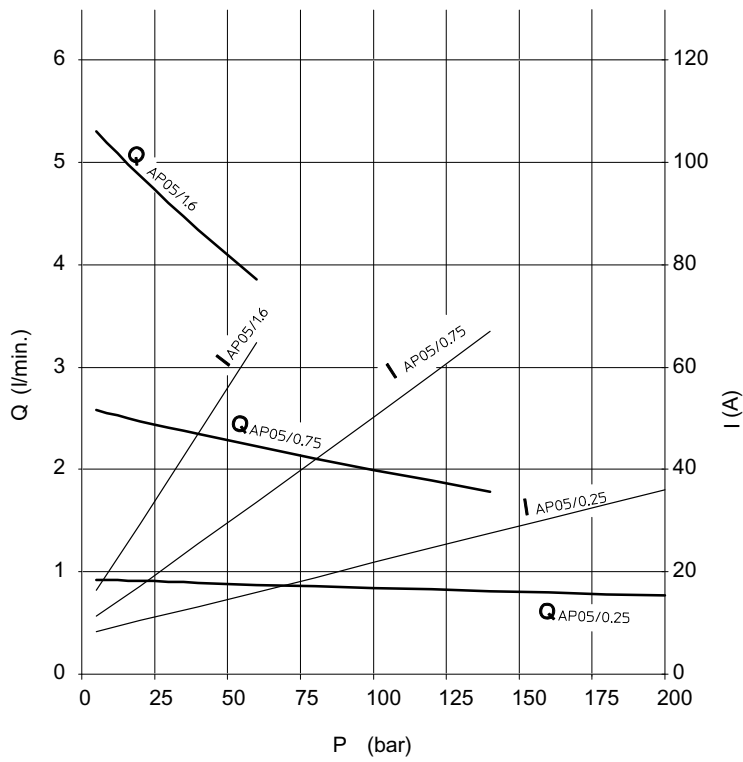
Relay mounting positions

Standard positions

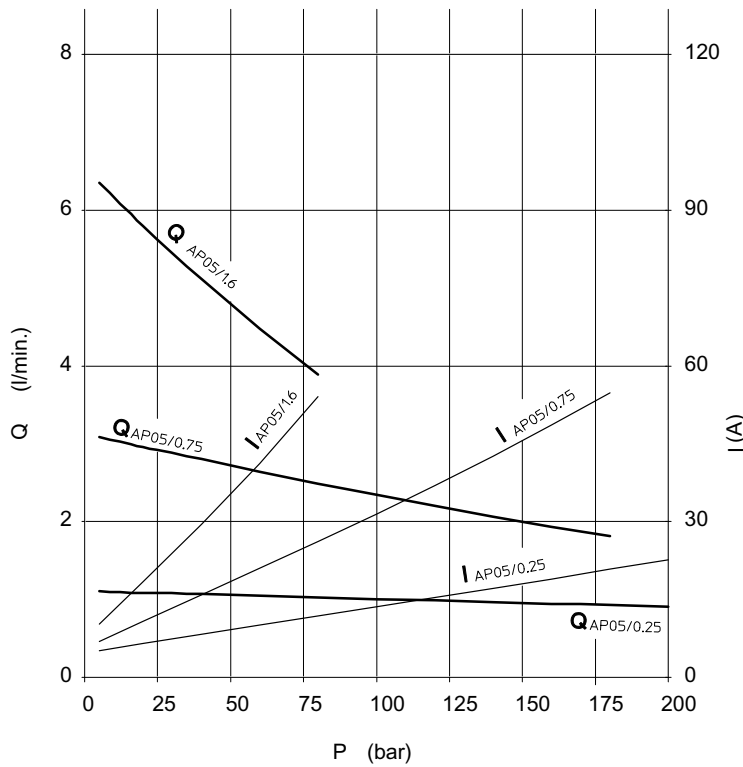




## 12 V - 500 W

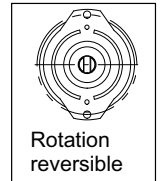
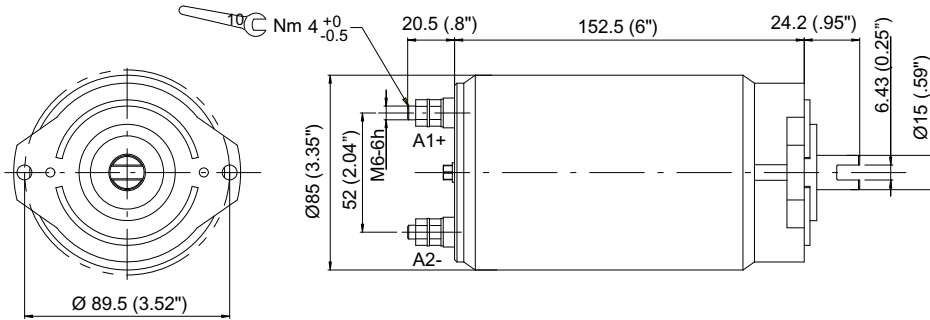


## 24 V - 500 W



Voltage	Nominal Power
12 V	800 W
24 V	800 W

Protection index: ..... IP54  
 Insulation class: ..... F  
 Type of winding: ..... Permanent magnets  
 Relay fixing kit ..... 200709000090  
 Minimum brushes length: ..... 5 mm (0.2 inches)



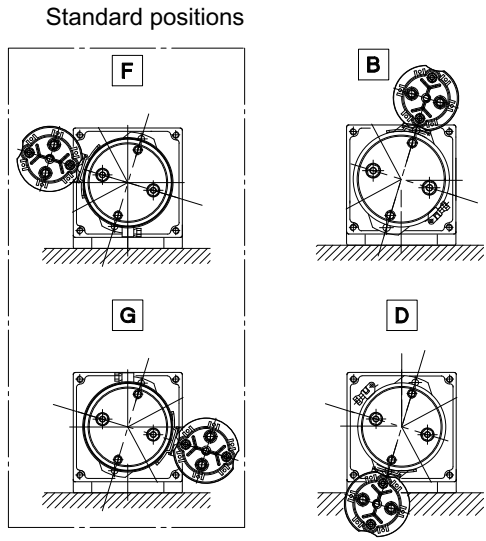
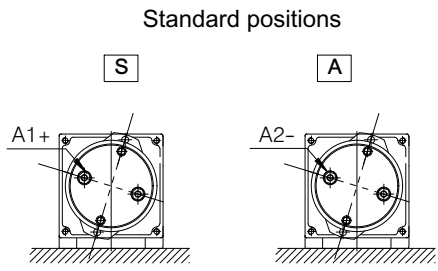
**Attention!**  
 Utilising unidirectional pump, verify the connection. The motor must rotate clockwise

Weight: 3.70 Kg (8.15 lb)

Rotation reversible	Motor		Motor with relay		3D Model
	12V-800W	24V-800W	12V-800W	24V-800W	
	C128PK/A0	C228PK/A0	C128PK/A0 + R109	C228PK/A0 + R215	
Type					
Code	200543912809	200543922801	200763310270	200763320300	
Relay			Standard		
Relay type			R109	R215	

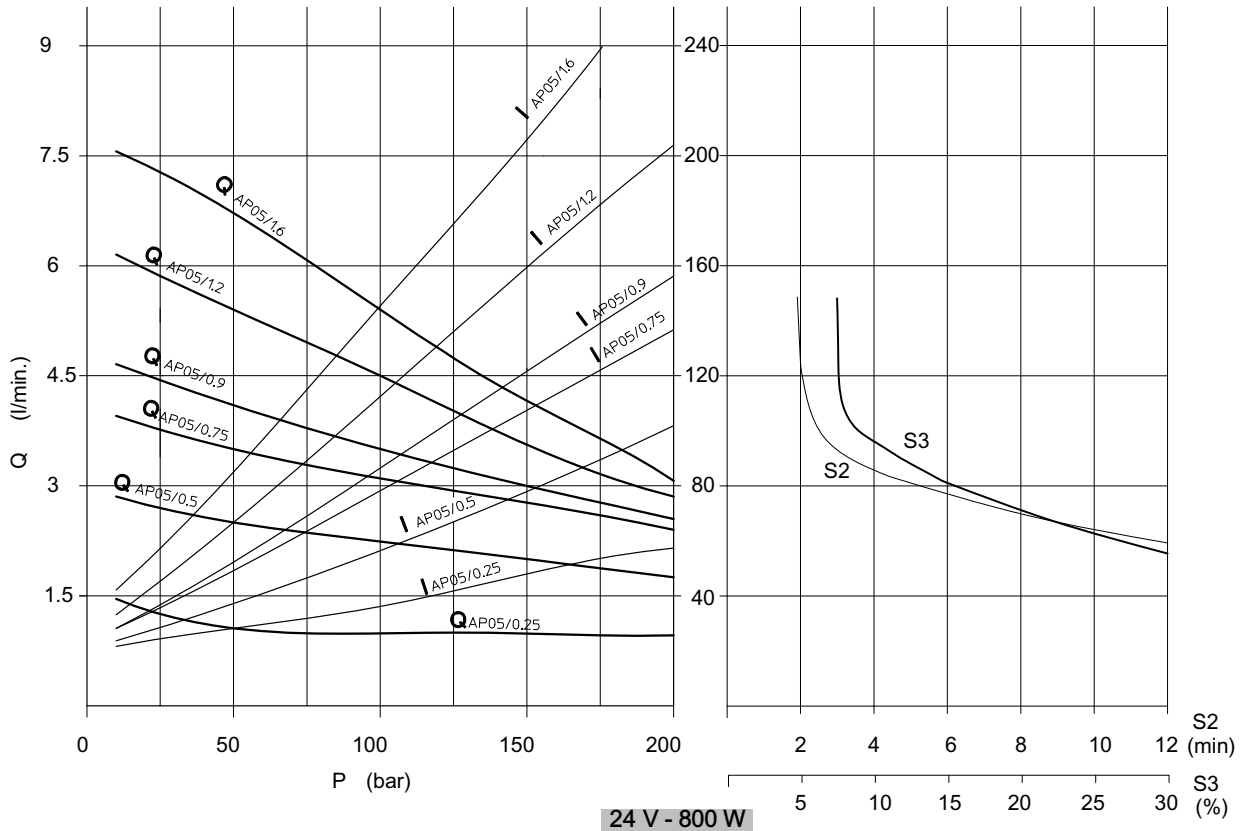
Motor mounting position

Relay mounting positions

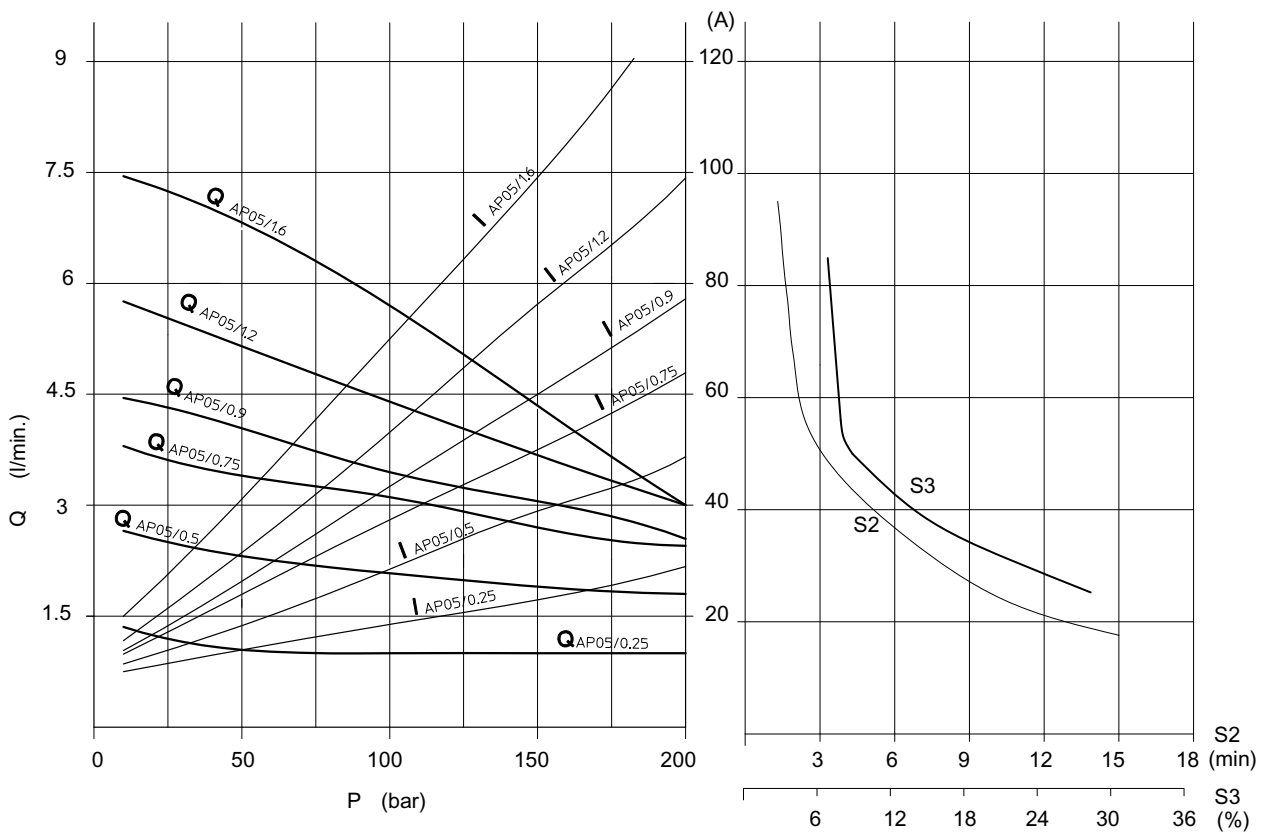


5	C	2	2	8	P	K	/	A	0	S
Electric motor										Pos.
Example										
	R	2	1	5						F
Relè										Pos.

**12 V - 800 W**  
I (A)

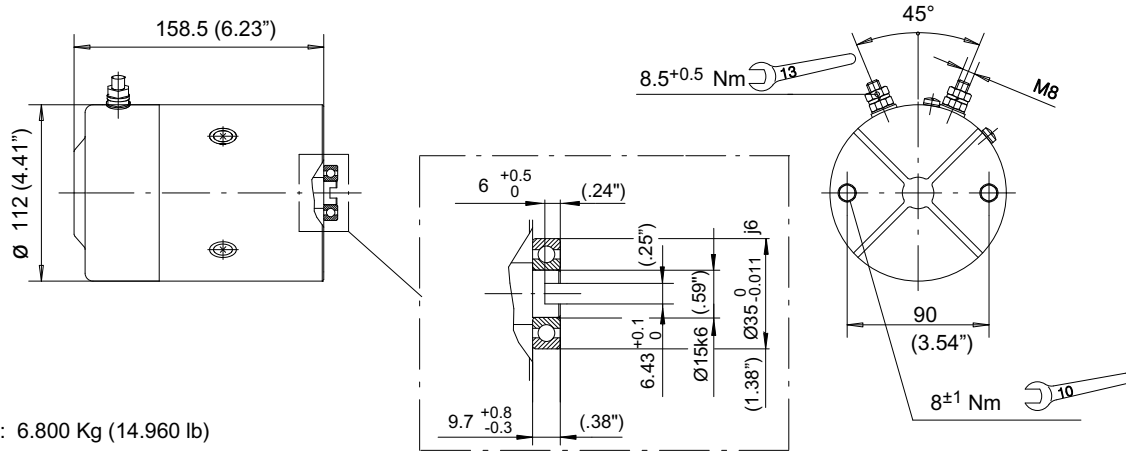


**24 V - 800 W**  
(A)



Voltage	Nominal Power
12 V	1600 W
24 V	2200 W

Protection index: ..... IP44  
 Insulation class: ..... F  
 Type of winding: ..... Compound  
 Brushes kit: ..... (12/1600) 200544138022  
 ..... (24/2200) 200544138023  
 Minimum brushes length: ..... 12.5 mm (0.5 inches)



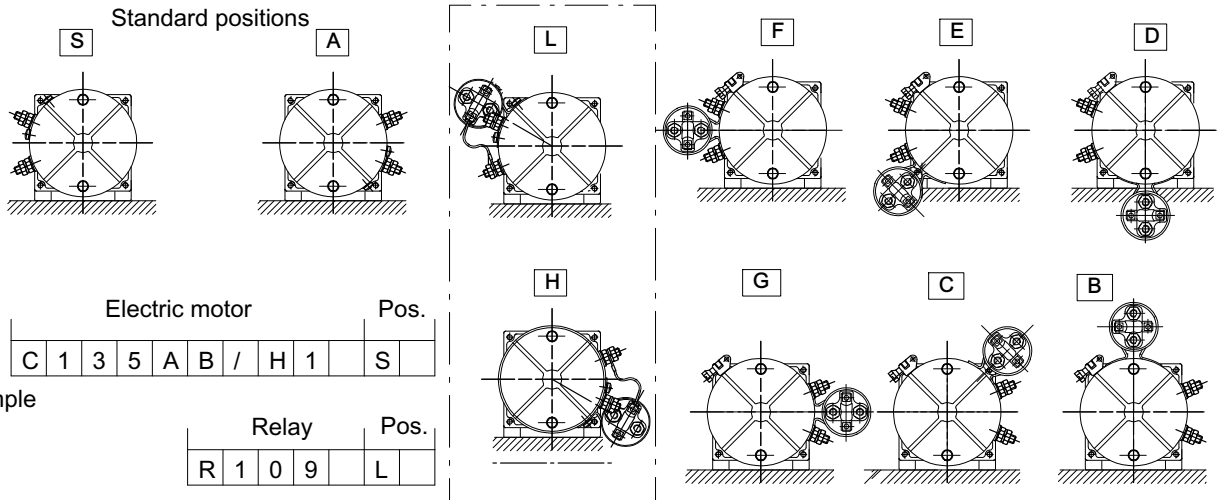
Weight: 6.800 Kg (14.960 lb)

Rotation Right	Motor		Motor with relay		Image
Type	C135AB/H0	C240AB/S0	C135AB/H0 +R109	C240AB/S0 +R215	
Code	200543913706	200543924007	200763310240	200763320330	
Relay			Standard		
Relay type			R109	R215	
	12V-1600W	24V-2200W	12V-1600W	24V-2200W	

Motor mounting positions

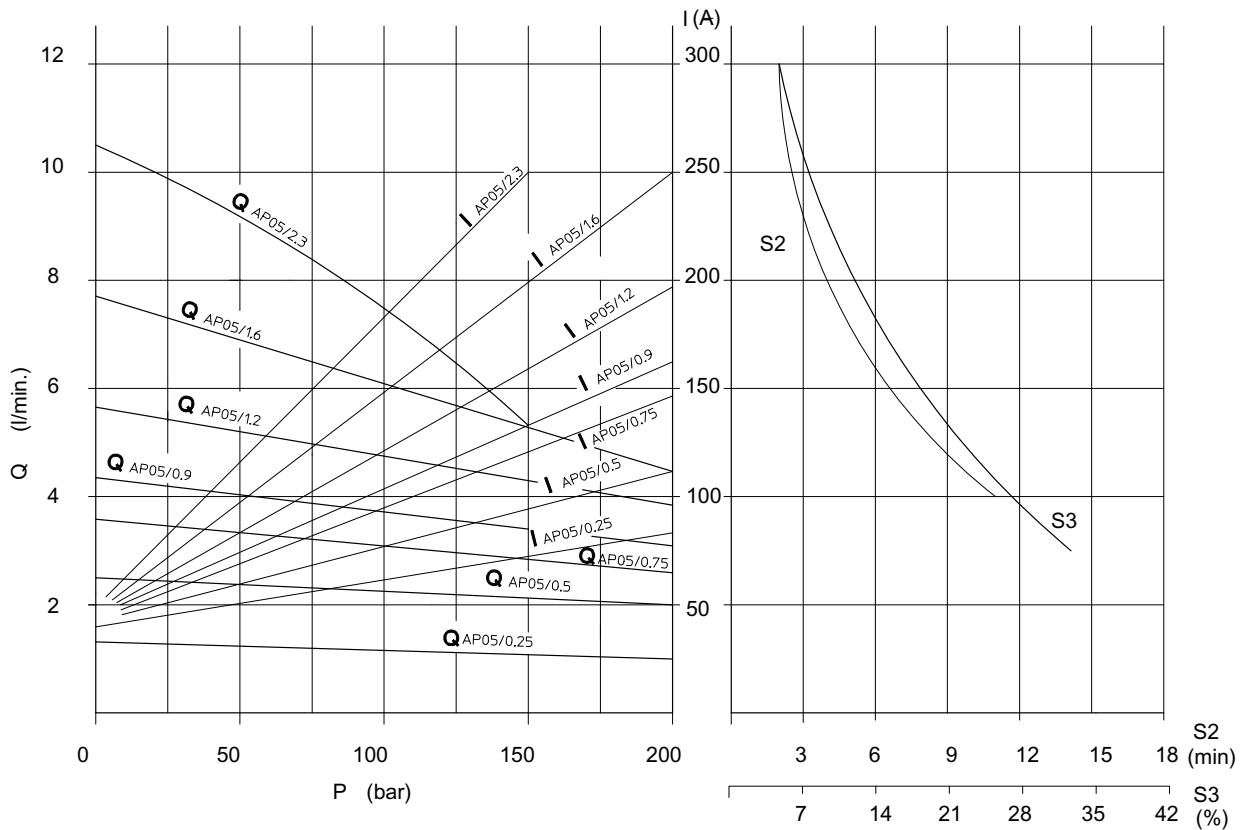
Standard positions

Relay mounting positions

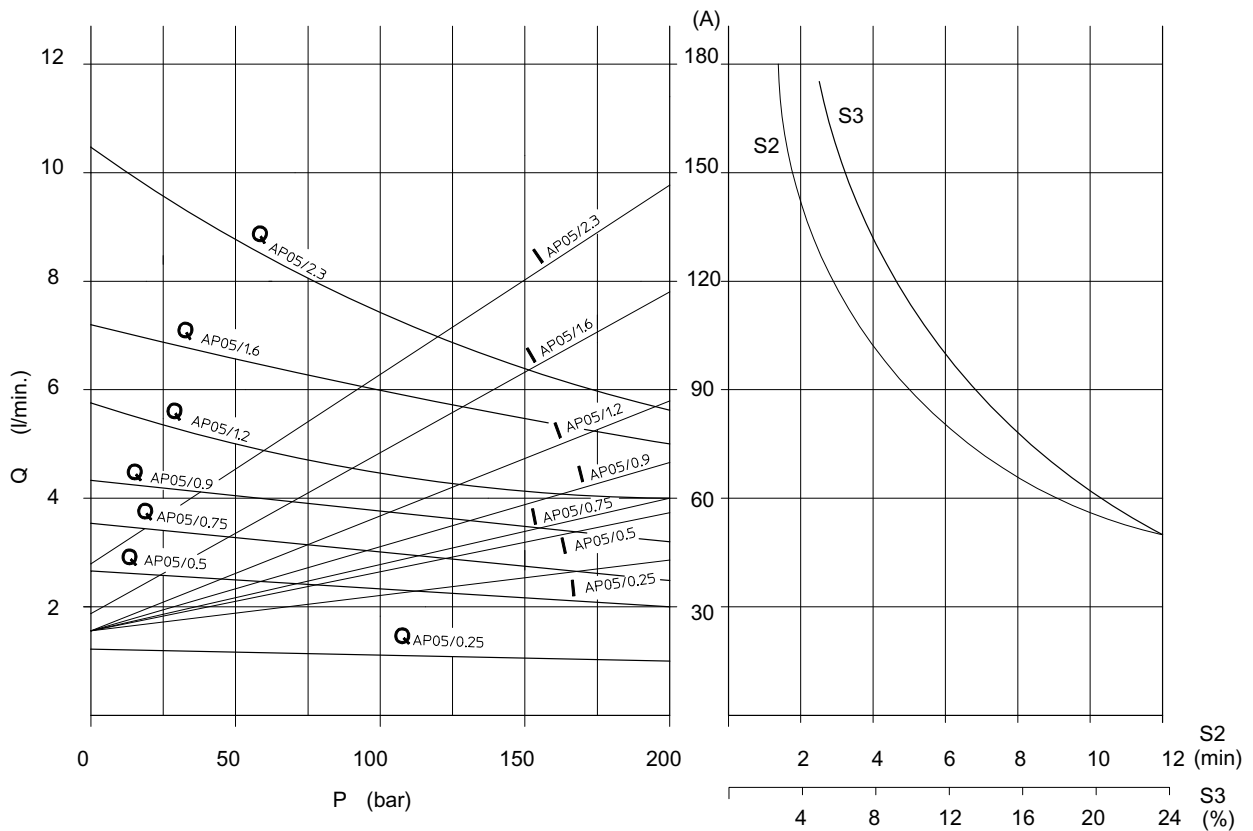


5	Electric motor							Pos.		
	C	1	3	5	A	B	/	H	1	S
Example	Relay							Pos.		
	R	1	0	9				L		

## 12 V - 1600 W

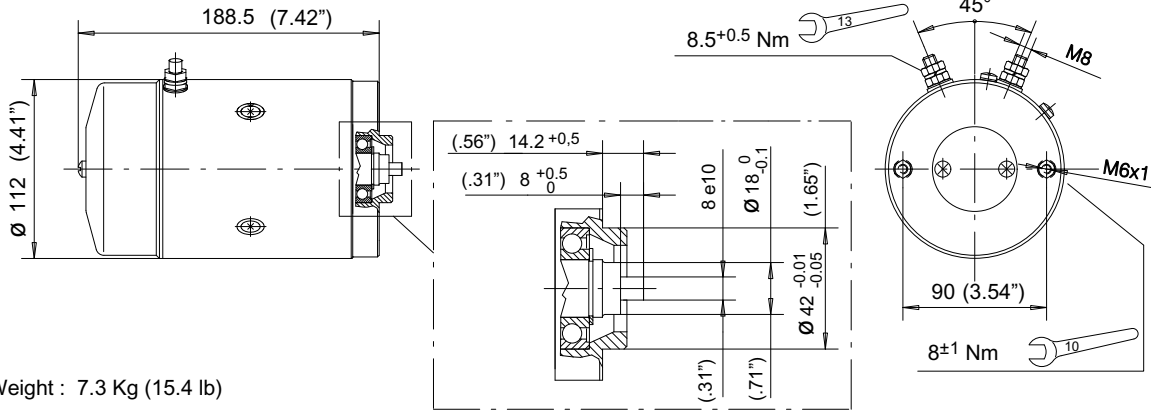


## 24 V - 2200 W



Voltage	Nominal Power
12 V	1500 W
24 V	2000 W

Protection index: ..... IP54  
 Insulation class: ..... F  
 Type of winding: ..... Compound  
 Brushes kit: ..... (12/1500) 200544138016  
 ..... (24/2000) 200544138015  
 Minimum brushes length: ..... 12.5 mm (0.5 inches)

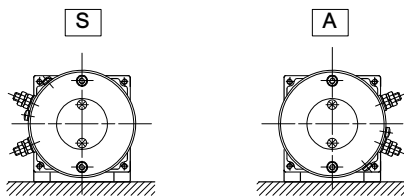


Weight : 7.3 Kg (15.4 lb)

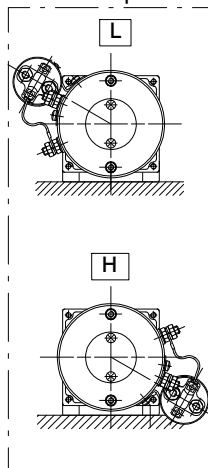
	Motor		Motor with relay		
Rotation Right					
Type	12V-1500W	24V-2000W	12V-1500W	24V-2000W	
Code	C134AK/O0	C238AK/P0	C134AK/O0 + R109	C238AK/P0 + R215	
Code	20054391341 6	20054392381 3	20076331026 0	20076332025 0	
Relay			Standard		
Relay type			R109	R215	

Motor mounting positions

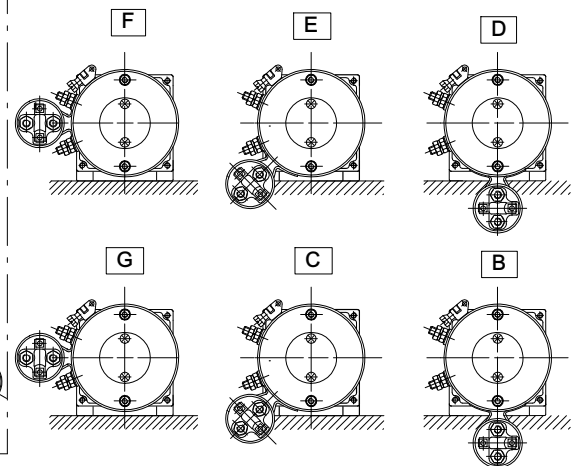
Standard positions



Standard positions

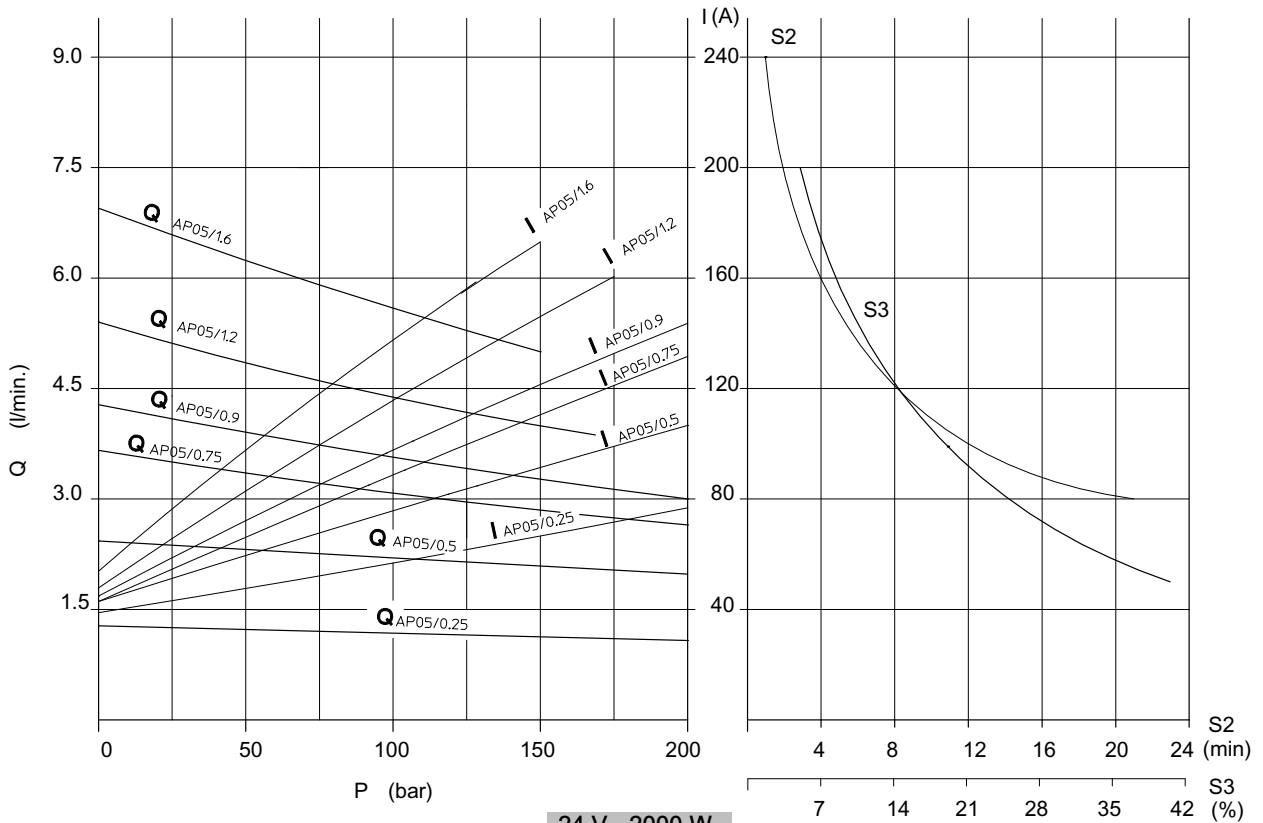


Relay mounting positions

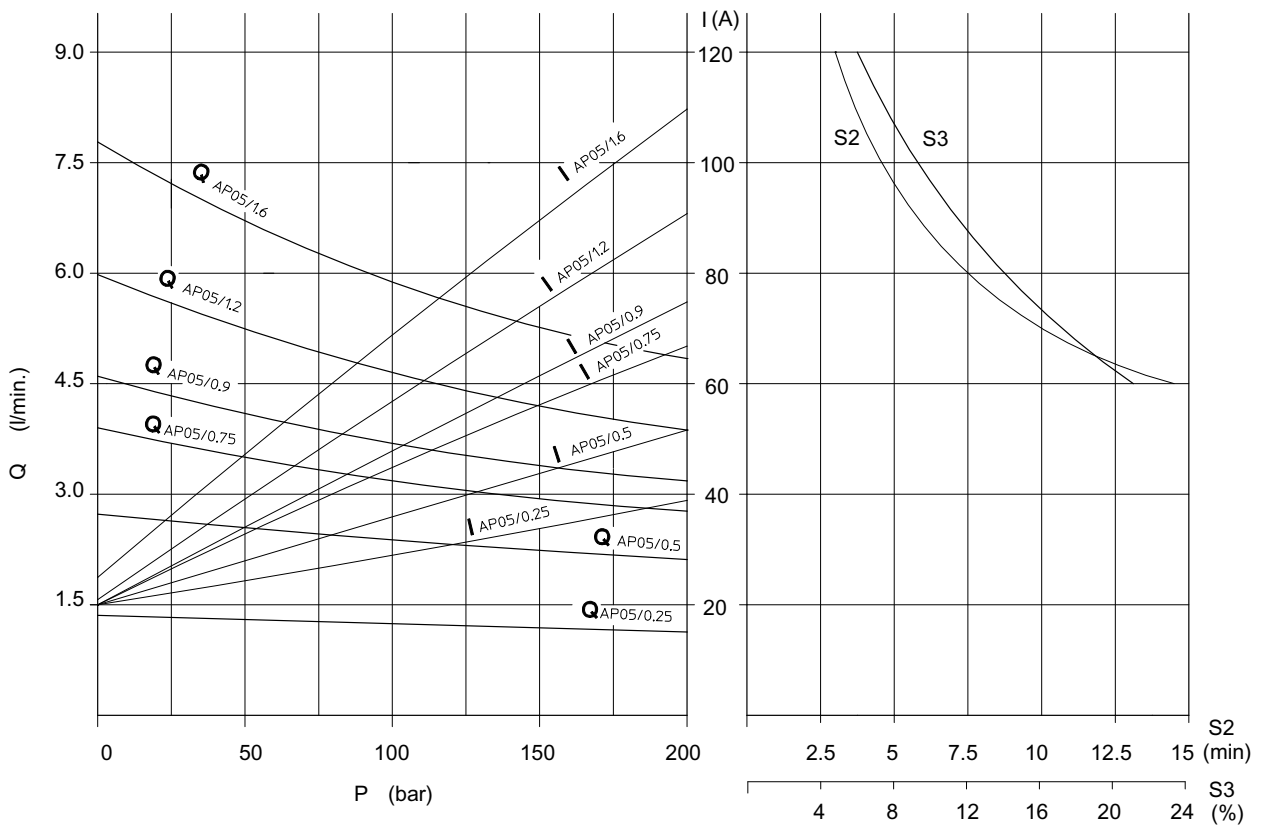


	Electric motor						Pos.
5	C	1	3	4	A	K / O 0	S
Example	Relay						Pos.

## 12 V - 1500 W



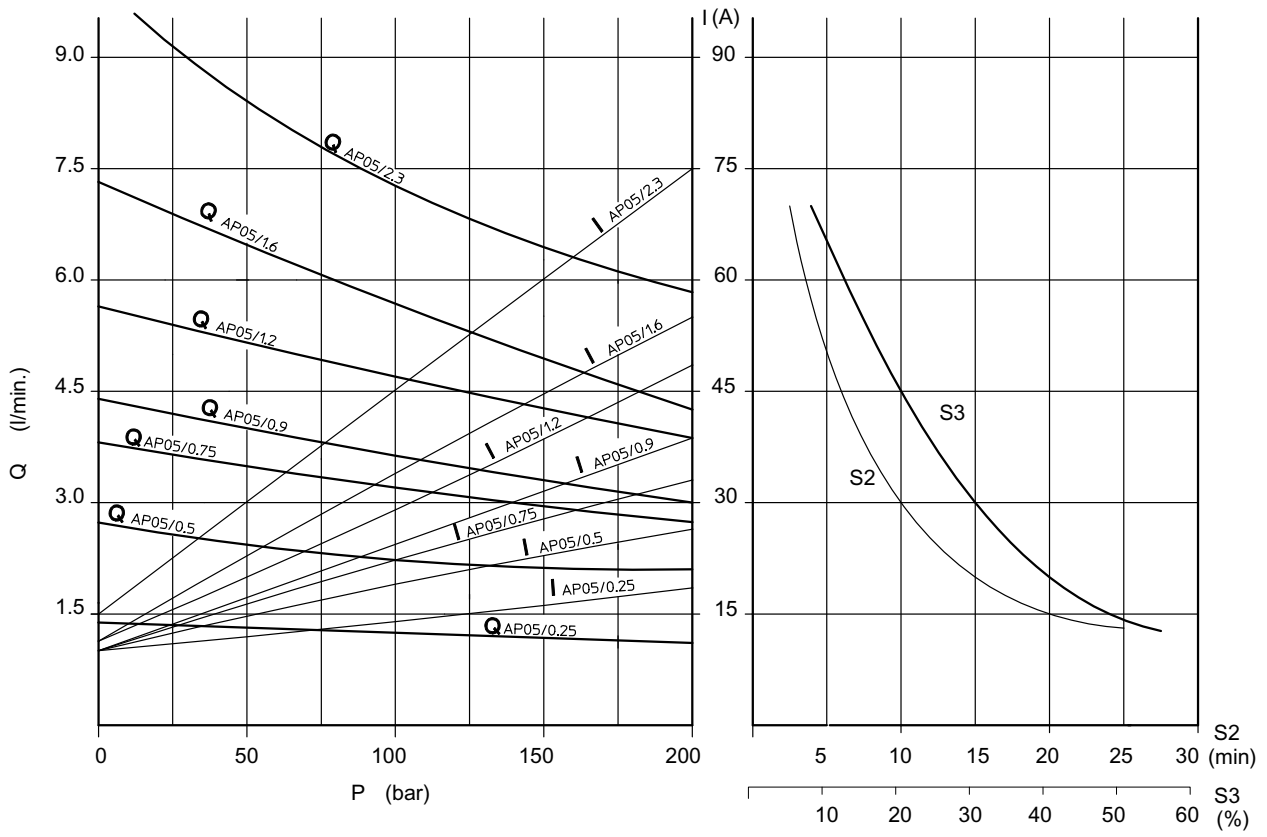
## 24 V - 2000 W







48 V - 2000 W



## 5.2 A.C. Motors

### 5.2.1 Technical information

#### Versions:

Electric motors supplied by Bucher Hydraulics S.p.A. respond to European Standard EN60034-1 (IEC-3, CEI2-3, VDE 0530T1).

Available power ratings: 0.25 ÷ 4 kW

Single phase motor: 230V ±5% - 50 Hz

Three phase motor: 230/400V ±10% - 50 Hz

European standard IEC38 (1983) envisages the unification of supply voltages, adopting 230 V for single phase and 400 V for three phase. Motors responding to this standard are available only by request: consult our Bucher Hydraulics.

#### Protection factor

Standard electric motors are specified:

Protection degree: IP54 (IP55 on request)

Insulation class: F (max 105°).

#### Type of duty

All motors can be supplied rated for continuous duty S1 or intermittent duty S3<80%.

With respect to the European Standard IEC 60034-30:2008 all motors rated for continuous duty S1, will be manufactured according to IE2 Efficiency class

#### Efficiency class:

All motors respond to European standard IEC 60034-30:2008. This means all the motors between 0,75 kW and 375 kW both 2 and 4 poles, rated for continuous duty S1 or intermittent duty S3≥ 80%, are in IE2 Efficiency class.

#### Speed of rotation

The nominal speed of rotation for A.C. motors is calculated by the following formula:  $n = (60 \cdot f) / P$

f= frequency (50 Hz for EU / 60 Hz for USA)

P= pair of poles

A 4 poles motor has 1500 rev/min as nominal speed

#### Pole number:

Indicated motors are 4 pole type, but Bucher Hydraulics S.p.A. can supply 2 pole motors too.

Please ask Bucher Hydraulics.

#### Size

The size designation gives the main dimensions for the standard electric motors: shaft dimensions, type of flange, max diameter, etc. A specific table shows the essential dimensions corresponding to each standard size.

The electric motors with direct flange have their own dimensions especially the front flange.

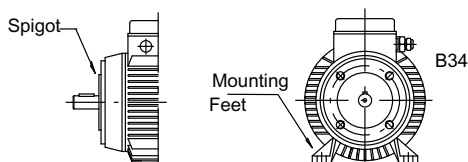
#### Frame size

Standard option:

Standard motors have B34 frame so mounting flange with spigot, tapped fixing holes and motor fixing feet.

B14 frame is also available on request (as B34 but without motor fixing feet).

Direct flange motors are delivered without fixing feet (B14 style).



#### Ventilation:

All the motors (standard and direct flange) can be available with or without ventilation. Normally the direct flange motors are delivered without ventilation.

Important to say that motors without ventilation can not be rate for continuous duty S1.

#### Starting single phase motors

Standard single phase motors have a permanently connected run capacitor. Where starts are made on-load or in especially heavy-duty condition, requiring a starting torque higher than the nominal torque, single phase induction motors can be supplied, by request, with a dual capacitor arrangement: a start capacitor, disconnected by an automatic cutout once the motor is up to speed, and a permanently connected run capacitor, or hydraulic circuit with decompression valve assembled on the pump.

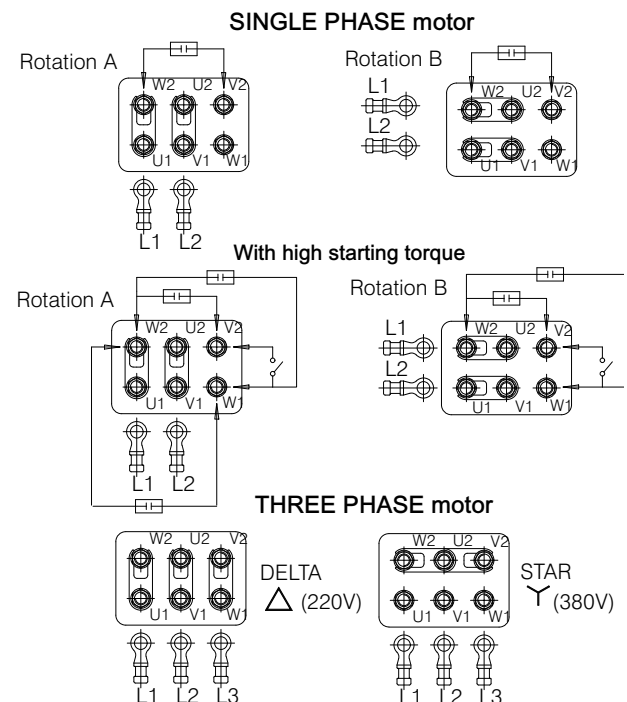
Please consult Bucher Hydraulics.

#### Electrical diagrams

The following illustration shows a number of connection diagrams for single phase and three phase electric motors.

The terminal boxes used for these motors respond to NFC 51-120 (IEC34-8) and have 6 power terminals.

A terminal is also provided for the earth wire, which must always be connected



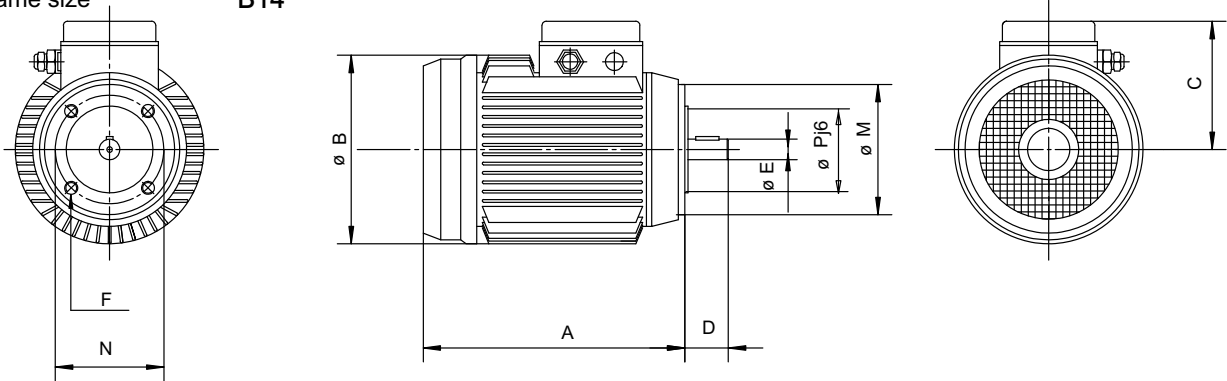
Three phase motors: with terminals U1-V1-W1 connected respectively to phases L1-L2-L3 of supply, the motor will rotate clockwise (as viewed from the shaft end).

Bucher Hydraulics S.p.A. is not an electric motors manufacturer so these components come from third part. Bucher Hydraulics S.p.A. reserves the right to change the motor supplier whenever considers it necessary without notice.

5.2.2 Standard interface (flange/drive needed)

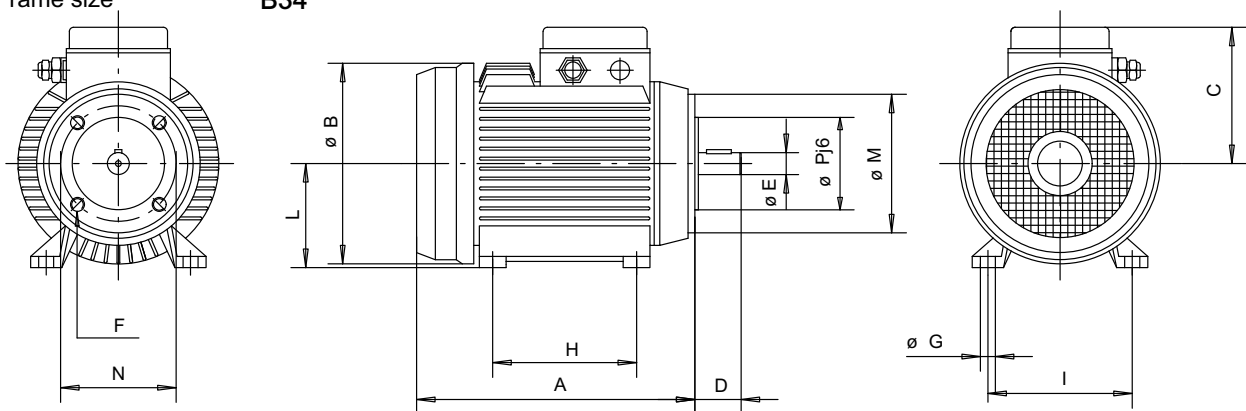
Frame size

**B14**



Frame size

**B34**



Size	Dimensions													
	Units	A	B	C	D	E	F	G	H	I	L	M	N	P
63	mm	189	124	104	23	11	M5	7	80	100	63	90	75	60
	inch	7.44	4.88	4.09	.90	.43		.28	3.14	3.93	2.48	3.54	2.95	2.36
71	mm	218	140	109	30	14	M6	7	90	112	71	105	85	70
	inch	8.58	5.51	4.29	1.18	0.55		0.27	3.54	4.41	2.79	4.13	3.35	2.76
80	mm	237	156	123	40	19	M6	9	100	125	80	120	100	80
	inch	9.33	6.14	4.84	1.57	0.75		0.35	3.94	4.92	3.15	4.72	3.94	3.15

5.2.3 Standard interface 4 pole - 50 Hz - 230 V

Frame size B14 SINGLE PHASE motor				
Power		Size	Type	Code
kW	HP			
0.12	0.16	63	T211	200543160411
0.18	0.25	63	T212	200543160811
0.25	0.33	71	T209	200543161221
0.37	0.5	71	T201	200543161823
0.55	0.75	80	T202	200543162231
0.75	1	80	T203	200543162631

Frame size B34 SINGLE PHASE motor				
Power		Size	Type	Code
kW	HP			
0.12	0.16	63	T711	200543160412
0.18	0.25	63	T712	200543160812
0.25	0.33	71	T709	200543161223
0.37	0.5	71	T701	200543161822
0.55	0.75	80	T702	200543162233
0.75	1	80	T703	200543162633

## 5.2.4 Standard interface 4 pole - 50 Hz - S1 - 230/400 V

Frame size B14 THREE PHASE motor					
	Power		Size	Type	Code
	kW	HP			
	0.12	0.16	63	T011	200543560411
	0.18	0.25	63	T012	200543561041
	0.25	0.33	71	T009	200543561221
	0.37	0.5	71	T001	200543561821
	0.55	0.75	80	T002	200543562231
IE2 eff.class	0.75	1	80	T003	200543562635

Frame size B34 THREE PHASE motor					
	Power		Size	Type	Code
	kW	HP			
	0.12	0.16	63	T511	200543560442
	0.18	0.25	63	T512	200543561011
	0.25	0.33	71	T509	200543561222
	0.37	0.5	71	T501	200543561822
	0.55	0.75	80	T502	200543562232
IE2 eff.class	0.75	1	80	T503	200543562634

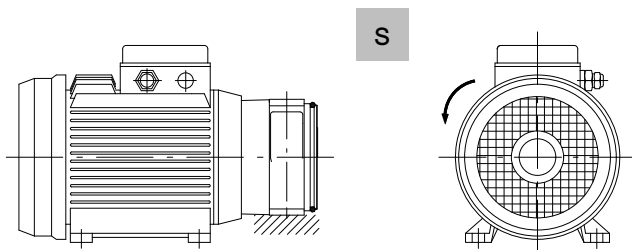
## 5.2.5 Standard interface 4 pole - 50 Hz - S3=70% - 230/400 V

Frame size B14 THREE PHASE				
Power		Size	Type	Code
kW	HP			
0.75	1	80	T003	200543562631

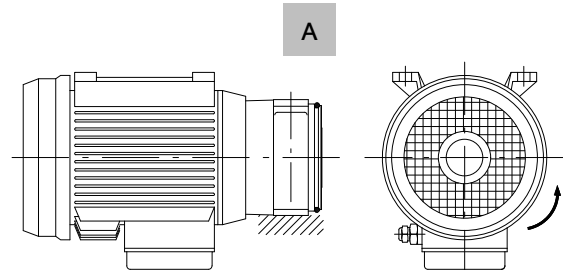
Frame size B34 THREE PHASE				
Power		Size	Type	Code
kW	HP			
0.75	1	80	T503	200543562632

## 5.2.6 Mounting position

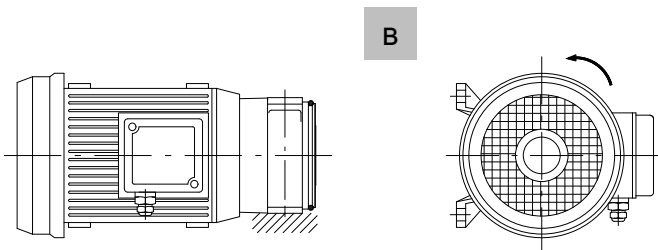
Standard position



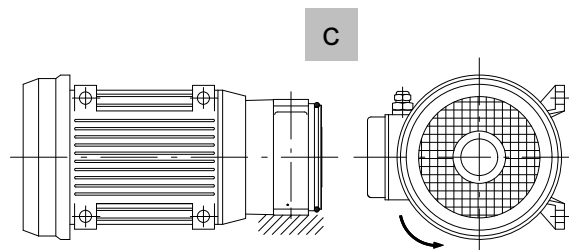
Reversal position



Left lateral



Right lateral



Example	Electric motor	Pos
5	T 5 0 3	S

Relay	Pos

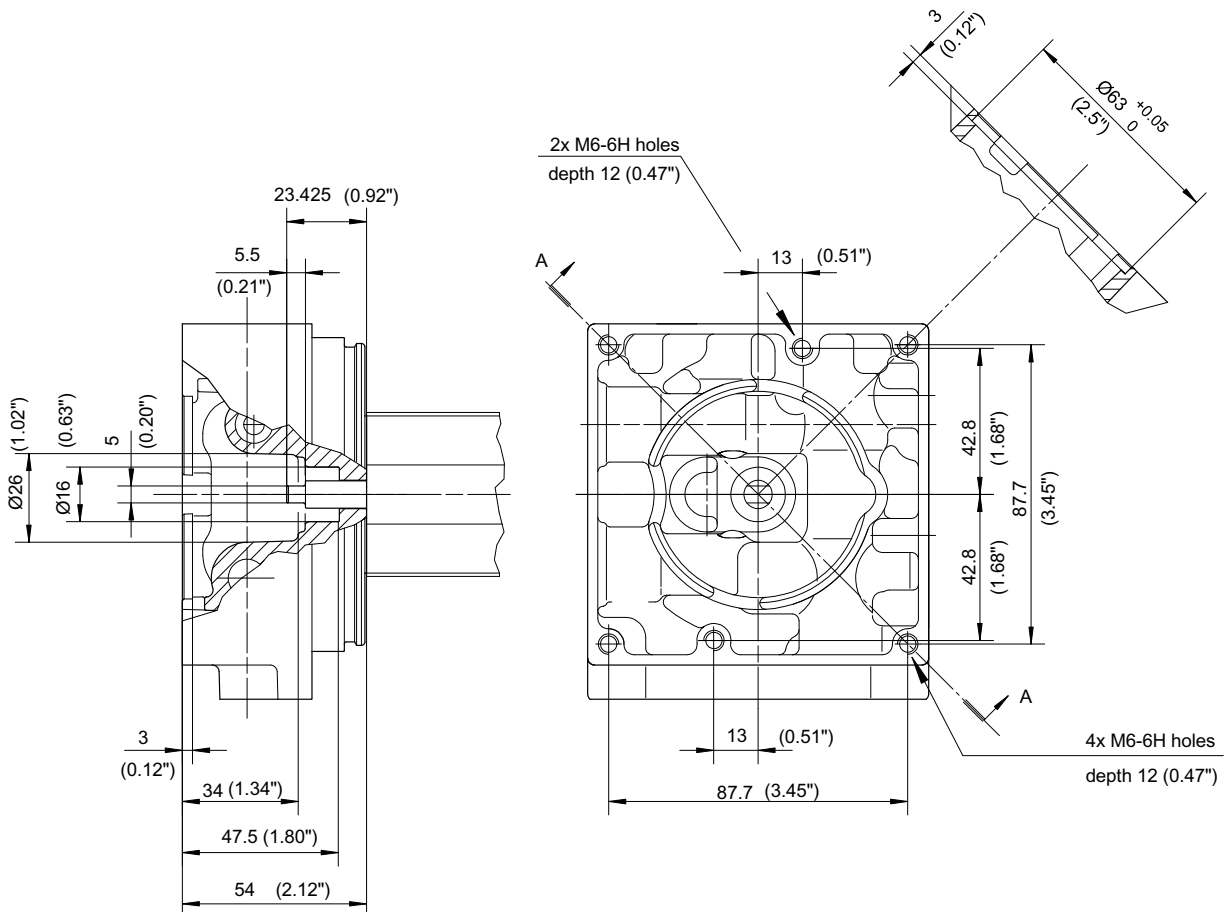
N.B.: Looking at the fan side the e. motor must rotate counterclockwise

## 6 Drives

### 6.1 Introduction

The drives illustrated in this chapter are intended for use in conjunction with D.C. and A.C. motors as described in the previous chapter.

To allow the use of different motors, the interface on the motor side is shown with the dimensions of the spigot and of the end of the pump drive shaft.



### 6.2 Materials

The flanges for connection of the power pack housing and electric motor are in aluminium alloy.

Couplings are high strength steel, with mating surfaces hardened by heat treatment for added resistance to wear.

### 6.3 Drives for D.C. motors

The tables allow selection to select the correct drive in function of the selected motor.

Motor type		Voltage	Power	Type
C120PD/C0		12 V	500W	E61
C220PD/C0		24 V	500W	
C128PK/A0	C134AK/O0 + R109	12 V	800W	
C228PK/A0	C228PK/A0 + R215	24 V	800W	
C134AK/O0	C134AK/O0 + R109	12 V	1500W	E65
C238AK/P0	C238AK/P0 + R215	24 V	2000 W	
T82K		48 V	2000 W	
C135AB/H0	C135AB/H0 + R109	12 V	1600W	E66
C240AB/S0	C240AB/S0 + R215	24 V	2200 W	

### 6.4 Drives for A.C. motors

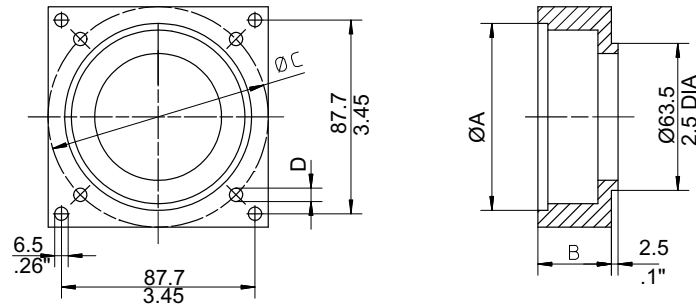
#### 6.4.1 Single phase

Motor type	Power		Size	Drive
	kW	HP		
T211-T711	0.12	0.16	63	E30
T212-T712	0.18	0.25		
T209-T709	0.25	0.33	71	E33
T201-T701	0.37	0.5		
T202-T702	0.55	0.75	80	E31
T203-T703	0.75	1		

#### 6.4.2 Three phase

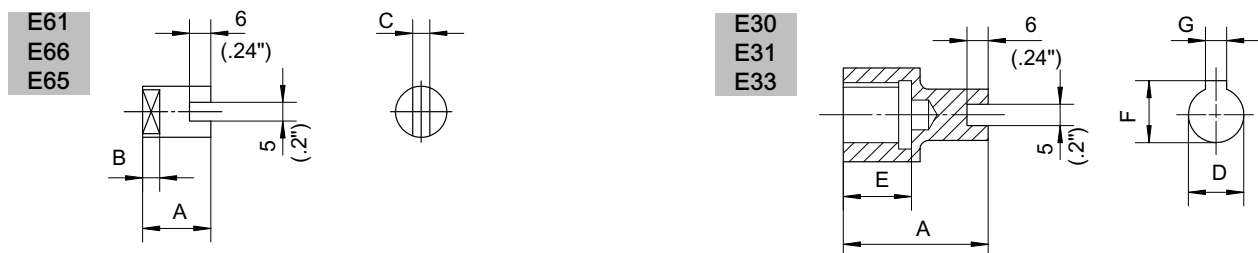
Motor type	Power		Size	Drive
	kW	HP		
T011-T511	0.12	0.16	63	E30
T012-T512	0.18	0.25		
T009-T509	0.25	0.33	71	E33
T001-T501	0.37	0.5		
T002-T502	0.55	0.75	80	E31
T003-T503	0.75	1		

## 6.5 Motor flanges



Drive system	Flange code	Dimensions							
		A (mm / inches)		B (mm / inches)		C (mm / inches)		D (mm / inches)	
E66	200658100180	98	3.85"	3	.12"	90	3.54"	6.5	.25"
E65	200658100170	42	1.65"	11.5	.45"	90	3.54"	M6	
E30	200658100080	60	2.36"	30	1.18"	75	2.95"	5.5	.22"
E33	200658100090	70	2.76"	30	1.18"	85	3.35"	6.5	.25"
E31	200658100070	80	3.15"	30	1.18"	100	3.94"	6.5	.25"

## 6.6 Couplings



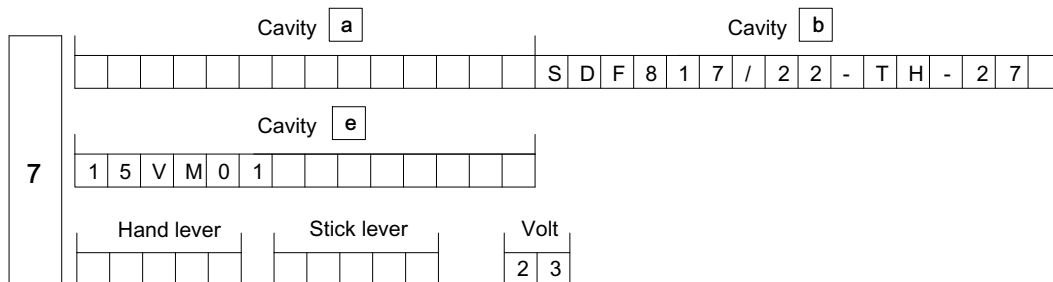
Drive system	Coupling code	Dimensions						
		A	B	C	D	E	F	G
E66	200659600340	34.5 1.36"	5.5 .22"	6.4 .26"				
E61	200659600110	15 .6"	5.5 .22"	6.4 .26"				
E65	200659600150	39.5 1.55"	7 .27"	8 .31"				
E30	200659400290	60 2.36"			11 .43"	18 .71"	12.7 .5"	4 .16"
E33	200659400300	55 2.17"			14 .55"	20 .79"	16.2 .64"	5 .2"
E31	200659400310	50 1.97"			19 .75"	25 .98"	21.7 .86"	6 .24"

## 7 Cartridge valves

### 7.1 Introduction

This chapter includes all technical information relating to valves for use in conjunction with the housings described in section 1.

Complete the designation codes for the selected valves ac-



ording to the technical information and guidelines given for each component. Illustrated here by way of example is a correct and complete compilation for section 7 of the hydraulic power pack designation form.

#### 7.1.1 Materials

Bucher Hydraulics cartridge valves are manufactured using steel of high mechanical strength. Friction and potential wear are minimized by special heat treatments. Surface heat treatments protect parts exposed to the external environment. Standard seals are NBR (Buna N), with backup ring in PTFE. For application requiring special compound FPM (Viton) etc. consult Bucher Hydraulics.

#### 7.1.2 Indication for use

Use mineral oil based hydraulic fluids to ISO/DIN standard, only. Recommended viscosity range: 20-120 mm<sup>2</sup>/s (cSt) maximum viscosity 700 mm<sup>2</sup>/s (cSt).

For different fluids and operating conditions, consult our Sales Dpt.

All valves showed in the present catalogue are marked with correct flow direction, please observe it always. Valves must never be tampered with or modified.

Any unwarranted interference may adversely affect the safety and correct operation of the entire system.

Seals and backup rings are user-serviceable.

The appropriate replacement kit is indicated for each valve. Before installing a valve in its cavity, ensure that the housing and all components of the system are clean.

Smear external seals lightly with grease, and check that any filters installed are correctly positioned.

Tighten the valve to the specified torque setting.

#### 7.1.3 General technical information

All valves with leakage-free operating characteristic are 100% factory tested.

Nonetheless, the guaranteed maximum leakage may be exceeded if the valve is installed in a system with inadequate filtration.

Pressure drops and general performance indicated in the catalogue are referred exclusively to the component.

In the case of valves subject to adjustable setting, such as the pressure relief and if not specified in the order, we set them according to standard setting values indicated at section 7.2.1.

#### 7.1.4 Solenoid valves

The correct selection of the solenoid valve is related to the maximum flow rate and operating pressure values.

In a system with a single acting cylinder, therefore, it must be considered that the effective rate of flow through the unloading solenoid valve is not the flow delivered by the pump, but rather the momentary flow exhausted from the cylinder, or the restricted flow needing a pressure-compensated flow control valve, if installed.

The nominal voltage is the value indicated on the solenoid.

Effective voltage must be measured at the terminals of the solenoid connector.

A maximum allowed tolerance of ±10% in relation to the nominal value is accepted.

Incorrectly power supply components and cables (which length has to be as shorter as possible) and/or low battery charge can cause not correct solenoid valve operation.

Standard solenoids valves are designed for D.C. operation. A.C. supply requires a connector with bridge rectifier included. When energized with A.C. voltage, the solenoids can operate at 50 or 60 Hz frequency, without distinction. The connection used for standard solenoids are to EN 175301-803 (DIN 43650).

Solenoid with different connections (Amp JuniorTimer, Direct Wiring, etc.) can be supplied on request, after agreement with Bucher Hydraulics.

The solenoid can be rotated through 360°, and the connector EN 175301-803 (DIN 43650) positioned at 90° intervals.

Specified performance datas were recorded in stabilized solenoid operated temperature and voltage at the -10% of the nominal value.

All solenoid valves are fitted with protective O-rings installed between the tube and the solenoid.

This protects internal parts from condensation and contaminants, which could cause malfunction.

Standard solenoids are not suitable for operation in environments where there is any risk of explosion (see Directives and standards)



## 7.1.5 General notes on D.C. power input

A swift and secure coupling is obtained using the special connector (type 200544110009).

The cable coming from the D.C. power source (batteries, rectified a.c. main supply, etc.) must be connected as indicated in the diagram (figure 1).

The negative and positive polarity of the wire need not be verified for connection purposes. The connector incorporates a terminal for earthing the solenoid.

It is important to check that the grommet and armour clamp nut are correctly assembled (figure 2), as this prevents the cable being wrenched from connector.

Fig. 1

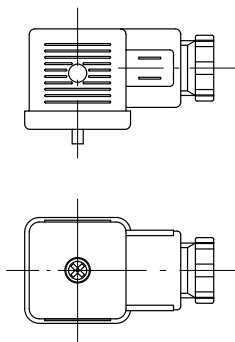
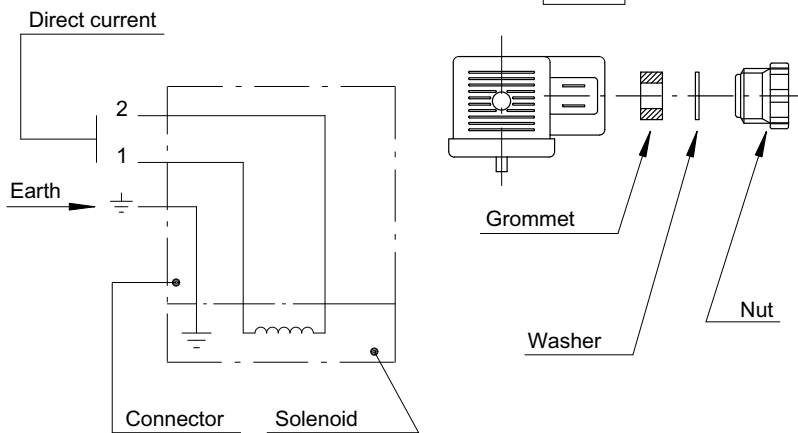


Fig. 2



## 7.1.6 General notes on A.C. power input

Solenoid valves can be operated off the A.C. mains supply using a special connector (type 200544110012) which converts the current to provide the D.C. input required by the solenoid.

The connector in question is identified by a symbol (figure 3) marked both on the top and on the bottom face.

The conversion from alternate to direct current is effected by a rectifier circuit comprising a four-diode bridge, and a voltage-dependent resistor (figure 4) protecting against over voltages in the power supply circuit.

Accordingly, the solenoid are designed to operate correctly only when connected to a diode bridge which reduces the input voltage by 10%.

The earth connection is made by way of the terminal provided.

Fig. 3

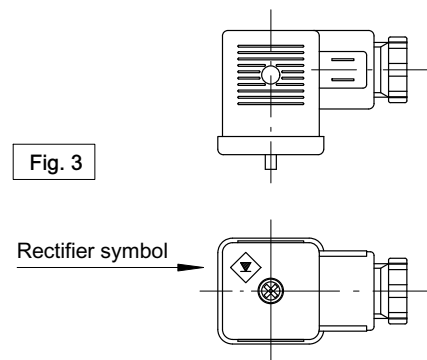
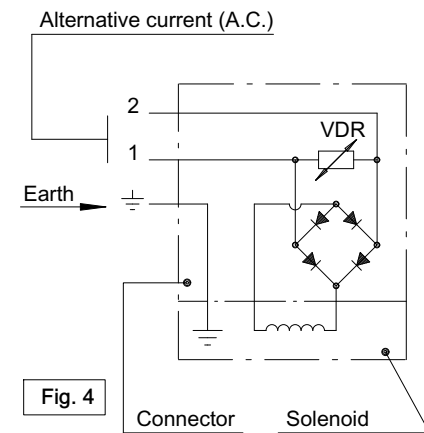
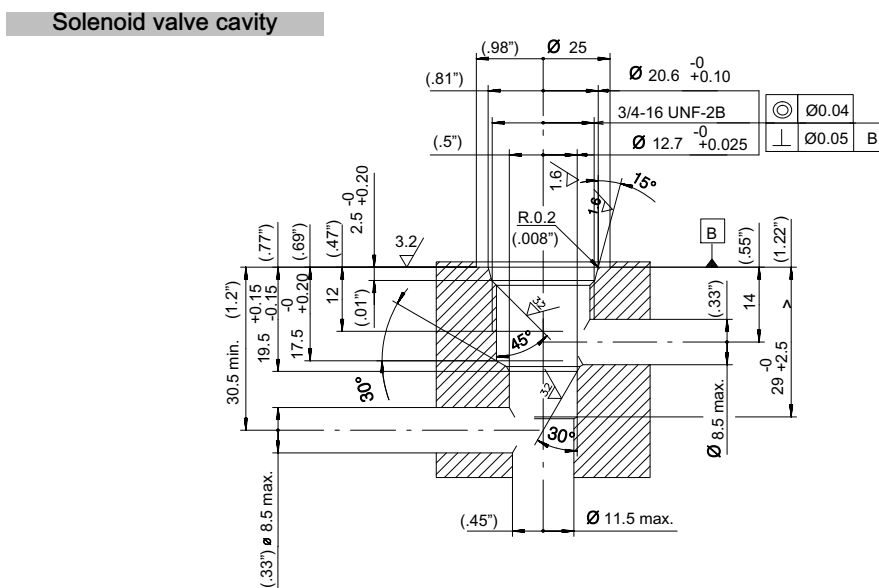
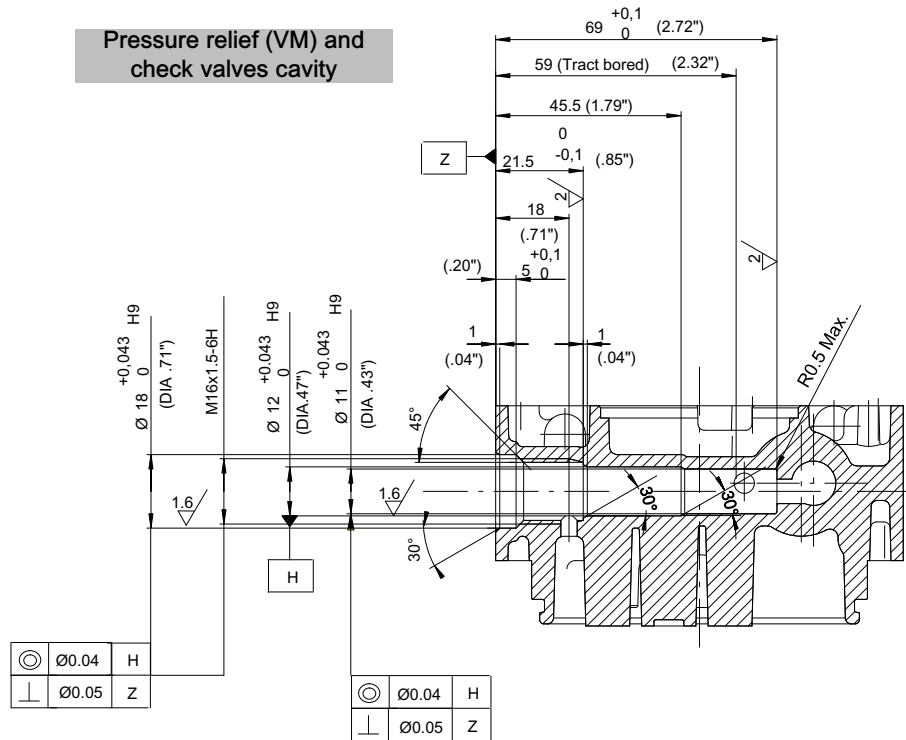


Fig. 4



For users wishing to make up special circuits and blocks with Bucher Hydraulics S.p.A. cartridge valves, it is import-

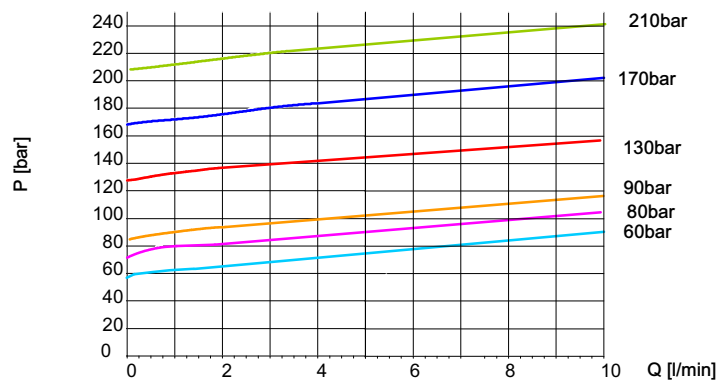
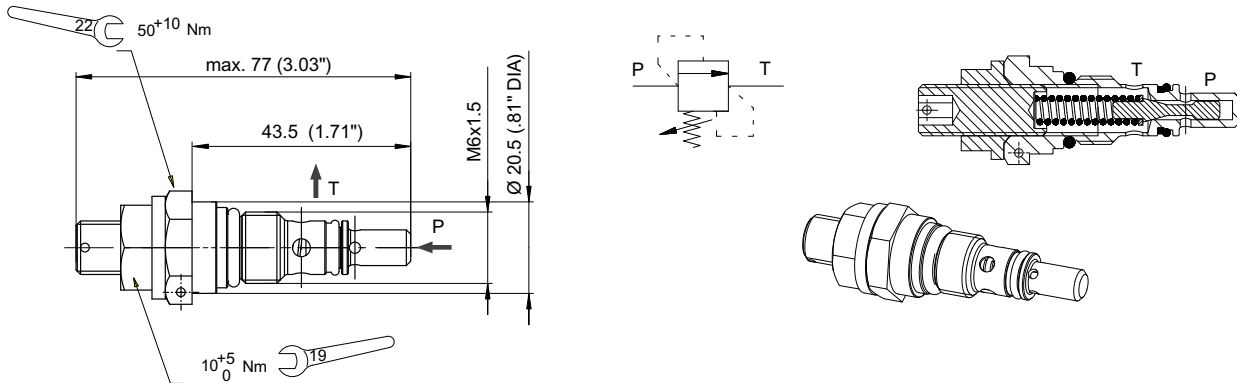
ant to observe the indications given below when machining the valve cavities.



## 7.2 Pressure relief valves

### 7.2.1 Pressure relief valve: \*\*VM01

Direct acting  
Balanced piston  
Adjustable setting  
Three setting ranges



The purpose of a relief valve is to keep the maximum system pressure at a safe level. When the hydraulic power unit is supplied with pressure relief valves, the correct calibration is provided by Bucher Hydraulics S.p.A. and there are no reasons to change this value.

When ordering, state in full the sheath part number, and, if the valve is to be supplied with sheath already fitted, the relief pressure setting required.

\*\*\* Maximum admitted pressure value: 210 bar when used into the diecast aluminium alloy body

Pressure setting

For present values other than those indicated, replace the first two digits of the designation with the setting required. For example, required setting 130 bar: designation type 13VM01. Always check that the required value falls within the standard ranges of adjustment

Performances	
Max. Flow rate	7 l/min.
Max. Pressure	210 bar
Weight	0.0852 kg
Oil viscosity	12 to 400 cSt
Oil temperature	-20 to 100 °C
Recomanded filtration	21/19/16 (10 NAS 1638)

Spring	Spring code	Setting range	Standard setting	Type	Code
00	-	Plugged	Without valve	00VC00	200778400200
03	200662400630	5 - 40 bar	30 bar	03VM01	200787400840
06	200662400780	45 - 80 bar	60 bar	06VM01	200787400850
15	200662400790	85 - 210 bar	150 bar	15VM01	200787400860

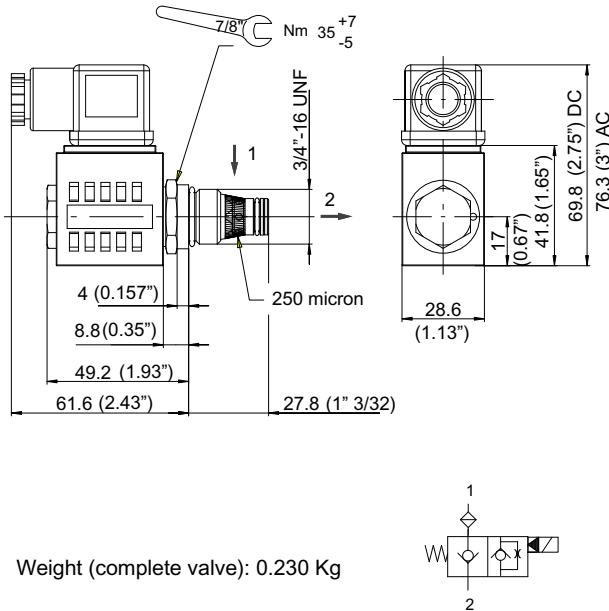
## 7.3 Solenoid operated directional valves

Circuit	Solenoid	Override	Type	Power	Description	Page
---------	----------	----------	------	-------	-------------	------

Normally closed	On-Off	Without manual override			Standard version		
			Piloted	standard (16 Watt)	<b>SPD817/22-TV</b>	Page 53	
			Direct acting	heavy duty (27 Watt)	SDF817/22-TH	Page 54	
		With manual override	Piloted	standard (27 Watt)	SPFE817/22-TV	Page 55	
			Direct acting	heavy duty (27 Watt)	SDFE817/22-TH	Page 57	
		Proportional	Without manual override	Piloted	standard (20-26 Watt)	PDF817/HSC	Page 61
Normally open	On-Off	Without manual override			Standard version		
			Piloted	standard (27 Watt)	<b>SPF817/22-TOV</b>	Page 56	
		With manual override	Piloted	standard (27 Watt)	SPFE817/22-TOV	Page 56	

## 7.3.1 Solenoid operated directional valve: SPD817/22-TV

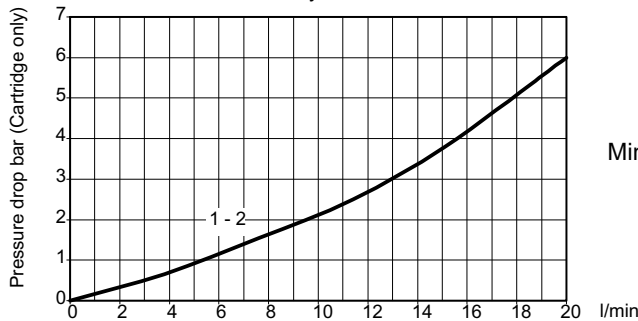
Normally closed  
Piloted - 16 W  
Poppet type  
Flow from 1 to 2



Weight (complete valve): 0.230 Kg

Electric performances	
Max. pressure	270 bar
Max. recommended pressure	230 bar
Max. flow	20 l/min.
Rated power	16 Watt
Intermittence	ED= 100%
Voltage tolerance	± 10%
Internal leakage	0-5 drops/min.
Temperature range	-20/+90 °C
Connector type	DIN 43650
Time to open 12 V 20 l/min 80% of final change of state	16 ms.
Time to close 12 V - 20 l/min 80% of final change of state	18 ms.
O-Ring replacement kit	200974200480

Oil: Viscosity 32Cst at 38°C



Minimum suggested working pressure = 5 bar

Directional valve without coil and connector

Type	Code
SPD817/22-TV P.M.	200757200930

Coil voltage - A.C. supply requires a connector with bridge rectifier included.

18 Watt	D.C.		A.C.		
	12 V.	24 V.	24 V.	110 V.	220 V.
Type	13	23	21	41	51

Complete solenoid valve for D.C. current

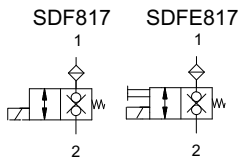
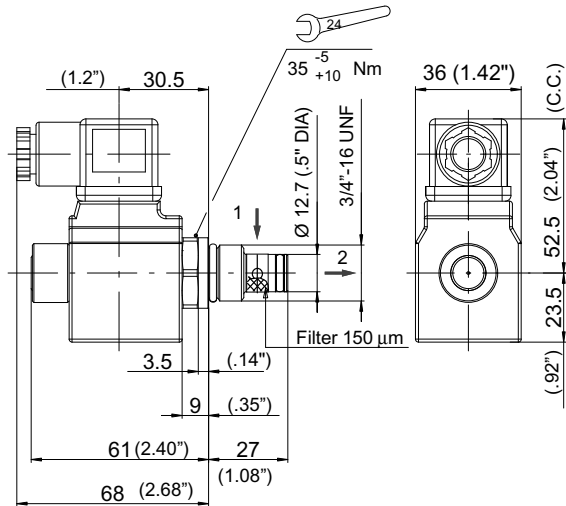
Type	Code
SPD817/22-TV-13-HC	200957010084
SPD817/22-TV-23-HC	200957020076

Complete solenoid valve for A.C. current

Type	Code
SPD817/22-TV-21-HC	200956920052
SPD817/22-TV-41-HC	200956940047
SPD817/22-TV-51-HC	200956960053

## 7.3.2 Solenoid operated directional valve: SDF817/22-TH - SDFE817/22-TH

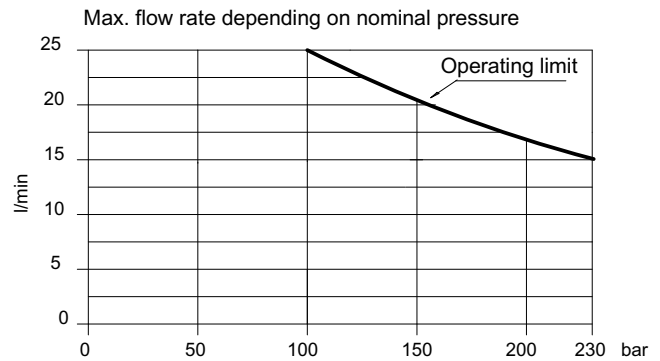
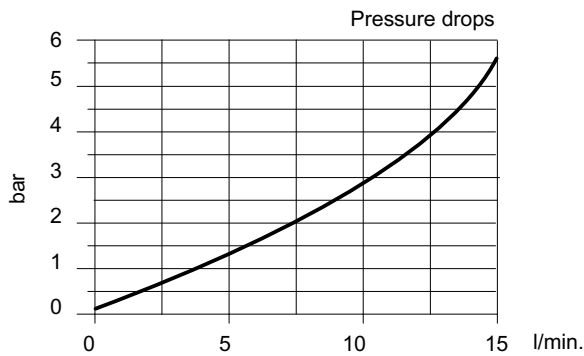
Normally closed  
Poppet type  
Direct acting - 27 Watt  
Flow from 1 to 2  
With (SDFE) or without (SDF) manual override



Weight (mechanical part only): 0.121 Kg

Electric performances	Electric performances
Max. pressure	250 bar
Max recommended pressure	230 bar
Max. flow	15 l/min. 230 bar
Rated power	27 Watt
Intermittence	ED= 100%
Voltage tolerance	± 10%
Internal leakage	0-5 drops/min.
Temperature range	-20/+90 °C
Connector type	DIN 43650
Time to open (50-210 bar)	15-50 ms.
Time to close (50-210 bar)	10-50 ms.

Oil: Viscosity 37 mm<sup>2</sup>/s at 40°C

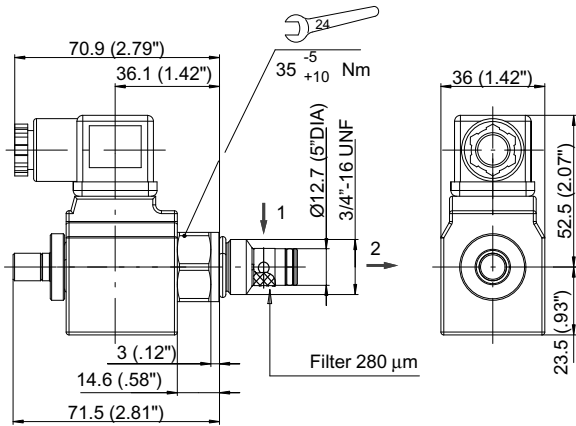


Type	Code*
ELVAL SDF817/22-TH P.M.	200757200940
ELVAL SDFE817/22-TH P.M.	200757200970

\* Mechanical part code only. For connector and coil see section: 7.3.5 - 7.3.6

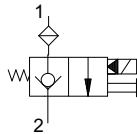
### 7.3.3 Solenoid operated directional valve: SPFE817/22-TV

Normally closed  
Poppet type  
Piloted (27 W)  
Flow from 1 to 2  
With manual override (screw type)

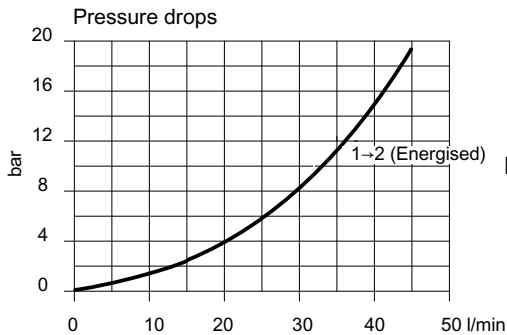


Electric performances	
Max. pressure	270 bar
Max. recommended pressure	230 bar
Max. flow	40 l/min.
Rated power	27 Watt
Intermittence	ED= 100%
Voltage tolerance	± 10% / -15%
Internal leakage	0.25 cm <sup>3</sup> /min.
Temperature range	-20/+90 °C
Connector type	DIN 43650
Time to open	<= 30 ms.
Time to close	<= 50 ms.

Weight (mechanical part only): 0.118 Kg



Oil: Viscosity 46 cSt at 40°C



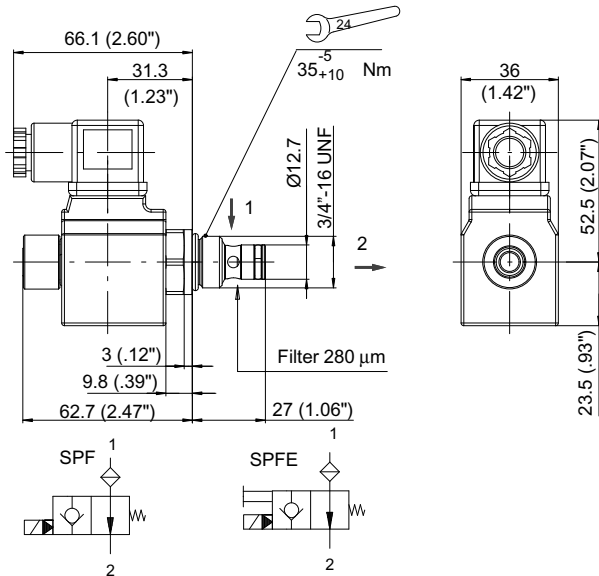
Minimum suggested working pressure = 5 bar

Type	Code*
ELVAL SPFE817/22-TV P.M.	200757200960

\* Mechanical part code only . For connector and coil see section: 7.3.5 - 7.3.6

## 7.3.4 Solenoid operated directional valve: SPF817/22-TOV - SPFE817/22-TOV

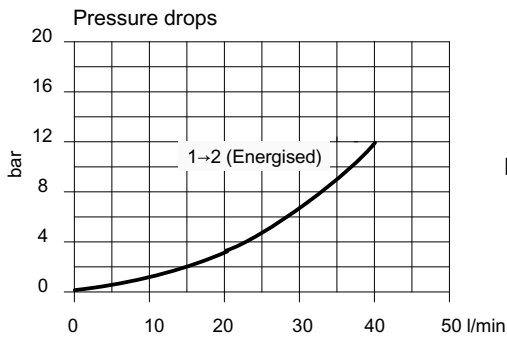
Normally open  
Poppet type  
Piloted (27 W)  
Flow from 1 to 2  
With (SPFE) or without (SPF) manual override (pin type)



Weight (mechanical part only): 0.120 Kg

Electric performances	
Max. pressure	270 bar
Max. recommended pressure	230 bar
Max. flow	40 l/min.
Rated power	27 Watt
Intermittence	ED= 100%
Voltage tolerance	± 10% / -15%
Internal leakage	0.25 cm <sup>3</sup> /min.
Temperature range	-20/+90 °C
Connector type	DIN 43650
Time to open	<= 30 ms.
Time to close	<= 50 ms.

Oil: Viscosity 46 cSt at 40°C



Minimum suggested working pressure = 5 bar

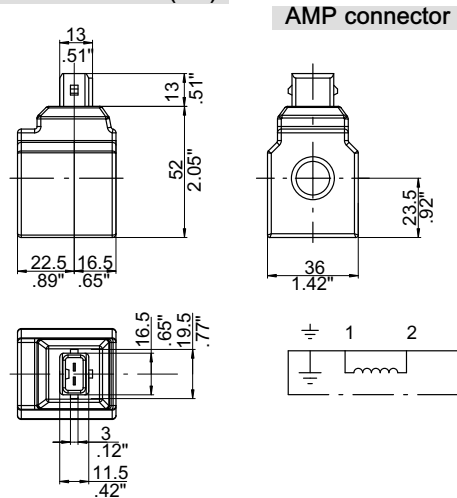
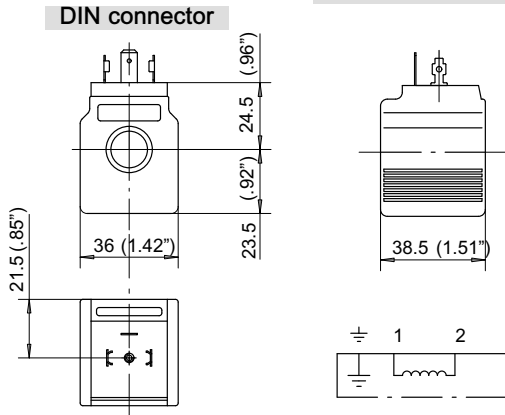
Type	Code*
ELVAL SPF817/22-TOV P.M.	200757200980
ELVAL SPFE817/22-TOV P.M.	200757200990

\* Mechanical part code only . For connector and coil see section: 7.3.5 - 7.3.6

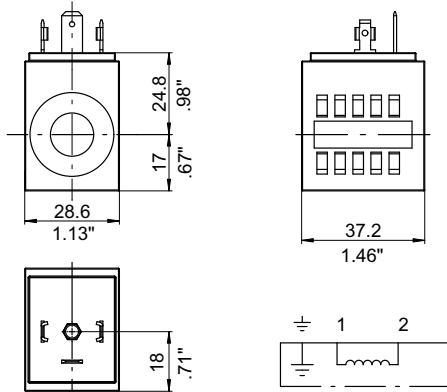


## 7.3.5 Directional valve solenoids

### SDF817 - SPFE817 (TV-TO) - SDFE817 - SPF817 (TO)



### SPD817 DIN connector

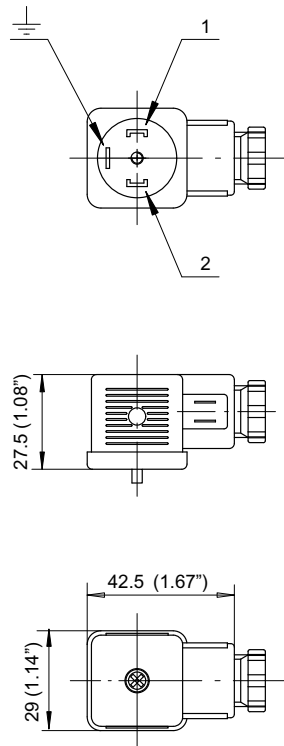


For solenoid valve series	SDF817 SDR817	SPE817 SDRE817	SPD
Wire class	H (VDE0580)		
Protection	IP65 (DIN40050)		
Coil insulation	F		
Duty rating	ED 100%		
Connector style	DIN 43650 or AMP84-9419		DIN 43650
Stabilized temperature	70°C		95°C (DC vers.)
Voltage tolerance	± 10%		

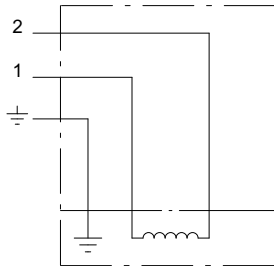
Connector style	Supply Voltage	Nominal Coil voltage	Power (Watt)	Resistance (Ohm)		Current (Ampere)		Coil code	
				Ambient temp.	Stabil. temp.	Ambient temp.	Stabil. temp.		
SDF - SPFE - SDFE - SPF	DIN	12 V. DC.	12 V. DC.	27.2	5.3	8	2.2	1.5	200674910100
		24 V. DC.	24 V. DC.	27	21.3	32	1.12	0.75	200674920080
		48 V. DC.	48 V. DC.	27	85.3	130	0.56	0.37	200674930030
		24 V. AC.	21.6 V. DC.	27.1	17.2	26	1.25	0.83	200674820050
		110 V. AC.	98 V. DC.	27	355	530	0.27	0.18	200674840050
		220 V. AC.	198 V. DC.	27.6	1422	2130	0.14	0.10	200674860060
	AMP	12 V. DC.	12 V. DC.	27.2	5.3	8	2.2	1.5	200674910250
		24 V. DC.	24 V. DC.	27	21.3	32	1.12	0.75	200674920200
DIN	12 V. DC.	12 V. DC.	16	9	11.4	1.35	1.09	200541210039	
	24 V. DC.	24 V. DC.	16	36	46.2	0.667	0.53	200541220037	
	24 V. AC.	21.6 V. DC.	16	27.7	34.4	0.713	0.592	200541120015	
	110 V. AC.	108 V. DC.	16	843	1053	0.15	0.1	200541140014	
	220 V. AC.	216 V. DC.	16	3364	4168	0.624	0.498	200541160016	

A.C. Supply requires a connector with bridge rectifier included

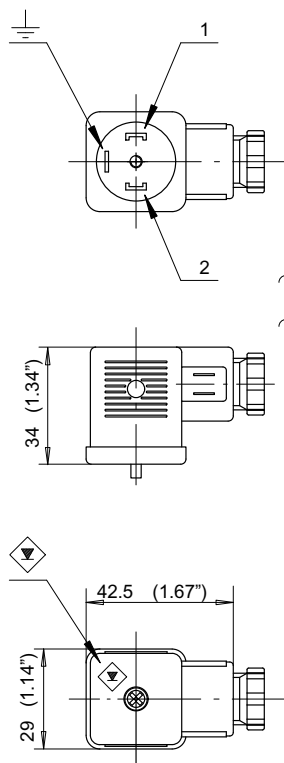
### 7.3.6 Connector for solenoid directional valves



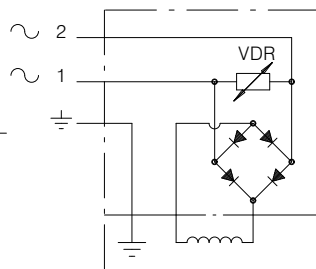
Part number:  
2005441.10009



For power input	D.C.
Connector type	DIN 43650
Number of poles	2 + $\perp$
Supply voltage	max. 220 V.
Nom. capacity at contacts	10 A.
Max capacity at contacts	16 A.
Resistance at contacts	$\geq 4$ mOhm
Max section of cable	1.5 mm <sup>2</sup>
Outer material	Glass fibre reinforced Nylon
Contact mount material	Nylon
Color	Black
Armour clamp	Pg 9
Ø cable	6-8 mm.
Protection factor	IP65 (DIN40050)
Insulation class	C (VDE0110)
Temperature range	-40 / +90 °C



Part number:  
2005441.10012



For power input	A.C.
Connector type	DIN 43650
Number of poles	2 + $\perp$
Supply voltage	max. 220 V.
Nominal capacity at contacts	10 A.
Max. capacity at contacts	16 A.
Resistance at contacts	$\geq 4$ mOhm
Max. section of cable	1.5 mm <sup>2</sup>
Outer material	Glass fibre reinforced Nylon
Contact mount material	Nylon
Color	Black
Diodes	1N 4007 GP
Overvoltage protection	VDR
Armour clamp	Pg 9
Ø cable	6-8 mm.
Protection factor	IP65 (DIN40050)
Insulation class	C (VDE0110)
Temperature range	-40 / +90 °C

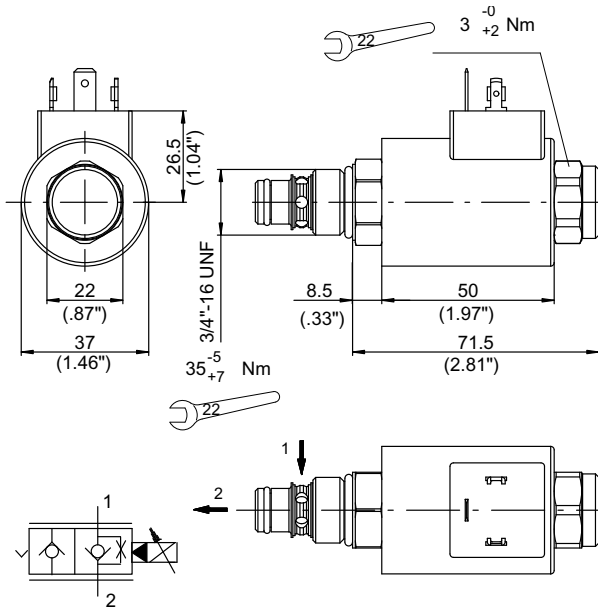
## 7.3.7 Proportional solenoid valve: PDF817/HSC

Normally closed

Poppet type

Pilot type

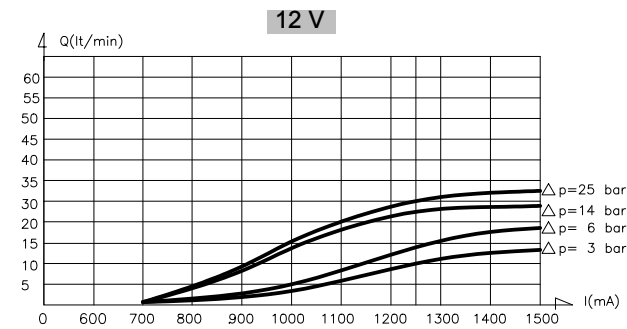
Flow from 1 to 2



Electric performances		
	12 V	24 V
Resistance (at 20°C)	7.2 Ohms	22 Ohms
PWM frequency	100-150 Hz PWM frequency	
Connection type	DIN 43650	
Max current, non continuous Duty	1500 mA	1000 mA
Max current, continuous Duty	1200-1250 mA	800-850 mA
Minimum current	350-400 mA	200-250 mA
Other connectors available	(DIN), AMP JT	
Seal kit code	200599999630	

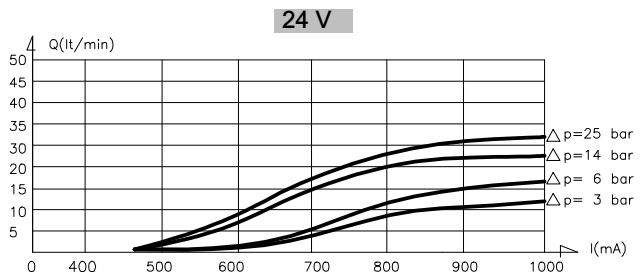
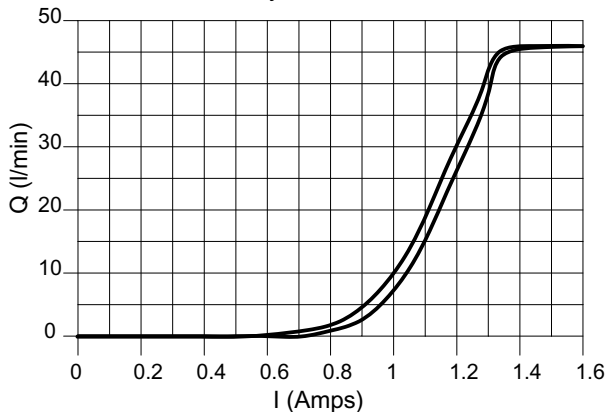
Code	PDF817/HSC-HC (12 V) 200957110004	With DIN coil, without connector

Flow (l/min) vs. Current (mA - PWM @ 100 Hz) at various differential pressures (bar) @ 50°C



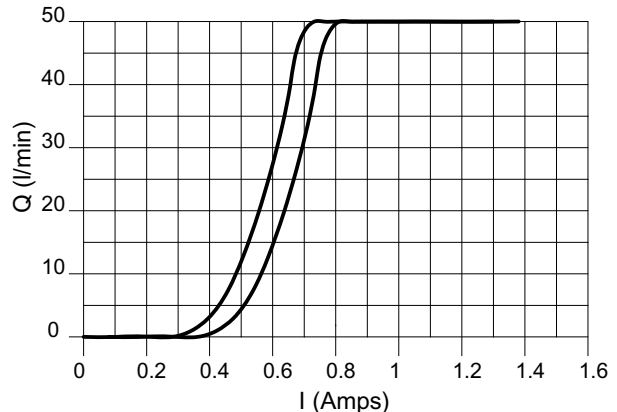
Typical hysteresis

Oil: Viscosity 37 mm<sup>2</sup>/s at 40°C



Typical hysteresis

Oil: Viscosity 37 mm<sup>2</sup>/s at 40°C

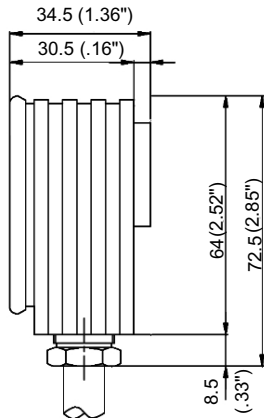


## 7.3.8 Electric connectors to control proportional valves

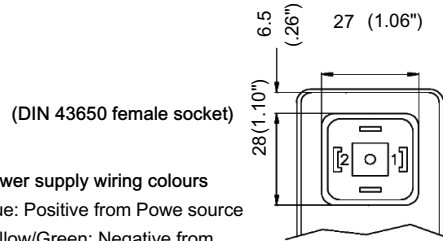
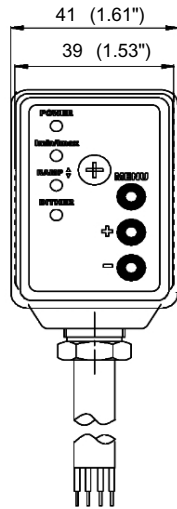
Ordering code	200544110031
Connector type	DIN 43650
PWM dither frequency	55-200 Hz (adjustable)
Operating temperature	-25°C / +85 °C
Adjustable ramp time	0.05- 5 sec.

Current output range (PWM)	100-3000 mA
Degree of protection	IP 67
Analog input signal (*)	0-5 V
Input impedance	50 kOhm
Typical ctrl pot resistance	2-47 kOhm

(\*) Other analog input signal on demand (0-10 V or 0-20 mA)



4x0.5 CABLE - Length = 700 mm



(DIN 43650 female socket)

### Power supply wiring colours

Blue: Positive from Power source

Yellow/Green: Negative from

### Remote potentiometer wiring colours

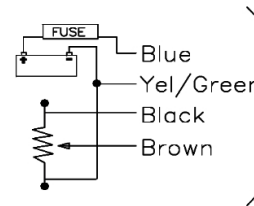
Black: command signal supply (+5V)

Brown: command signal in

### Proportional valves wiring colours

1 : proportional coil output

2 : proportional coil current feedback line

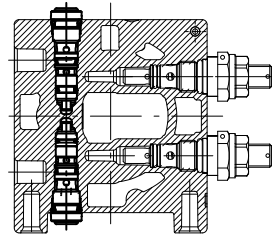


**IMPORTANT!** Other type of electric connectors and electronic cards are available.  
See [www.bucherhydraulics.com](http://www.bucherhydraulics.com)

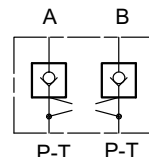
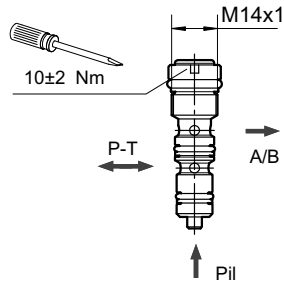
## 7.4 Mechanical valves

### 7.4.1 Double piloted check valve: VRP05

Check valve VRP05

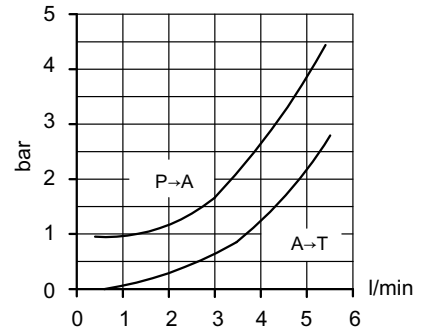


Check valve VRP05



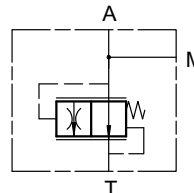
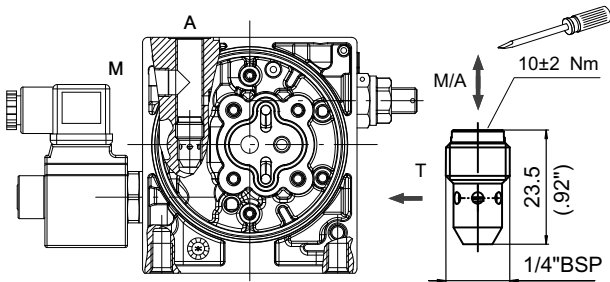
Pilot ratio 3.4:1

To be assembled in K50 - K51 housings only

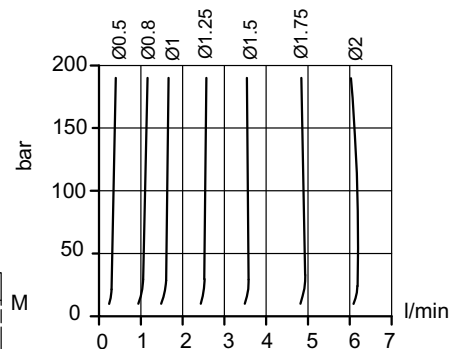


Type	Code*
VRP05	200787600920

### 7.4.2 Throttle compensated flow control valve: VRC05



To be assembled in K04 - K41 housing only



Type	Hole flow restrictor	Controlled flow Q	Code
	Ø	l/min	
VRC05/0.35	0.5	0.35	200787200250
VRC05/1	0.8	1	200787200260
VRC05/1.6	1	1.6	200787200270
VRC05/2.5	1.25	2.5	200787200280
VRC05/3.5	1.5	3.5	200787200290
VRC05/4.9	1.75	4.9	200787200300
VRC05/6	2	6	200787200310

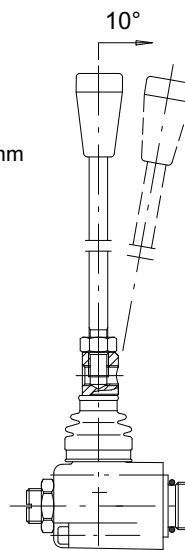
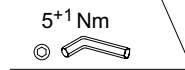
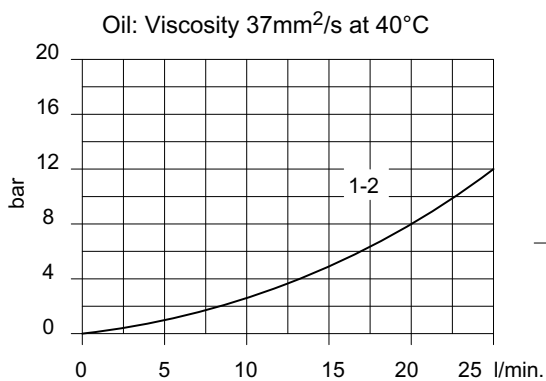
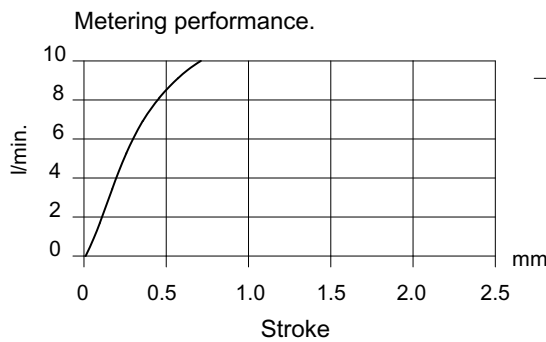
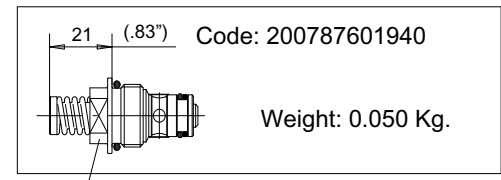
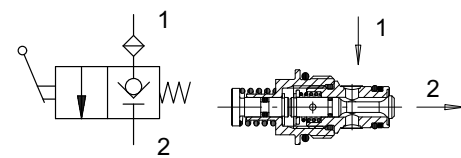
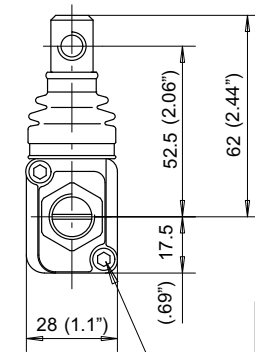
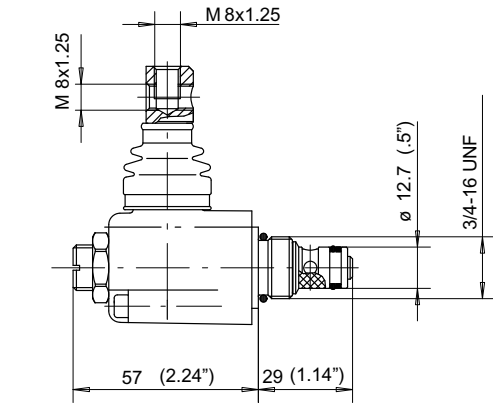
Flow tolerance = ±15%

## 7.5 Manual lowering valve

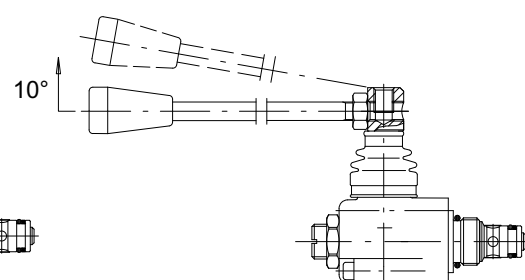
### 7.5.1 Manual lowering valve: ZR817/22-TV

For housings:  
UP50/K34  
UP50/K17-K04-K41-K42-K46  
Normally closed  
Code ..... 200987601960

Max. pressure ..... 230 bar  
Max. recommended pressure ..... 210 bar  
Max flow ..... 25 l/min.  
Internal leakage ..... 0-5 drops/min.  
Temperature range ..... -20/+90 °C  
O-Ring replacement kit ..... 200974200160

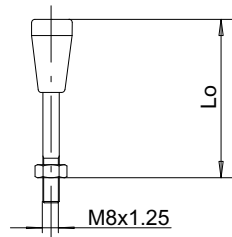
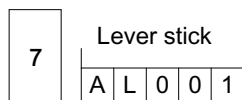


The connecting end of the lever allows the handle to be mounted in two different positions.



Mounting positions: see 7.5.3

#### Lever stick



Lo Length	Type	Code
150 mm-5.90 inches	AL001	200702210190
200 mm-7.87 inches	AL002	200702210030
250 mm-9.84 inches	AL003	200702210050
300 mm-11.80 inches	AL004	200702210060

## 7.5.2 Manual lowering valve with microswitch: ZR817/22-TVM

For housings:

UP50/K34

UP50/K17-K04-K41-K42-K46

Normally closed

Code ..... 200987601950

Max. pressure ..... 230 bar

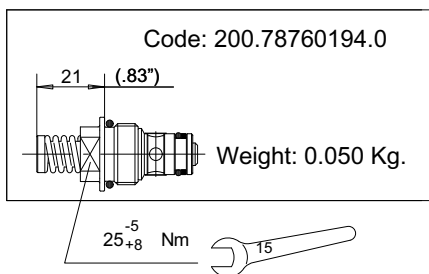
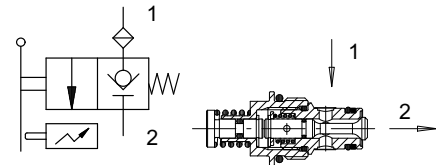
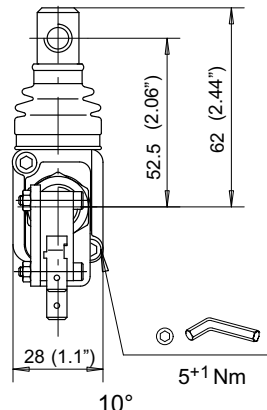
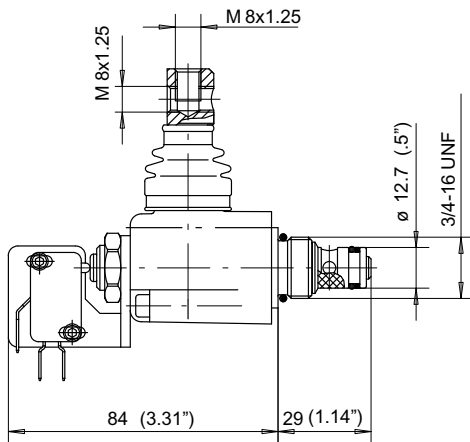
Max. recommended pressure ..... 210 bar

Max flow ..... 25 l/min.

Internal leakage ..... 0-5 drops/min.

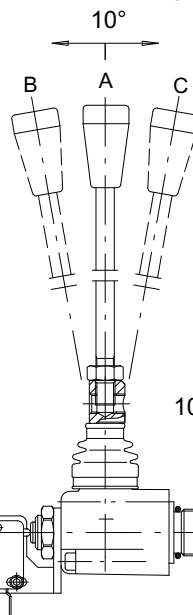
Temperature range ..... -20/+90 °C

O-Ring replacement kit ..... 200974200160



Code: 200.78760194.0

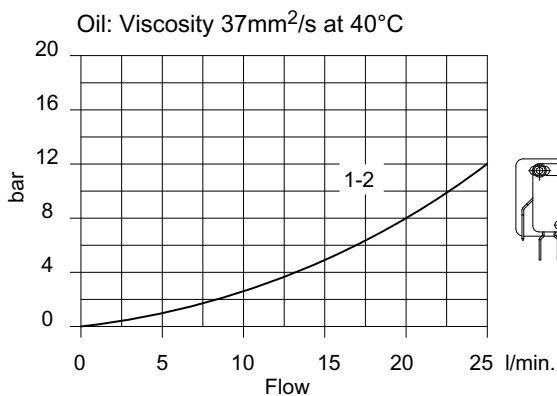
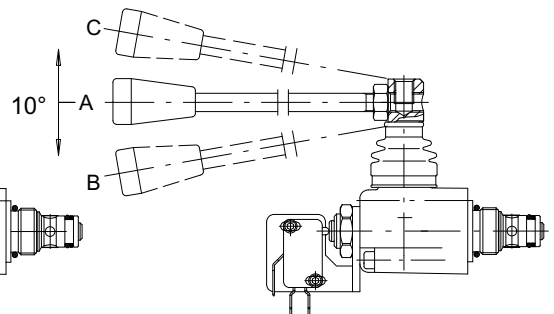
Weight: 0.050 Kg.



A → B = Microswitch operated

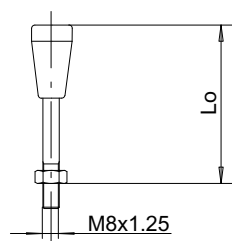
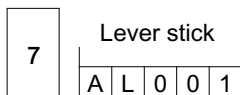
A → C = Hydraulically operated

The connecting end of the lever allows the handle to be mounted in two different positions.



Mounting positions: see 7.5.3

Lever stick



Lo Length	Type	Code
150 mm-5.90 inches	AL001	200702210190
200 mm-7.87 inches	AL002	200702210030
250 mm-9.84 inches	AL003	200702210050
300 mm-11.80 inches	AL004	200702210060

### 7.5.3 Manual lowering valve mounting positions

ZR817/22-TV: L10-L11-L12-L13-L14-L15

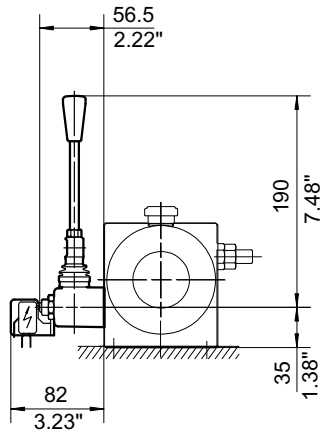
ZR817/22-TVM: L30-L31-L32-L33-L34-L35

Hand lever

L	1	0
L	3	0

Lever stick

A	L	0	0	*
---	---	---	---	---

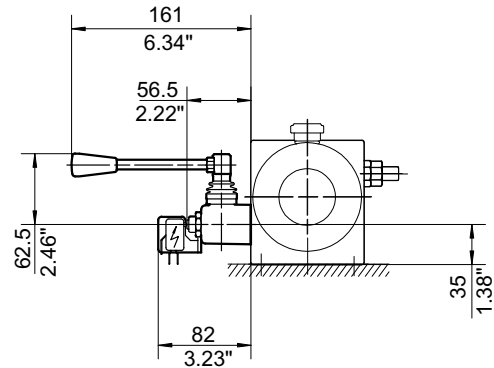


Hand lever

L	1	1
L	3	1

Lever stick

A	L	0	0	*
---	---	---	---	---

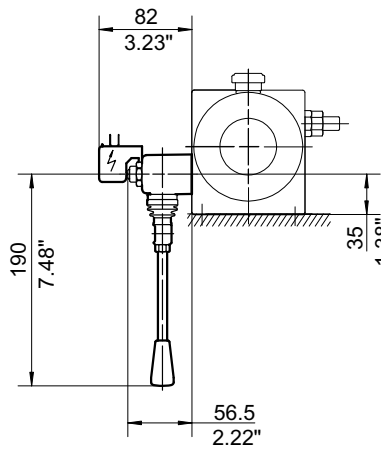


Hand lever

L	1	2
L	3	2

Lever stick

A	L	0	0	*
---	---	---	---	---

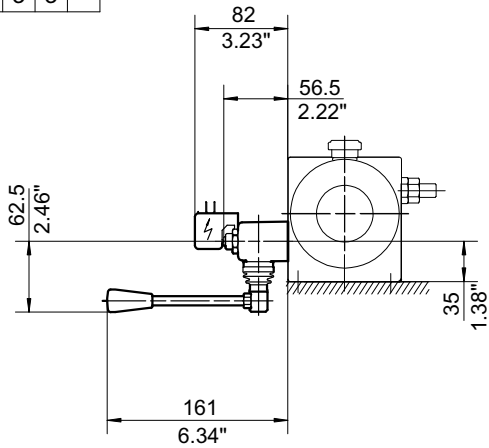


Hand lever

L	1	3
L	3	3

Lever stick

A	L	0	0	*
---	---	---	---	---

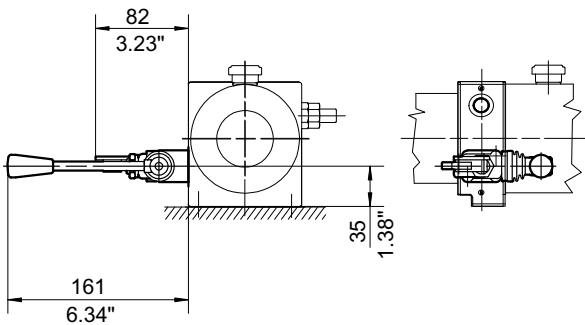


Hand lever

L	1	4
L	3	4

Lever stick

A	L	0	0	*
---	---	---	---	---

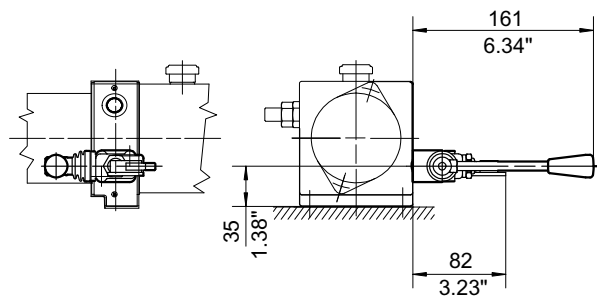


Hand lever

L	1	5
L	3	5

Lever stick

A	L	0	0	*
---	---	---	---	---



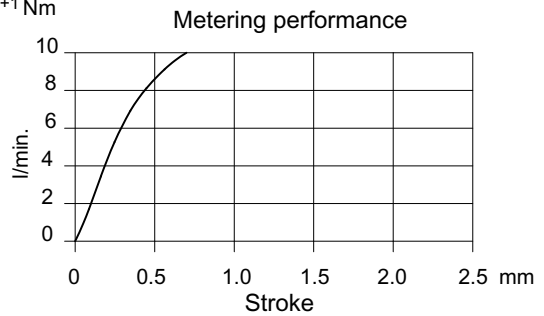
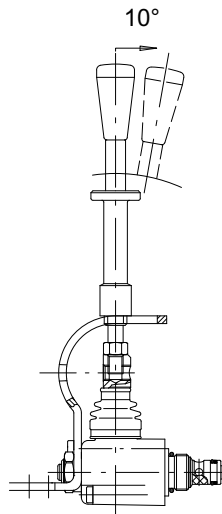
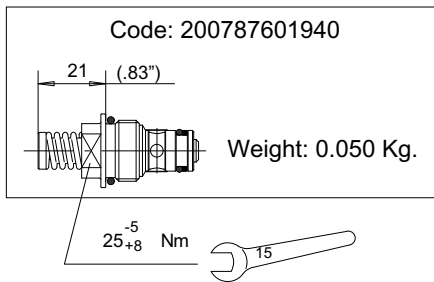
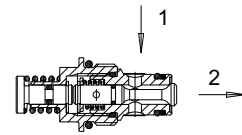
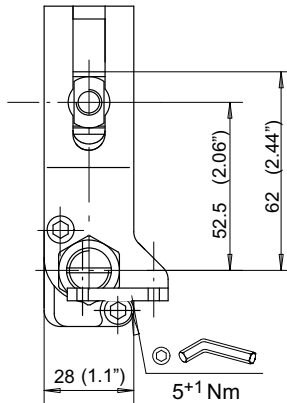
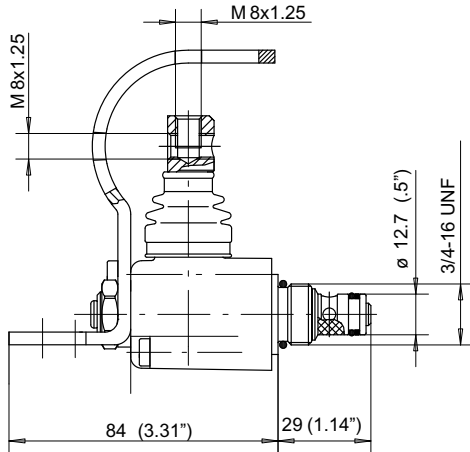


## 7.5.4 Manual lowering valve with safety lever support and without microswitch :

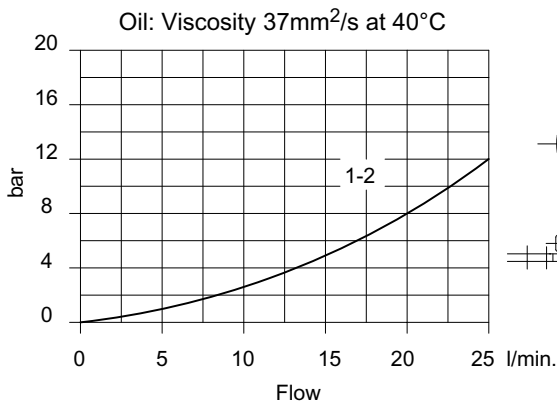
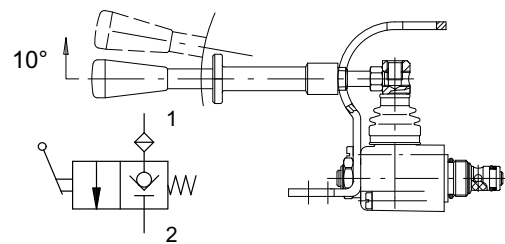
### ZR817/22-TVS

For housings:  
 UP50/K34  
 UP50/K17-K04-K41-K42-K46  
 Normally closed  
 Code ..... 200987601970

Max. pressure ..... 230 bar  
 Max. recommended pressure ..... 210 bar  
 Max flow ..... 25 l/min.  
 Internal leakage ..... 0-5 drops/min.  
 Temperature range ..... -20/+90 °C  
 O-Ring replacement kit ..... 200974200160

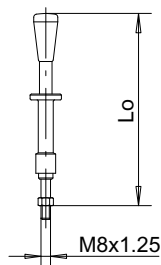
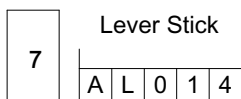


The connecting end of the lever allows the handle to be mounted in two different positions.



Mounting positions: see 7.5.6

### Lever Stick

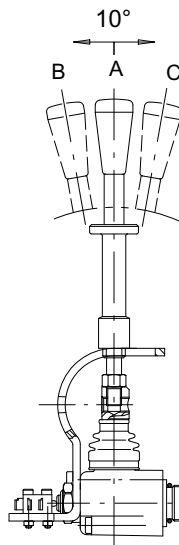
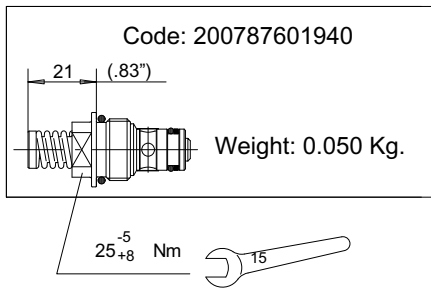
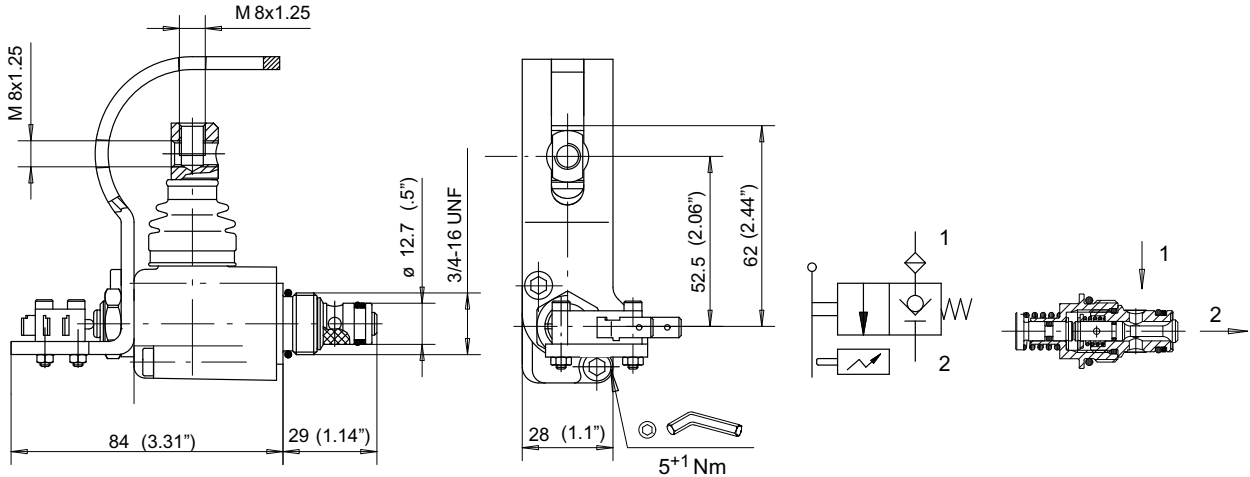


Lo Length	Type	Code
160 mm-6.29 inches	AL014	200702210090
122 mm-4.82 inches	AL002	200702210040

## 7.5.5 Manual lowering valve with microswitch and safety lever support: ZR817/22-TVMS

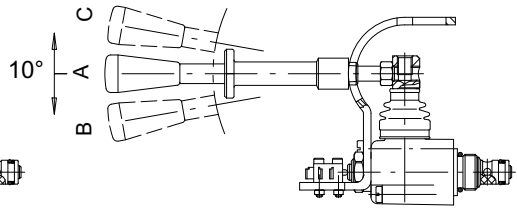
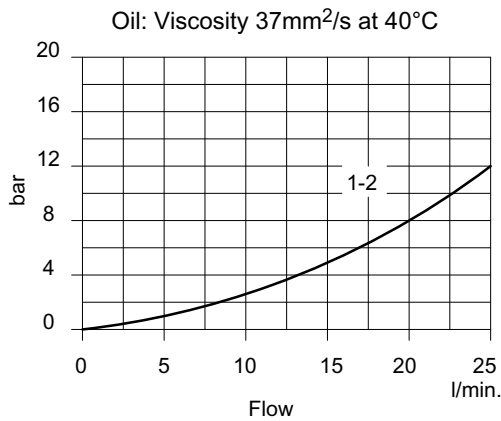
For housings:  
 UP50/K34  
 UP50/K17-K04-K41-K42-K46  
 Normally closed  
 Code ..... 200987601980

Max. pressure ..... 230 bar  
 Max. recommended pressure ..... 210 bar  
 Max flow ..... 25 l/min.  
 Internal leakage ..... 0-5 drops/min.  
 Temperature range ..... -20/+90 °C  
 O-Ring replacement kit ..... 200974200160



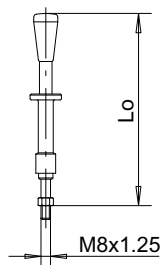
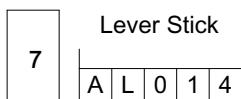
A → B = Microswitch operated  
 A → C = Hydraulically operated

The connecting end of the lever allows the handle to be mounted in two different positions.



Mounting positions: see 7.5.6

### Lever Stick



Lo Length	Type	Code
160 mm-6.29 inches	AL014	200702210090
122 mm-4.82 inches	AL002	200702210040

7.5.6 Manual lowering valve mounting positions

ZR817/22-TV: L50-L51-L52-L53-L54-L55

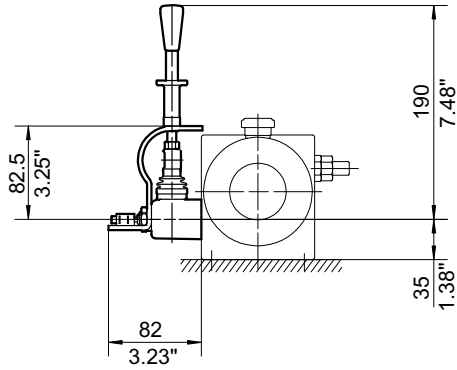
ZR817/22-TVM: L70-L71-L72-L73-L74-L75

Hand lever

L	5	0
L	7	0

Lever stick

A	L	0	0	*
---	---	---	---	---

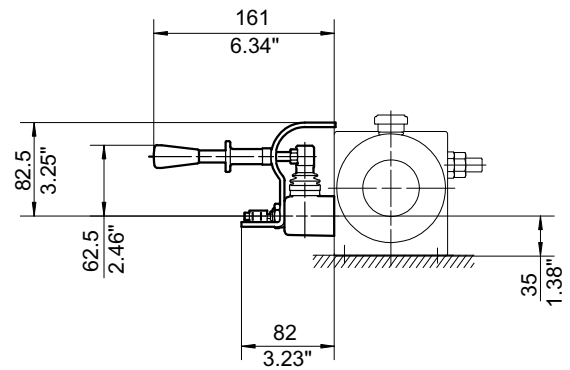


Hand lever

L	5	1
L	5	1

Lever stick

A	L	0	0	*
---	---	---	---	---

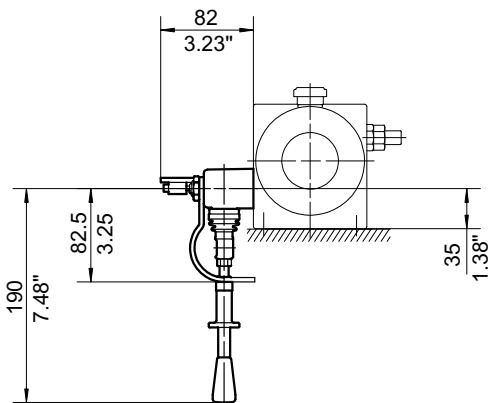


Hand lever

L	5	2
L	7	2

Lever stick

A	L	0	0	*
---	---	---	---	---

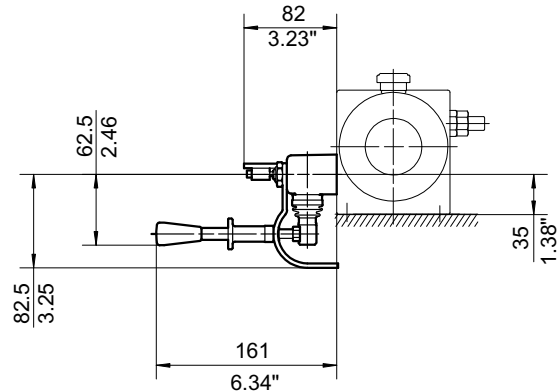


Hand lever

L	5	3
L	7	3

Lever stick

A	L	0	0	*
---	---	---	---	---

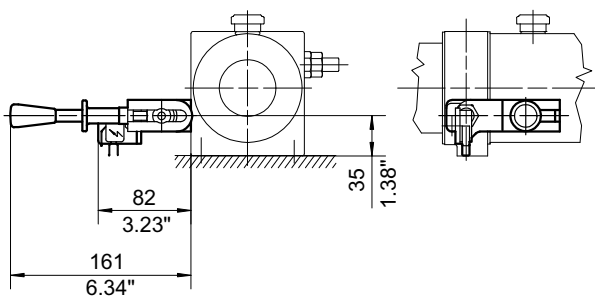


Hand lever

L	5	4
L	7	4

Lever stick

A	L	0	0	*
---	---	---	---	---

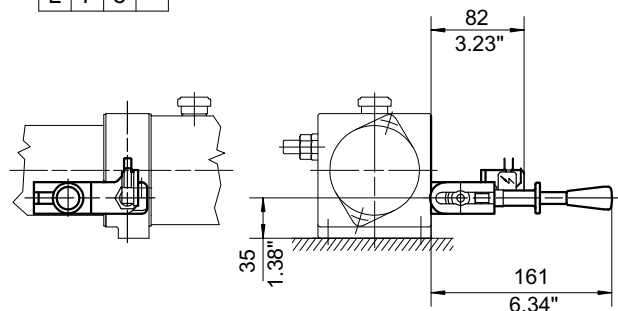


Hand lever

L	5	5
L	7	5

Lever stick

A	L	0	0	*
---	---	---	---	---



## 7.6 Emergency hand pump: PM817/1.5

For housings:

**UP50/K46**

Inlet check

Outlet check

Ball type

Code ..... 200948200080

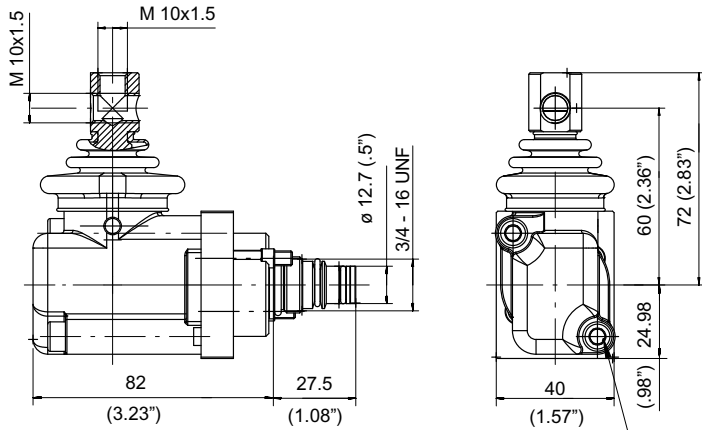
Max recommended pressure ..... 210 bar

Displacement ..... 1.5 cm<sup>3</sup>

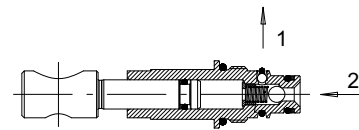
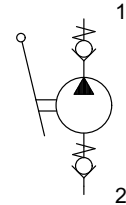
Internal leakage ..... 0-5 drops/min.

Temperature range ..... -20/+90 °C

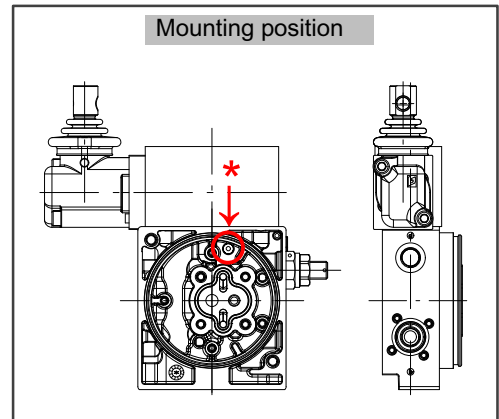
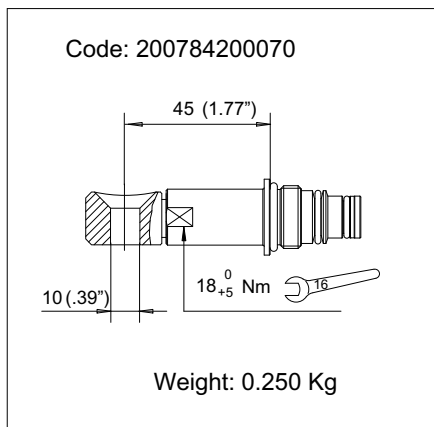
O-Ring replacement kit ..... 200974200340



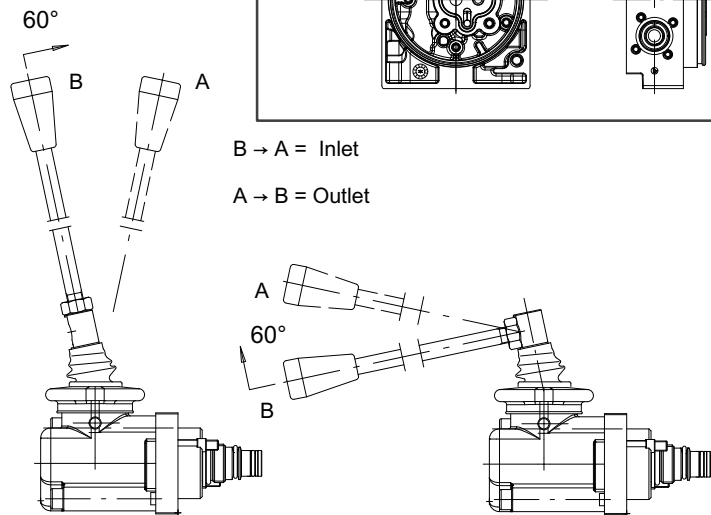
The connecting end of the lever allows the handle to be mounted in two different positions.



5+1 Nm

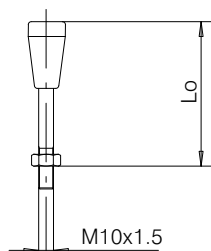
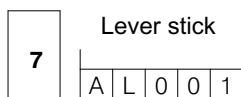


B → A = Inlet  
A → B = Outlet



With the hand pump assembled into a special manifold (see 1.3.5) a suction pump having proper length, in function of the type and capacity of the tank has to be fitted into the appropriate position\*

Lever stick

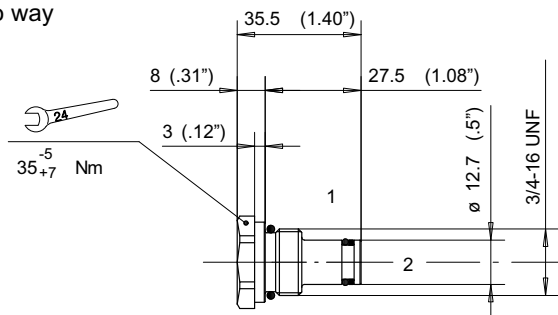


L <sub>0</sub> Length	Type	Code
185 mm-7.28 inches	AL001	200702220010
250 mm-9.84 inches	AL002	200702220030
300 mm-11.81 inches	AL003	200702220040
350 mm-13.78 inches	AL004	200702220050

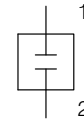
## 7.7 Valve cavity plugs

### 7.7.1 Valve cavity plug T817/2

Two way

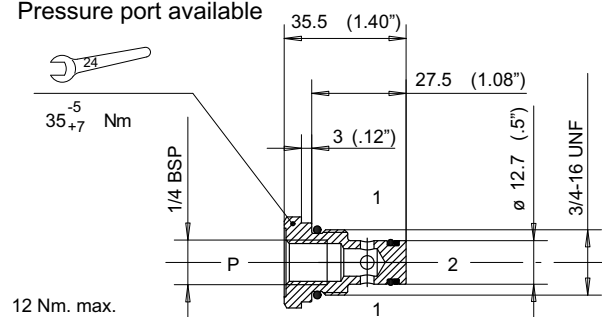


Code	200778800020
Seal kit code	200974200160
Weight	0.070 Kg.

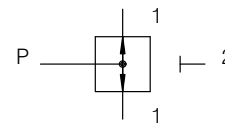


### 7.7.2 Valve cavity plug T817/2P-602

Pressure port available

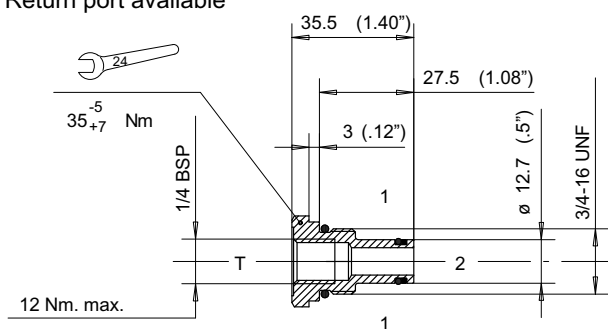


Code	200778800060
Seal kit code	200974200160
Weight	0.040 Kg.

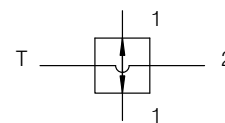


### 7.7.3 Valve cavity plug T817/2T-602

Return port available



Code	200778800070
Seal kit code	200974200160
Weight	0.030 Kg.



## 8 Manifolds

(For availability please consult our Sales Organisation)

### 8.1 Technical information

Power pack housings K03 and K34 can be connected with manifolds, allowing the assembly of complex circuits in compact and modular solution.

#### 8.1.1 Standard manifolds

The range includes monobloc or sectional manifolds with which to create parallel or series circuits for cartridge type solenoid valves or CETOP R35H design.

Take care to verify the positions of the filling plug of the chosen tank/electrical motor avoiding version having interference with the valve block.

#### 8.1.2 Special manifolds

To reduce the dimensions and complexity of the system generally (connecting pipe-lines, etc.) special manifolds can be designed and manufactured to meet particular requirements.

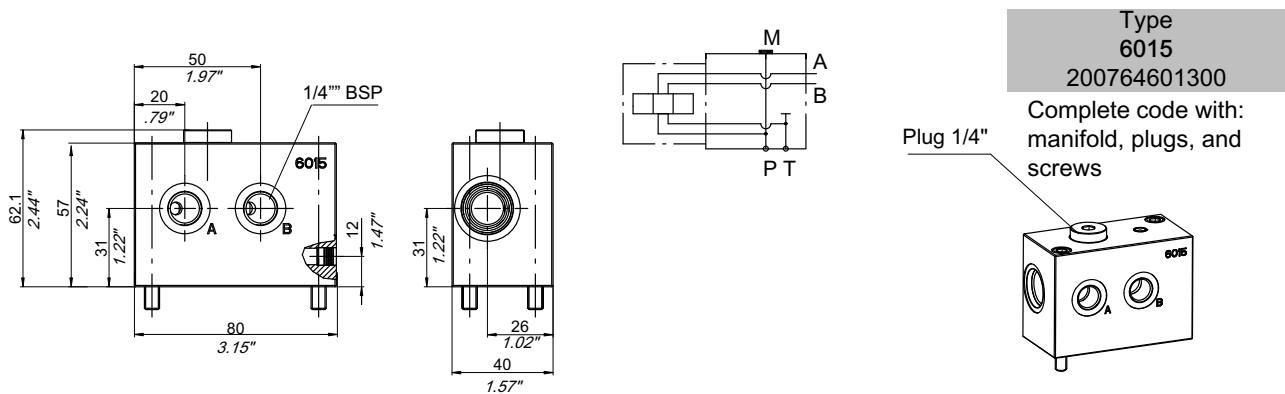
#### 8.1.3 Material

Manifold elements are in extruded aluminium alloy.

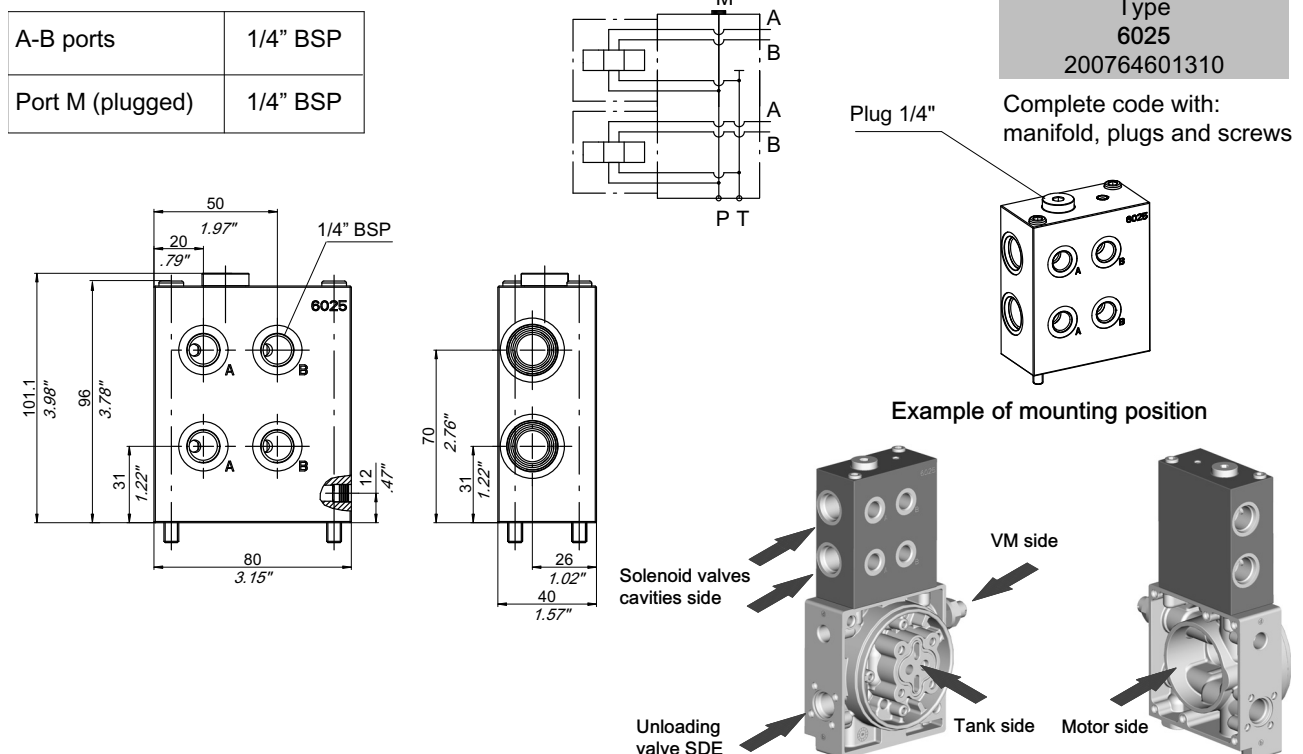
The O-Rings utilized will be NBR-70sh. unless other types are specifically requested.

## 8.2 Manifold for parallel circuit

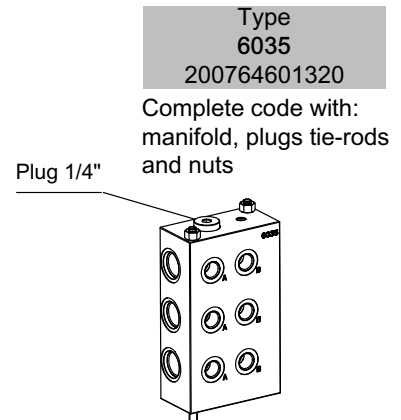
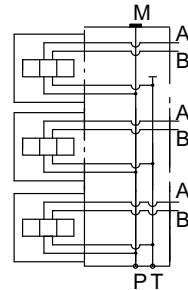
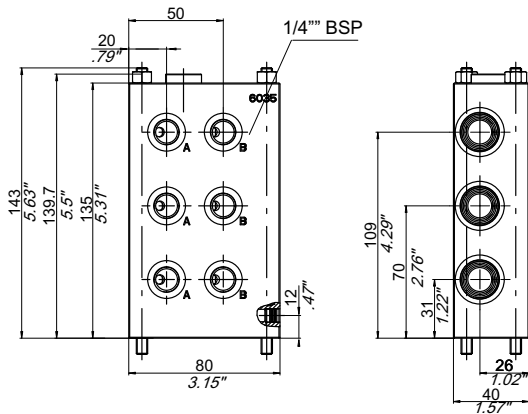
### 8.2.1 Manifold for single solenoid valves, cartridge style



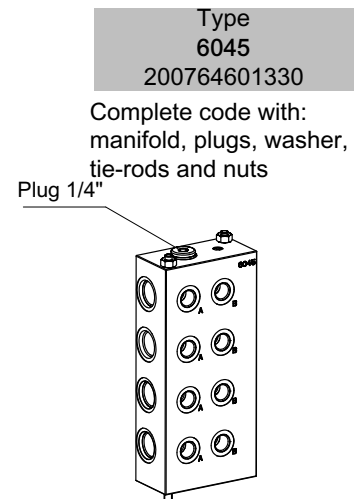
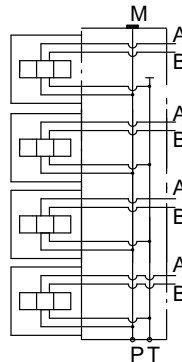
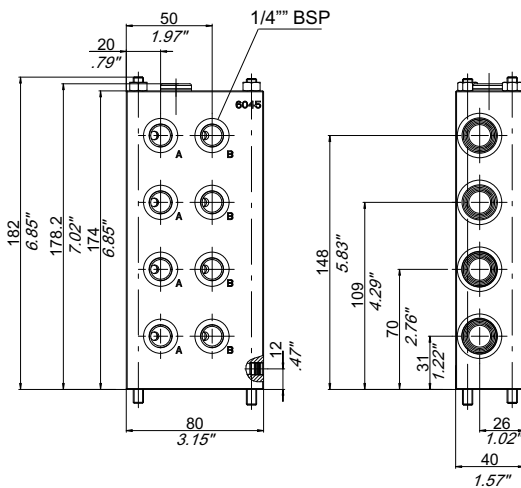
### 8.2.2 Manifold for two solenoid valves, cartridge style



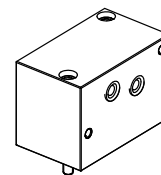
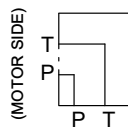
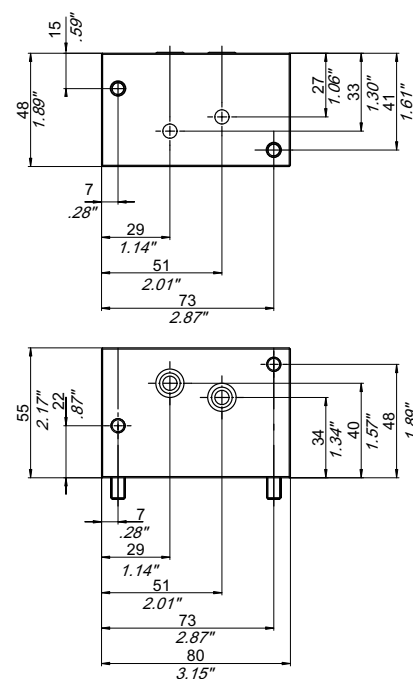
8.2.3 Manifold for three solenoid valves, cartridge style



8.2.4 Manifold for four solenoid valves, cartridge style



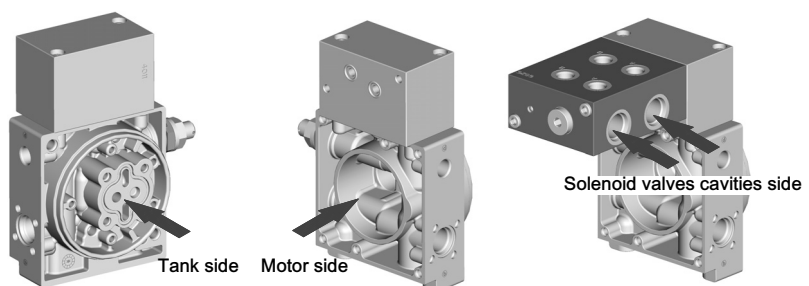
8.2.5 Intermediate manifold for horizontal assembly



Type  
4011  
200764900400

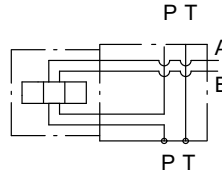
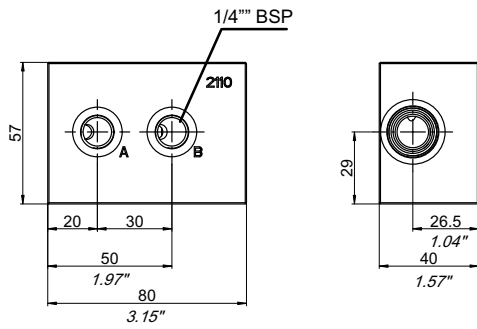
Complete code with:  
manifold, OR and  
screws

Example of mounting position



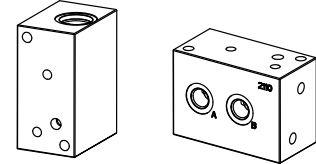
## 8.3 Manifold for series circuit

### 8.3.1 First manifold

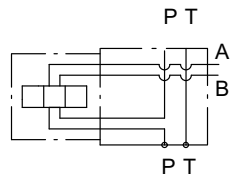
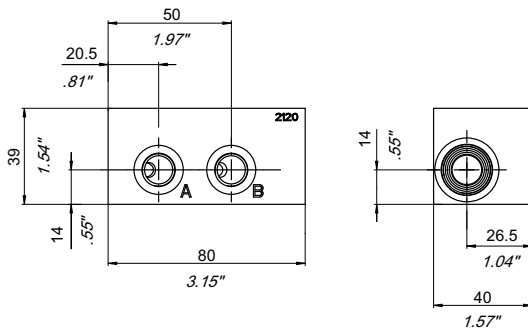


Type  
2110  
200764400170

Complete code with:  
manifold and plugs

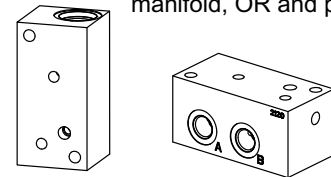


### 8.3.2 Intermediate manifold

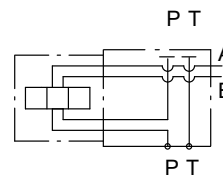
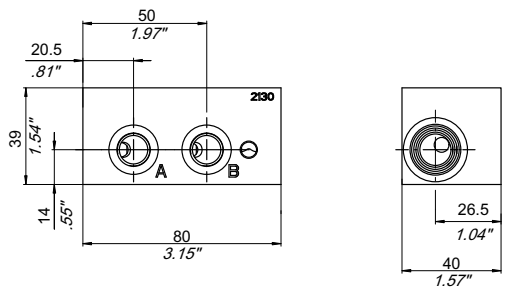


Type  
2120  
200764400180

Complete code with:  
manifold, OR and plugs

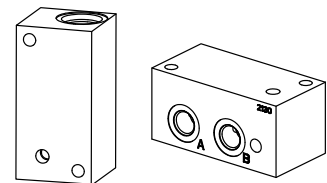


### 8.3.3 End manifold

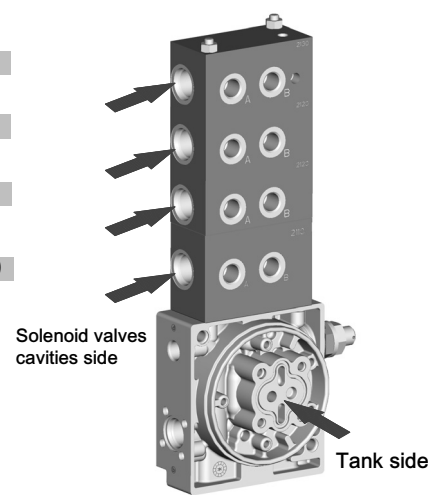
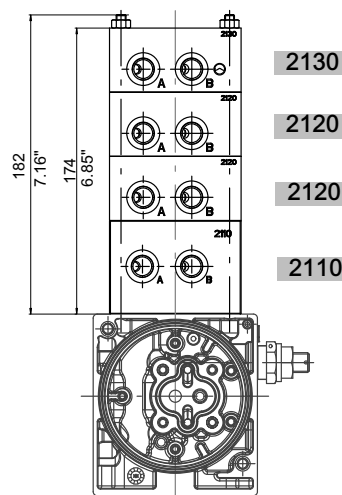
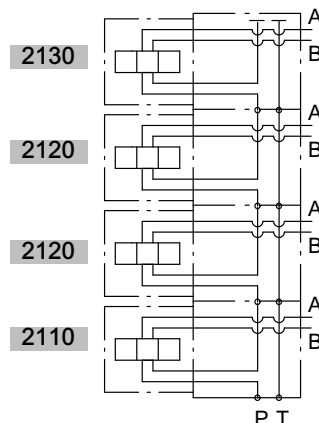


Type  
2130  
200764400190

Complete code with:  
manifold, O-Ring and plugs

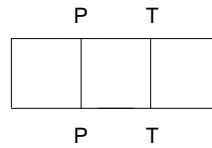
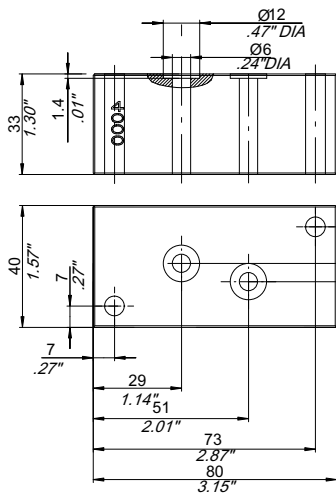


### Example of assembling/mounting position



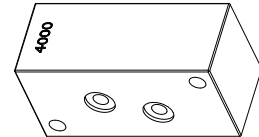


**8.3.4 Intermediate manifold (spacer only)**

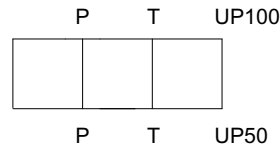
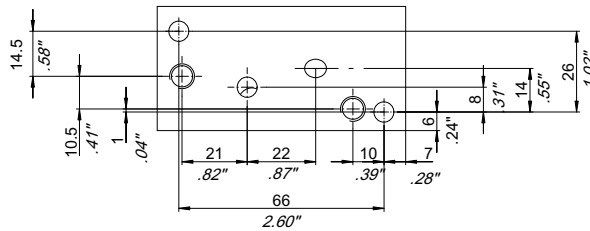
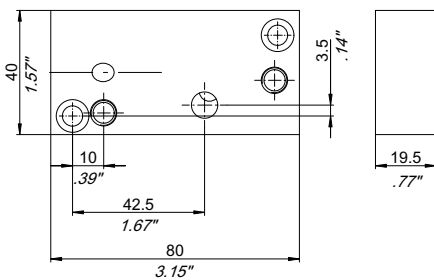


Type  
4000  
200764900020

Complete code with:  
manifold and O-Rings

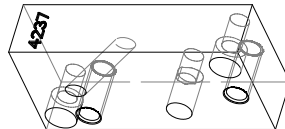


**8.3.5 Intermediate manifold (UP50 → UP100 interface)**



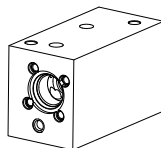
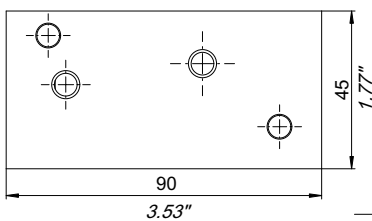
Type  
4237  
200664900550

Only manifold

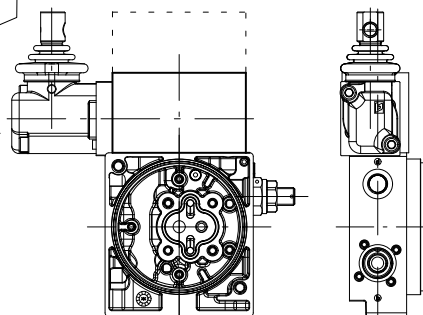


Intermediate manifold suitable to connect UP100 manifolds : 5073-5033-5053-2083-2043-2013. For details see section 8 of the UP100 catalogue

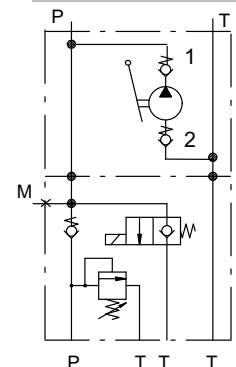
**8.3.6 Intermediate manifold for PM817/1.5  
(see section 1.3.5)**



PM817/1.5  
200748200080



Type  
4030  
200764900390



Available also single manifold 4031 code 200764900480 without intermediate module

## 9 Solenoid valves dedicated to section 8 Manifolds

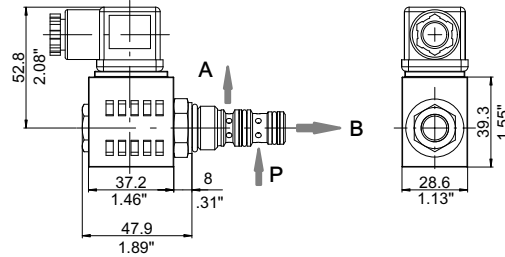
(For availability please consult our Sales Organisation)

Circuit	Type
	CT-01
	CF-02
	CH-01
	CB-01
	CR-01
	CC-01
	CA-01
	CI-01
	CB-02
	CC-02
	CA-02
	CD-02
	CX-02

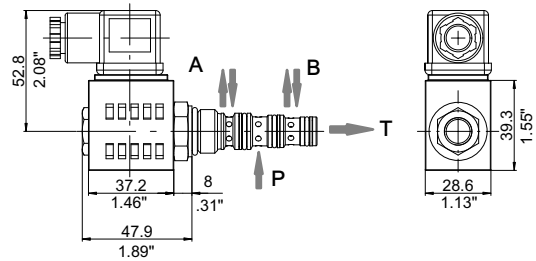
**CONNECTOR:** Insulation class C-VDE 0110;  
connection DIN 43650

**SOLENOID:** insulation class E-VDE 0580/10.70-33;  
Protection degree: IP65 - DIN 40050;  
Intermittency: ED 100% ; Power: 24 W

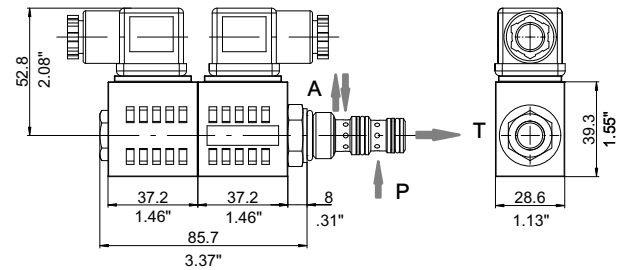
### 3 ways, two positions



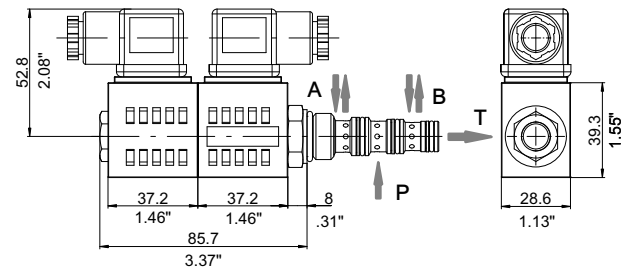
### 4 ways, two positions



### 3 ways, three positions



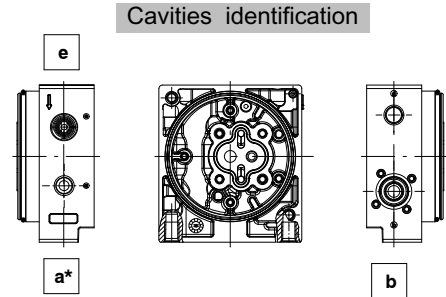
### 4 ways, three positions



Std. Voltage	Type	
12 V D.C.	13	Coil and connector features: see section 7.3.5 (SPD type) and 7.3.6
24 V D.C.	23	
24 V A.C.	21	
110 V A.C.	41	
220 V A.C.	51	

## 9.1 Example of hydraulic power pack ordering code

1	Type of housing	Vers.	UP50 / K04			
2	Pump	Hi-Lo	Series			
	AP05 / 0.75		S409			
3	Tank	Fitting	Pos.			
	P-025Q-E		P15			
4	Suction assembly kit		Tank fixing kit			
5	Electric motor	Pos.	Relay	Pos.		
	C240AB / S0	A				
6	Drive					
	E66					
7	Cavity <b>a</b>		Cavity <b>b</b>		Cavity <b>c</b>	
	SDF817 / 22		-TH-		23	
	Cavity <b>d</b>		Cavity <b>e</b>		Cavity <b>f</b>	
	15VM01		VRC			
	Cavity <b>g</b>	Hand lever	Lever stick	Volt		

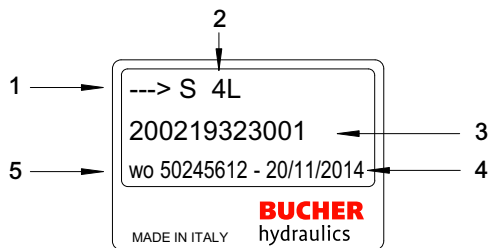


\* only for reversible pumps

Composition of product code  
 UP50/K04 • AP05/0.75 • S409 P-025Q-E • P15 • C240AB/S0 • A • E66

b) SDF817/22-TH -23 • e) 15VM01 • f) VRC

Product identification plate example:



- 1 : Rotation (D= Clockwise rotation - S= Counterclockwise rotation)
- 2 : Manufacturing year and month
- 3 : Bucher Hydraulics S.p.A. product code
- 4 : Date
- 5 : Work order number

Manufacturing month	Manufacturing year					
	2014	2015	2016	2017	2018	2019
January	4A	5A	6A	7A	8M	9M
February	4B	5B	6B	7B	8N	9N
March	4C	5C	6C	7C	8P	9P
April	4D	5D	6D	7D	8Q	9Q
May	4E	5E	6E	7E	8R	9R
June	4F	5F	6F	7F	8S	9S
July	4G	5G	6G	7G	8T	9T
August	4H	5H	6H	7H	8U	9U
September	4I	5I	6I	7I	8V	9V
October	4J	5J	6J	7J	8Z	9Z
November	4K	5K	6K	7K	8X	9X
December	4L	5L	6L	7L	8Y	9Y

[info.it@bucherhydraulics.com](mailto:info.it@bucherhydraulics.com)

[www.bucherhydraulics.com](http://www.bucherhydraulics.com)

© 2015 by Bucher Hydraulics S.p.A, I-42124 Reggio Emilia

All rights reserved.

Data is provided for the purpose of product description only, and must not be construed as warranted characteristics in the legal sense. The information does not relieve users from the duty of conducting their own evaluations and tests. Because the products are subject to continual improvement, we reserve the right to amend the product specifications contained in this catalogue.

Classification: 440.405.000