

Rectifier sandwich plate type UZFC 6

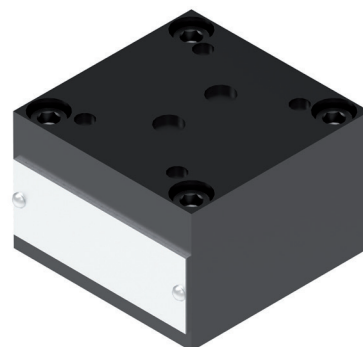
NS 6 | p_{max} 35 MPa | Q_{max} 43 dm³/min | WK 491 980



DATA SHEET - OPERATION MANUAL

APPLICATION

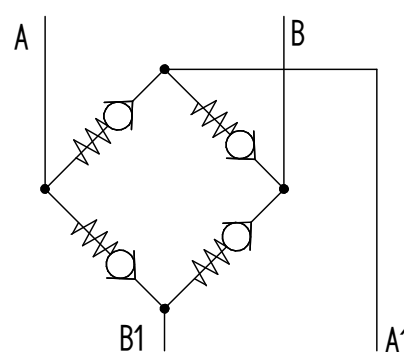
Rectifier sandwich plate **UZFC6...** type is used to set fluid flow direction on outlet from **A** to **B** independent of supply direction on inlet **A1**; **B1**. The plate is mounted under flow control valve type **UDRD6...** according to data sheet **WK 420 020** or equivalent valve with **CETOP 03** connection.



TECHNICAL PARAMETERS

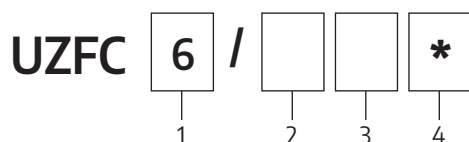
hydraulic fluid	mineral oil
required oil cleanliness class	ISO 4406 class 20/18/15
nominal fluid viscosity	37 mm ² /s at temperature 55°C
viscosity range	2,8 ÷ 380 mm ² /s
fluid temperature range (in the tank)	rec.: 40 ÷ 55°C; max. -20 ÷ +70°C
ambient temperature range	-20 ÷ 70°C
max. working pressure	35 MPa
check valves cracking pressure	0,07 MPa
weight	1,4 kg

HYDRAULIC DIAGRAM



assembly and operation requirements at: www.operating-conditions.ponar.pl

HOW TO ORDER



1 nominal size (NS)

NS6 = **6**

2 series number

series **02** = **02**
(00-09) installation and connection dimensions unchanged

3 sealing

NBR (for fluids on mineral oil base) = **Ø**
FKM (for fluids on phosphate ester base) = **V**

4 further requirements = *

(to be agreed upon with the Manufacturer)

Ø indicates that the box should be left blank. The **symbols in bold** are the preferred versions available in short delivery time.

Coding example:: **UZFC-6/02**

SUBPLATES

Subplates must be ordered in accordance to the type of the subplate, taking into consideration dimensions of threaded connections according to data sheet **WK 496 480**:

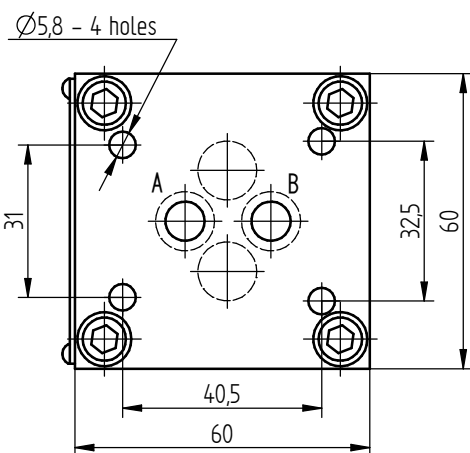
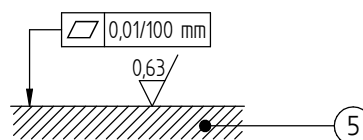
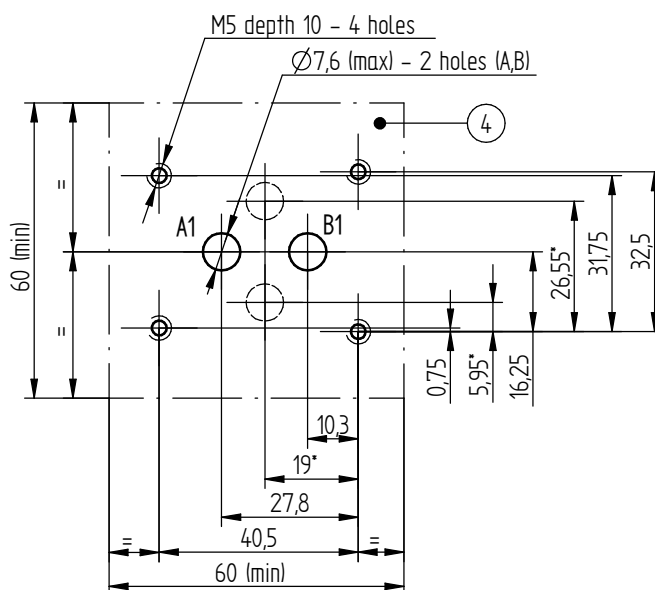
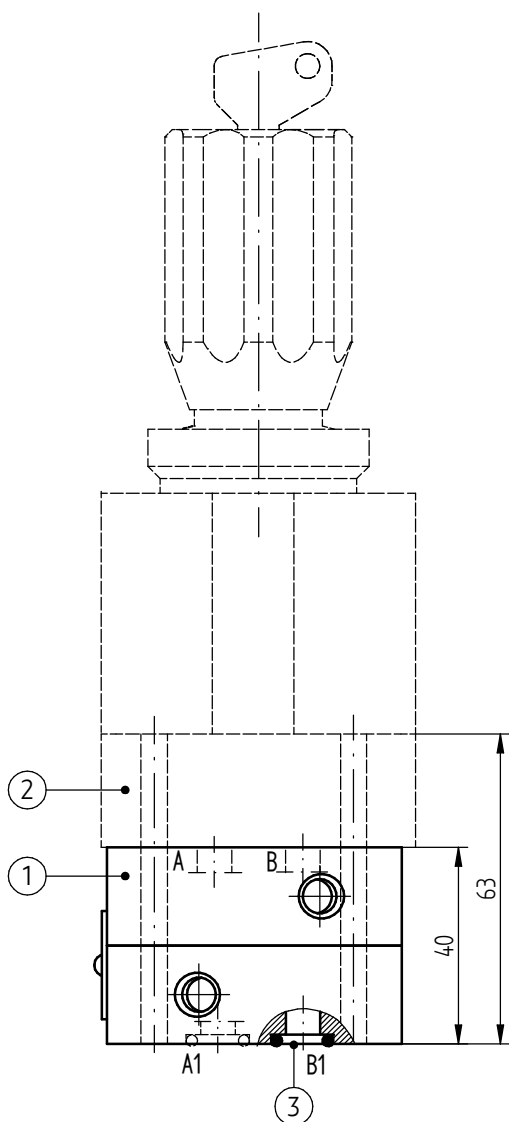
- G 341/01 - threaded connections G ¼
- G 342/01 - threaded connections G ⅜**
- G 502/01 - threaded connections G ½

MOUNTING SCREWS

For mounting rectifier sandwich plate **UZFC6...** and flow control valve **UDRD6...**:

M5 × 70 - 10,9 acc. to PN - EN ISO 4762 (PN/M-82302) 4 pcs/set **delivered on separate order.**

Tightening torque of screws $M_d = 9 \text{ Nm}$.



1. rectifier sandwich plate type **UZFC6...**
2. flow control valve **UDRD6** (see data sheet **WK 420 020**)
3. o-ring **9,2 × 1,8** - 2 pcs/set (**A1, B1**)
4. porting pattern of the subplate compliant with standards:
 - **ISO 4401** designation **ISO 4401-03-02-0-94**
 - **CETOP RP 121H** designation **CETOP 4.2-4-03 (CETOP 03)**

NOTE:

(*) - dimensions related to centers of counterbores (with seal rings pos. 1 - 2 pcs) in the valve body to keep accordance with **CETOP RP 121H, ISO 4401**

5. required surface quality of the valve contact surface

CONTACT

PONAR Wadowice S.A.
 ul. Wojska Polskiego 29
 34-100 Wadowice

tel. +48 33 488 21 00
 www.ponar-wadowice.pl