

# Check valve type UZZB 32

NS 32 |  $p_{max}$  35 MPa |  $Q_{max}$  400 dm<sup>3</sup>/min | WK 450 353



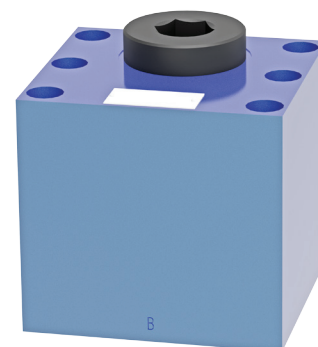
## DATA SHEET - OPERATION MANUAL

### APPLICATION

Check valve **UZZB32...** type is used for closing fluid flow in one direction and opening free flow in the opposite direction. The valve and subplate can be mounted in any position.

### DESCRIPTION OF OPERATION

When fluid flows from **A** to **B**, the pressure moves the poppet **2** pushed by the spring **3** from the seat in the housing **1** opening free flow. The cracking pressure depends from the initial tension of the spring. In the opposite direction from **B** to **A**, the spring and fluid press down the poppet to the seat, closing the flow.



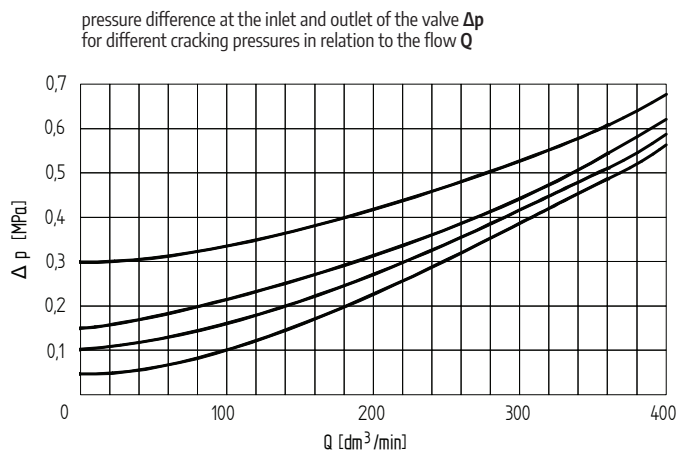
### TECHNICAL PARAMETERS

hydraulic fluid	mineral oil	
required fluid cleanliness class	ISO 4406 class 20/18/15	
nominal fluid viscosity	37 mm <sup>2</sup> /s at temperature 55 °C	
viscosity range	2,8 ÷ 380 mm <sup>2</sup> /s	
fluid temperature range (in tank)	max. -20 ÷ 70 °C; rec. 40 ÷ 55 °C	
ambient temperature range	-20 ÷ 70 °C	
max. working pressure	35 MPa	
cracking pressure	0 MPa (without spring)	0,05 MPa
	0,1 MPa	0,15 MPa
	0,3 MPa	
weight	6,2 kg	

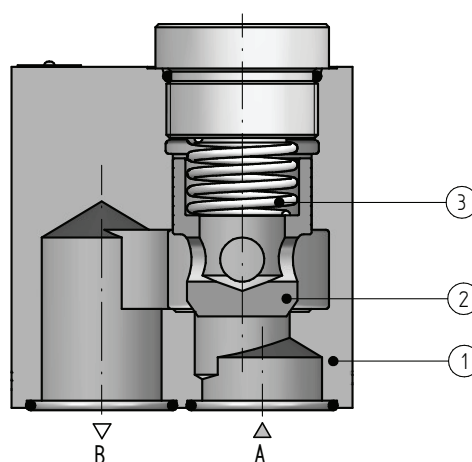
assembly and operation requirements at: [www.operating-conditions.ponar.pl](http://www.operating-conditions.ponar.pl)

### PERFORMANCE CURVES

for fluid viscosity  $\nu = 41 \text{ mm}^2/\text{s}$  and temperature  $t = 50 \text{ }^\circ\text{C}$



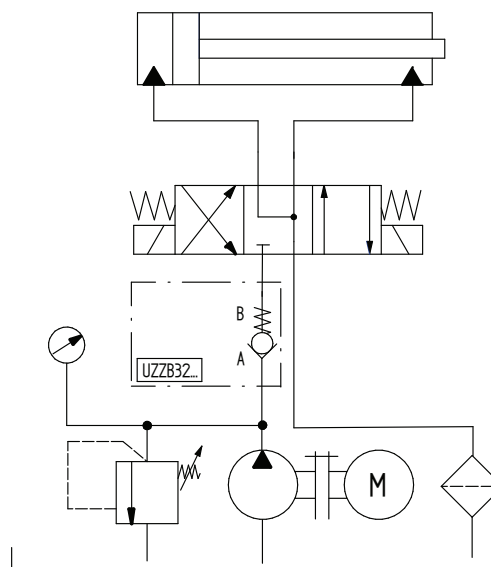
UZZB32-21/05

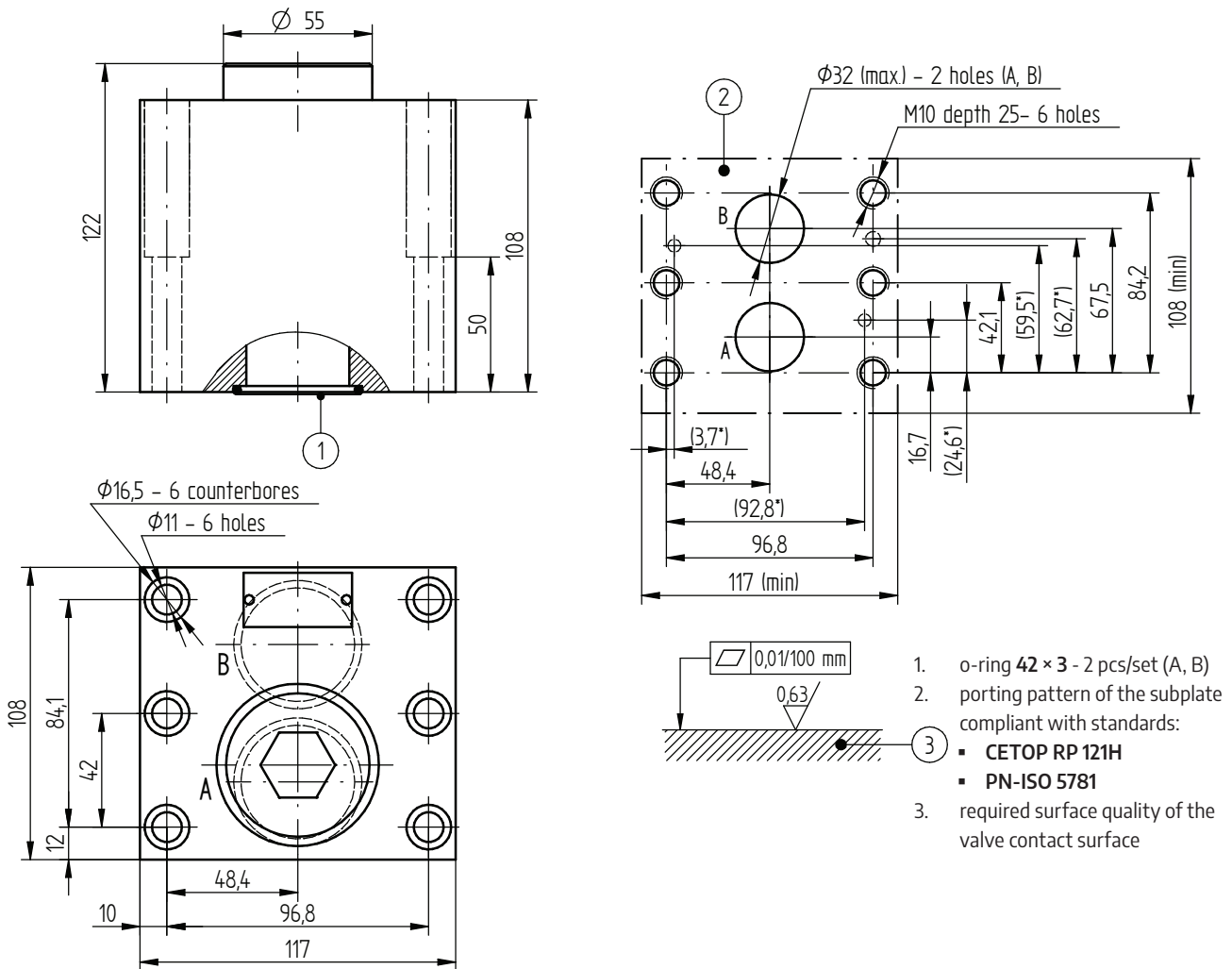


### HYDRAULIC DIAGRAM



### APPLICATION EXAMPLE





1. o-ring 42 × 3 - 2 pcs/set (A, B)
2. porting pattern of the subplate compliant with standards:
  - CETOP RP 121H
  - PN-ISO 5781
3. required surface quality of the valve contact surface

HOW TO ORDER

UZZB **32** -  /    \*

1                    2                    3                    4                    5

**1 nominal size**  
NS32 = 32

**2 series number**  
**series 21 = 21**  
(20 ÷ 29) - connection and installation dimensions unchanged

**3 cracking pressure**  
0 MPa (without spring) = 00  
0,05 MPa = 05  
0,1 MPa = 10  
0,15 MPa = 15  
0,3 MPa = 30

**4 sealing**  
**NBR (for fluids on mineral oil base) = Ø**  
FKM (for fluids on phosphate ester base) = V

**5 further requirements = \***  
(to be agreed upon with the Manufacturer)

Ø indicates that the box should be left blank.  
The **symbols in bold** are the preferred versions available in short delivery time.  
coding example: **UZZB32-21/05**

SUBPLATES AND MOUNTING SCREWS

Subplates should be ordered according to data sheet **WK 470 471**:  
**G415/01** - threaded connection - G1 ½

Subplates and mounting screws for mounting the valve **M10 × 65 - 10.9** acc.to **PN - EN ISO 4762** (PN/M - 82302) - 6 pcs/set **delivered on separate order**.  
Tightening torque of the screws **M<sub>d</sub> = 73 Nm**.

CONTACT

PONAR Wadowice S.A.  
ul. Wojska Polskiego 29  
34-100 Wadowice

tel. +48 33 488 21 00  
www.ponar-wadowice.pl